

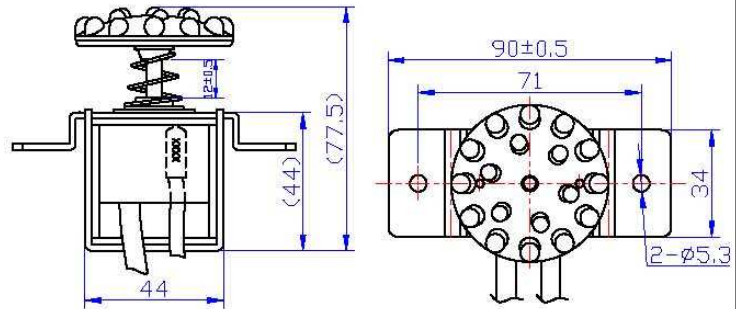


DSU1444L/S open frame solenoids

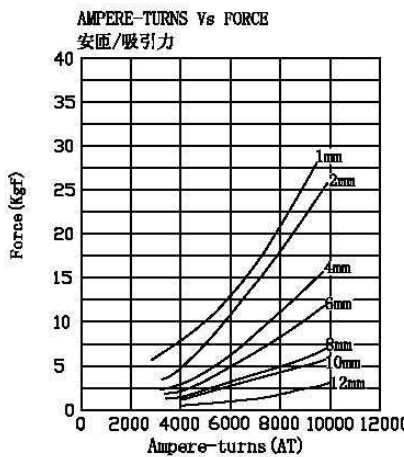


总重量 Total Weight: 380g
应用范围: 用于按摩椅、按摩垫等
APPLICATION: Massage Chair, Massage Pillow

类型: 推式 TYPE: PUSH

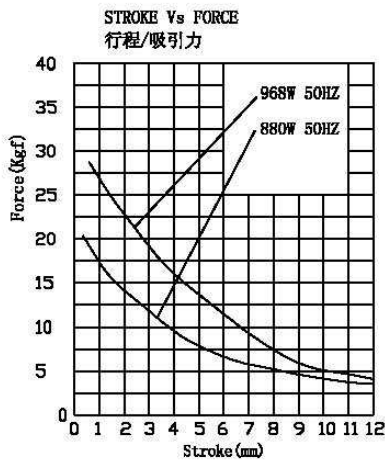


单位:mm Units:mm



综合特性
GENERAL FEATURES

- 力量: 保持力不低于4.5Kg
FORCE: THE HOLDING FORCE IS NOT WEAKER THAN 4.5Kg
- 行程: 0~12mm
STROKE: 0~12mm
- 温升: 最大100℃
TEMPERATURE RISE: MBST 100 deg
- 寿命: 典型值为100万次(连续)
LIFE: REPETITIVE OPERATION FOR 1MILLION CYCLE (CONTINUOUS)
- 噪音: 空载条件下, 噪音小于60dB
NOISE: EMPYT LOAD, THE NOISE IS LOWER THAN 60 dB
- 频率: 50/60Hz
FREQUENCY: 50/60Hz



COIL DATA线圈资料

Duty cycle (%) = $\frac{\text{"ON" time}}{\text{"ON" time} + \text{"OFF" time}} \times 100\%$		连续 Continuous	间断 Intermittent		
工作周期 (%) = $\frac{\text{工作时间}}{\text{工作时间} + \text{断开时间}} \times 100\%$		100%	50%	25%	10%
MAX. "on" time in seconds 最大工作时间(秒)					
温控器控制温度(°C)		120° C			
频率(Hz)		50			
Type no.	Resistance (20°C) Ω±10%	No. Turns	Volts DC 电压		
型号	阻值(Ω) ±10%	线圈匝数			
DSU1444L/S	12.5	1320	110		
	55	2730	220		