

BF&M-BEST FAN MOTOR

BFM-MOTOR.COM

BF1238 (120×120×38mm)

General Specifications

Motor Protection:

Auto Restart/Polarity Protection

Insulation Resistance: 10M Ω or over with a DC500V Megger

Dielectric Withstand Voltage: AC700V 1s

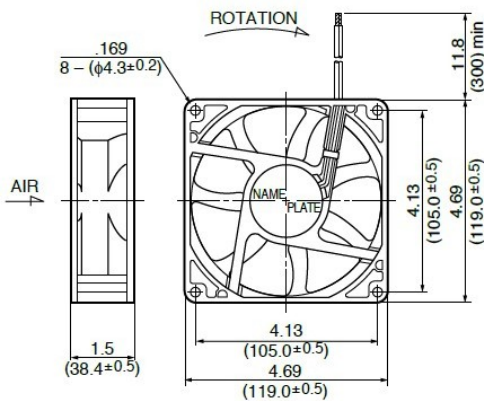
Allowable Ambient Temperature Range:

-10°C ~ +60°C (Operating)

-40°C ~ +70°C (Storage)

(non-condensing environment)

Dimensions



Material

Casing : Plastic(Black)94V-0

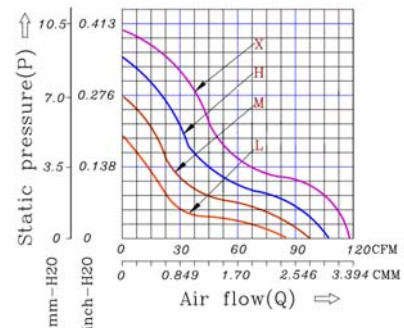
Impeller : plastic(Black)94V-0

Bearing : Ball Bearing

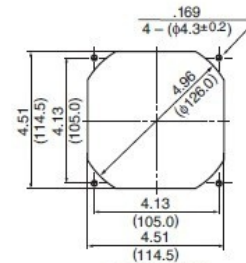
Lead Wire : UL1007,AWG24, + Red, - Black

Specifications

Performance Curve



Panel Cut-outs



| Part Number | Voltage | Current (Amp.) | Power (Watts) | Speed (RPM) | Air Flow | | Pressure | | Noise (dBA) | Weight (g) |
|--------------|----------------|-------------------|------------------|----------------|----------|-----------------------|----------|-----------------------|----------------|---------------|
| | (VDC) | | | | (CFM) | (m ³ /min) | (mmAq) | (In H ₂ O) | | |
| BF1238B12X-7 | 12 (8~13.8) | 0.70 | 8.40 | 3200 | 118.42 | 3.35 | 10.25 | 0.40 | 47 | 260 |
| BF1238B12H-7 | | 0.55 | 6.60 | 2950 | 108.52 | 3.07 | 8.71 | 0.34 | 43 | |
| BF1238B12M-7 | | 0.40 | 4.80 | 2650 | 97.21 | 2.75 | 7.03 | 0.28 | 41 | |
| BF1238B12L-7 | | 0.27 | 3.24 | 2300 | 83.78 | 2.37 | 5.3 | 0.21 | 37 | |
| BF1238B24X-7 | 24 (15~27) | 0.35 | 8.40 | 3200 | 118.42 | 3.34 | 10.25 | 0.40 | 47 | 260 |
| BF1238B24H-7 | | 0.31 | 7.44 | 2950 | 108.52 | 3.07 | 8.71 | 0.34 | 43 | |
| BF1238B24M-7 | | 0.21 | 5.04 | 2650 | 97.21 | 2.75 | 7.03 | 0.28 | 41 | |
| BF1238B24L-7 | | 0.15 | 3.60 | 2300 | 83.78 | 2.37 | 5.3 | 0.21 | 37 | |
| BF1238B48X-7 | 48 (30~57) | 0.20 | 9.60 | 3200 | 118.42 | 3.34 | 10.25 | 0.40 | 47 | 260 |
| BF1238B48H-7 | | 0.16 | 7.68 | 2950 | 108.52 | 3.07 | 8.71 | 0.34 | 43 | |
| BF1238B48M-7 | | 0.11 | 5.28 | 2650 | 97.21 | 2.75 | 7.03 | 0.28 | 41 | |
| BF1238B48L-7 | | 0.08 | 3.84 | 2300 | 83.78 | 2.37 | 5.3 | 0.21 | 37 | |

product specification contained herein may be changed without prior notice