

## Part Number Guide

T-V-FF.FFFM -FS-OT-Pu-TR-S

T (Type型号): V=5x7 SMD VCXO

V (Input Voltage输入电压): 3=3.3V 5=5.0V, etc

F (Frequency标称频率): Normal - 5 digitals of Frequency, e.g. 8.0000M, 12.000M  
Special - All digitals of Frequency, e.g. 13.225625M

FS (Frequency Stability总频差): 50=±50 ppm, etc

OT (Operating Temperature工作温度): 0070=0°C to +70°C 4085=-40°C to +85°C, etc

Pu (Pullability): 100=100ppm, etc

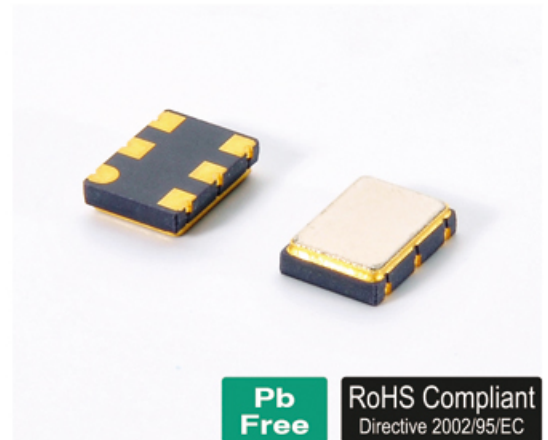
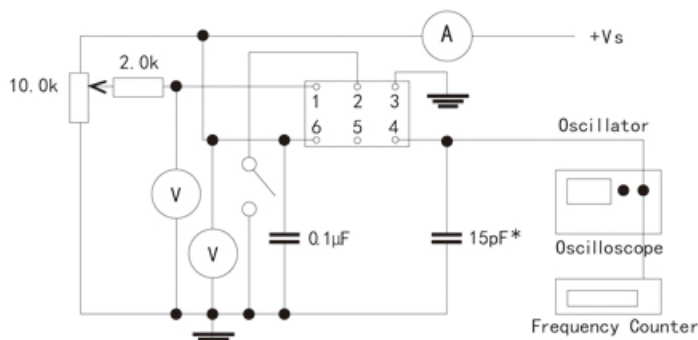
TR (Tape and Reel编带)

S (Special Requirement特殊要求)

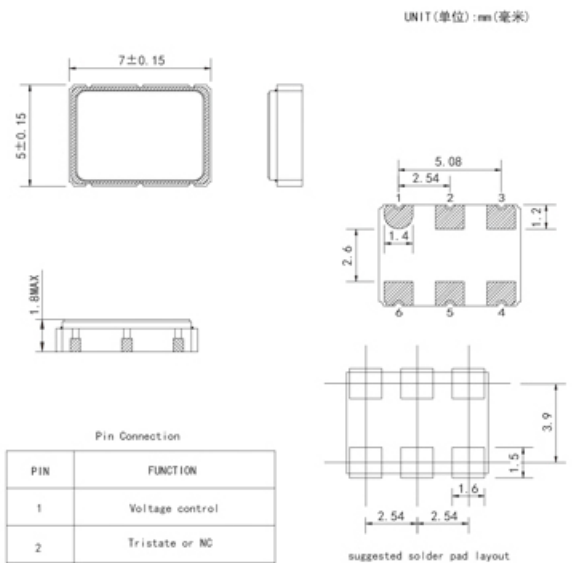
## Electrical Specifications 电气参数

型号	Holder Type	5x7mm SMD VCXO			
频率范围	Frequency Range	F	1,000 to 80,000	80,000 to 250,00	MHz
总频差	Frequency Stability	$\Delta F/F$	±25 to ±50		ppm
输入电压	Input Voltage	Vdd	5.0 or 3.3 ± 10%	3.3 ± 10%	V
控制电压	Control Voltage	Vc	1.65 ± 1.5 or 2.5 ± 2.25	1.65 ± 1.5	V
输入电流	Input Current	Idd	20 Max	35 Max	mA
工作温度范围	Operating Temperature		-10 ~ +60 to -40 ~ +85		°C
贮存温度范围	Storage Temperature		-40 ~ +85 / -55 ~ +125		°C
上升/下降时间	Rise/Fall Time	Tr/Tf	6 Max		ns
占空比	Duty Cycle		40/60 Standard		
线性	Linearity		10% Max		
牵引量	Pullability		±50 ~ ±100		ppm
相位噪声	Phase Noise		-140dBc/Hz@1KHz	-120dBc/Hz@1KHz	
抖动	Rms Jitter (12KHz to 20MHz)		1 Max	2.5 typ	Ps
典型频率	Typical Frequency		2.048 16.384 32.768 61.44 70.656 77.76	125 155.52 156.25 200	MHz

## Test Circuit 测试电路



## Mechanical Dimensions 外型尺寸



## Reflow Condition 回流焊条件

