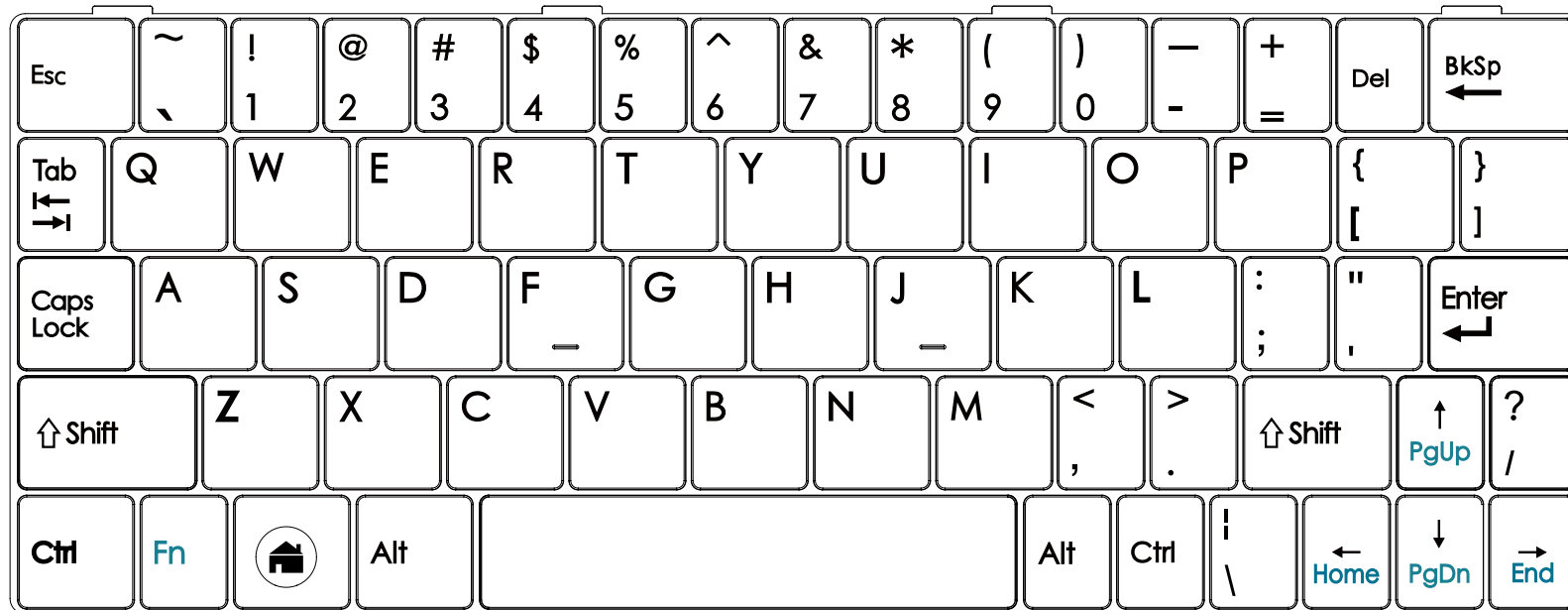


DETAIL "Membrane tail"  
SCALE 2:1


- NOTE:
1. Keyboard height: 4.8±0.2mm  
Travel: 2.0±0.2mm
  2. Metal Base: Al t=0.5mm

MATERIAL	APPROVALS	DATE	<b>BTC</b> <sup>®</sup> BEHAVIOR TECH COMPUTER CORP.	
COLOR	DRAWN	P.C. Wang	TITLE	210X80mm US Shape
FINISH	CHECKED		FILE NAME	210X80mm_US_Shape
TOLERANCE:	APPROVED	Andy_Lee	DWG. NO.	CONTRACT NO.
.X	±		SCALE	1:1
.XX	±		UNITS	mm
ANGLE	±		REV.	E03
			DO NOT SCALE DRAWING	SHEET
				OF

# 7210 US LAYOUT

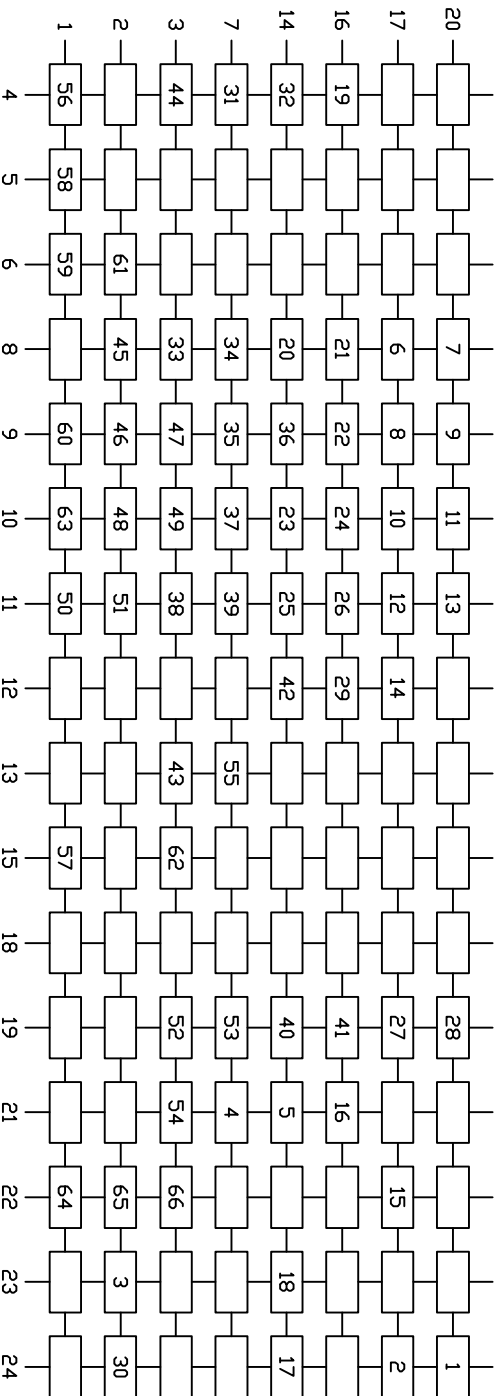
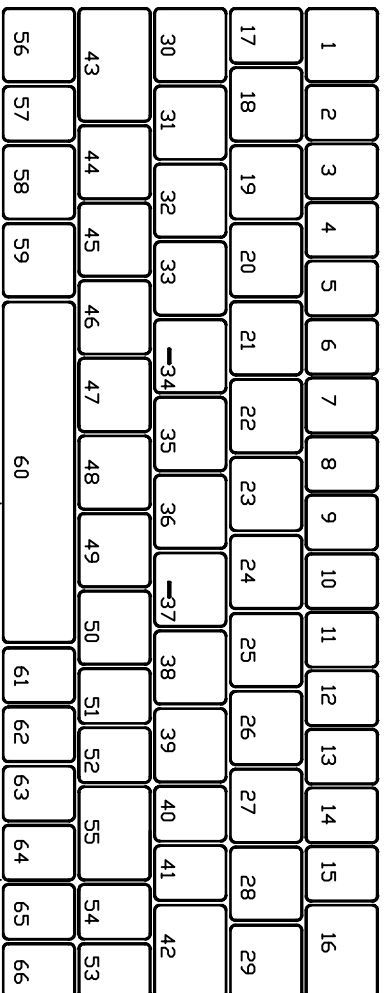


**NOTE:**

1.  Keycaps Color: 1292A Black.
2. **PgDn PgUp Home End Fn** Is Silk: 313C.
3. The Others Is Silk PMS: 420C light Gray.

REV	ZONE	DESCRIPTION	DATE	APPROVED
UNLESS OTHERWISE SPECIFIED: DIMENSION ARE IN MILLIMETERS		<b>BTC</b> <sup>®</sup> BEHAVIOR TECH COMPUTER CORP.		
TOLERANCE:		CONTRACT NO. 7210 US LAYOUT		
.X	±	TITE BLACK		
.X	±	LANGUAGE TYPE <b>US</b>		
.XX	±	APPD. Andy	DWG NO.	<b>XXX</b>
ANGLE	±	CHKD. PC_Wang	SCALE 1:1	REV. X1
MATERIAL		FINISH	DR. Sky	DATE: 2009. .14
PSR: 08111515				

PART NO.	DESCRIPTION	MATERIAL



MATERIAL	PET	APPROVALS	DATE
COLOR	DRAWN	P.C. Wang	
FINISH	CHECKED		
TOLERANCE:	APPROVED	Andy Lee	
.X ±	PROJECTION		
.XX ±			
ANGLE ±			
TITLE <b>BTC</b> BEHAVIOR TECH COMPUTER CORP.		SCALE	1:1
FILE NAME 210X80mm_US_Matrix		UNIT	mm
DWG. NO.		CONTRACT NO.	REV. E03
DO NOT SCALE DRAWING		SHEET	OF