

Part Number Guide

T-FF.FFFK-LC-FT-OT-ESR-TR-S

T (Type型号): W=3x8 Tuning Fork

F (Frequency标称频率)

LC (Load Capacitance负载电容): 12.5=12.5pf 00=series, etc

FT (Frequency Tolerance调整频差): 30=±30 ppm, etc

OT (Operating Temperature工作温度): 1060=-10°C to +60°C 4085=-40°C to +85°C, etc

ESR (Equivalent Series Resistance等效阻抗)

TR (Tape and Reel编带)

S (Special Requirement特殊要求)

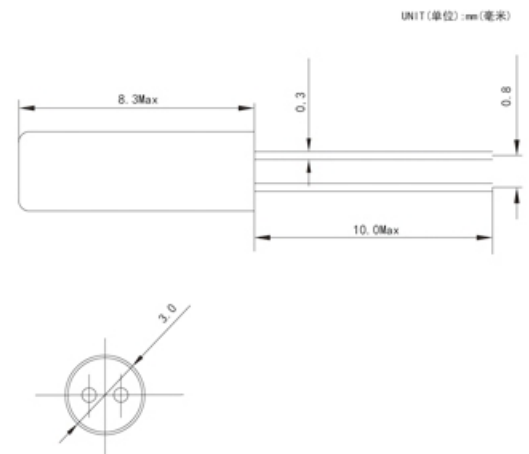
Electrical Specifications 电气参数

型号	Holder Type	Turning Fork 308(KHZ)
频率范围	Frequency Range	30,000KHz to 100,00KHz
调整频差	Frequency Tolerance (ΔF) (at 25°C)	±10ppm to ±100ppm
频率温度系数	Parabolic curvature constant	$[-0.035 \pm 0.01] \text{ppm}/^\circ\text{C}^2$
工作温度范围	Operating Temperature Range	-10°C ~ +60°C to -40°C ~ +85°C
老化	Aging (at 25°C)	±5ppm/year Maximum
保存温度范围	Storage Temperature Range	-40°C to +85°C
静电容	Shunt Capacitance (C0)	1.75pF Typical
动电容	Motional Capacitance (C1)	3.5fF Typical
激励功率	Drive Level	1μW Maximum
绝缘阻抗	Insulation Resistance (Rs)	500 Megaohms Minimum at D.C 100V
负载电容	Load Capacitance (CL)	Suggested by customer



Pb Free **RoHS Compliant**
Directive 2002/95/EC

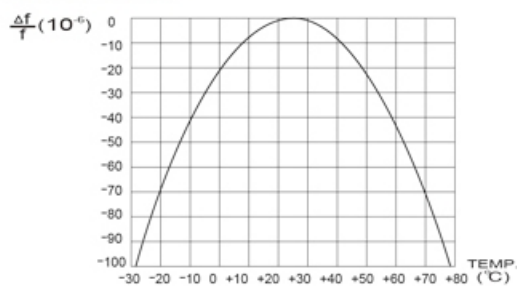
Mechanical Dimensions 外型尺寸



Equivalent Series Resistance and Mode of Operation 等效阻抗和振荡模式

Frequency Range 频率范围	ESR (Ω) 等效阻抗
30,000 - 40,000KHz	40KMax
40,000 - 100,00KHz	30KMax

Frequency vs. Temperature Curve 频率温度曲线



Reflow Condition 回流焊条件

