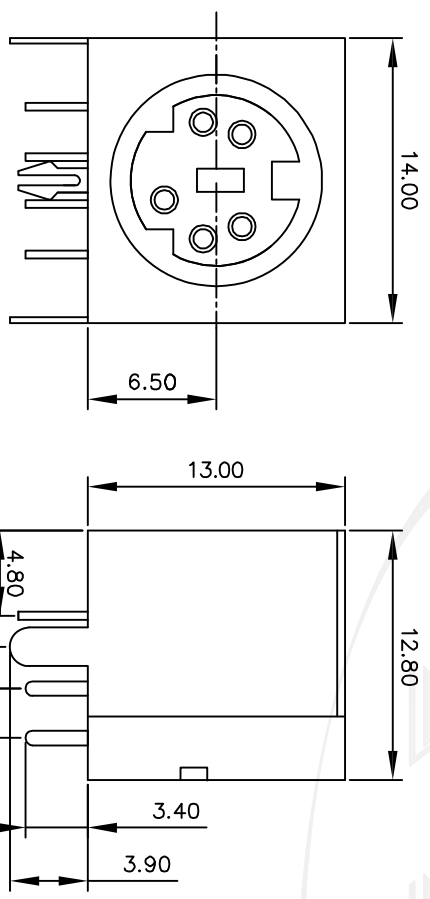


Rev No	Revision note	Date	Signature	Checked
A/0				

Circuits	3	4	5	6	7	8
Arrangement of Contact						
P.C Board Layout						
Tolerance	.X ±0.10 .XX ±0.05					



6701-XXXX

X110

- | | |
|------------------|-----------|
| Contract Plating | Color |
| G0=Gold Flash | Insulator |
| G1=3u" Gold | B=Black |
| G2=6u" Gold | W=White |
| G3=10u" Gold | U=Blue |
| G4=15u" Gold | R=Red |
| G5=30u" Gold | Y=Yellow |
| S0=GoldFlash/Tin | G=Grey |
| S1=3u" Gold/Tin | |
| S2=5u" Gold/Tin | |
| S3=10u" Gold/Tin | |
| S4=15u" Gold/Tin | |
| S5=30u" Gold/Tin | |
| SN=1in | |

NOTES:

Electrical

Rated Load: DC 30V 0.5A
 Contact Resistance: 0.03Milliohms Max
 Insulation Resistance: 100Megohms Min
 Dielectric Withstanding Voltage: 250V AC (50Hz) 1 Minute
 Operation Temperature: -25°C~+70°C

Mechanical
 Contact Material: Brass
 Contact Plating: Au or Sn Over Ni
 Insulator Material: PBT (UL94V-0)
 Actuating Force: 5-30N
 Life: 1000 Once

THIS DRAWING IS A CONTROLLED DOCUMENT

DIMENSIONS INCHES	TOLERANCES UNLESS OTHERWISE SPECIFIED
0 PLC ±	—
1 PLC ±	0.20
2 PLC ±	0.25
3 PLC ±	0.30
4 PLC ±	± 3°



YTCO TECHNOLOGY
 HTTP://WWW.YTCO.CO

DATE	DATE	TITLE	DRAWING NO.	SHEET	REV
OCT. 05. 2006	OCT. 05. 2006	MINI DIN Female All MetalShell 90° DIP	YT-6701R11	1 OF 1	A
DATE	DATE	TITLE	DRAWING NO.	SHEET	REV
OCT. 05. 2006	OCT. 05. 2006	6701-XXXXX110	YT-6701R11	1 OF 1	A
DATE	DATE	TITLE	DRAWING NO.	SHEET	REV
OCT. 05. 2006	OCT. 05. 2006	6701-XXXXX110	YT-6701R11	1 OF 1	A