

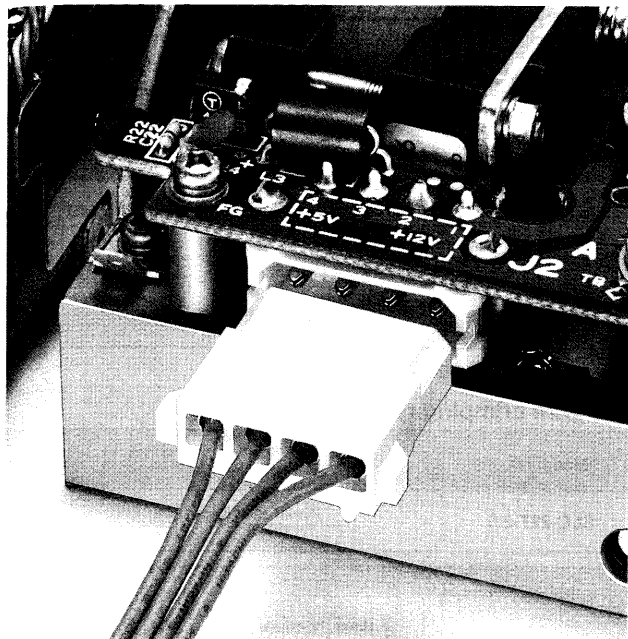
JST

Crimp

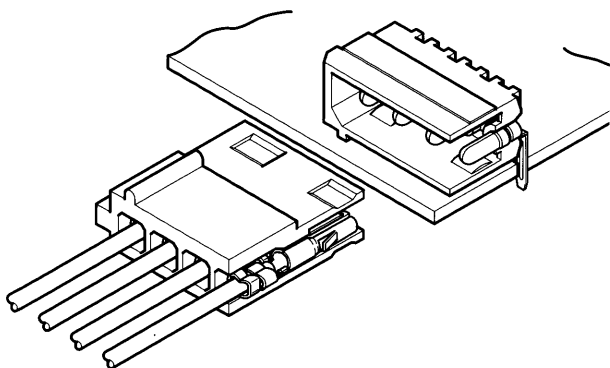
5.08mm
(.200") pitch

LC CONNECTOR

Disconnectable Crimp style connectors



This reliable, low cost connector is suited for bringing power to printed circuit boards in office automation equipment. A major application has been in secondary power supply circuits of floppy disk drives.



Features

- **Anti-misinsertion feature**

The plug and header are polarized, thus preventing misinsertion of the connector.

- **Self-locking housing clamp**

The self-locking housing clamp for the header ensures easy handling and sturdy mounting.

- **Two kinds of headers**

Type A and B headers are available to match the mounting direction of your printed circuit boards.


- **Two-wire crimp style contact**

Two-wire crimp contacts which facilitate branch connections and internal jumpering are available.

Specifications

- Current rating: 7.0A AC, DC (AWG #18)
- Voltage rating: 250V AC, DC
- Temperature range: -25°C to +90°C
(including temperature rise in applying electrical current)
- Contact resistance: Initial value/10mΩ max.
After environmental testing/20mΩ max.
- Insulation resistance: 1,000MΩ min.
- Applicable wire: AWG #22 to #18
- Applicable PC board thickness: 1.6mm(.063")
- Number of circuits: 4
- * Contact JST for details.

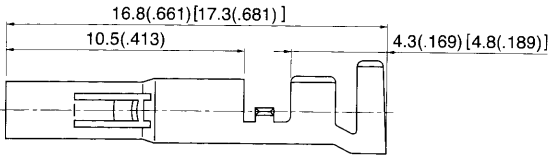
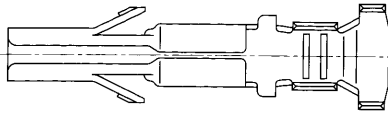
Standards

 Recognized E60389

 Certified LR20812

LC CONNECTOR

Contact



Dimensions in [] apply to the SLC-22T-2.0 two-wire crimping type.

One-wire crimping type

Model No.	Applicable wire			Q'ty / reel
	mm ²	AWG #	Insulation O.D. mm(in.)	
SLC-21T-2.0	0.3 to 0.75	22 to 18	1.7 to 2.1(.067 to .083)	4,000

Material and Finish

Brass, tin-plated

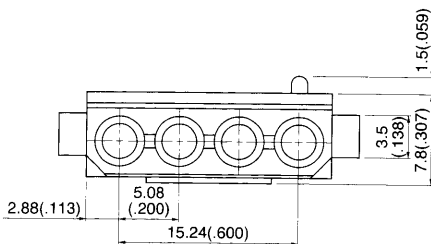
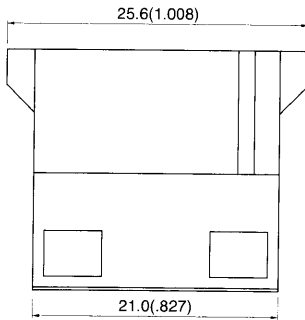
Two-wire crimping type

Model No.	Combination of applicable wires UL1007 AWG #	Q'ty / reel
SLC-22T-2.0	20+20, 20+18, 18+18	3,000

Material and Finish

Brass, tin-plated

Housing



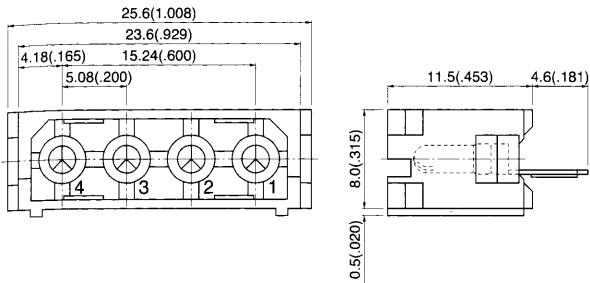
Model No.	Q'ty / box
LCP-04	500

Material

Nylon 6, UL94V-0, natural (white)

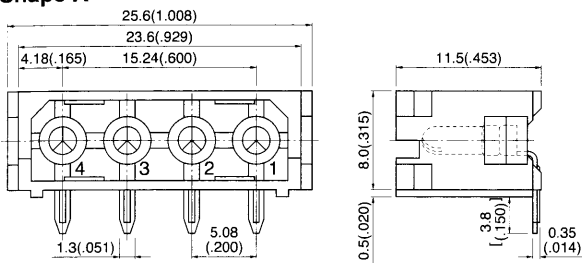
Shrouded header

Top entry type

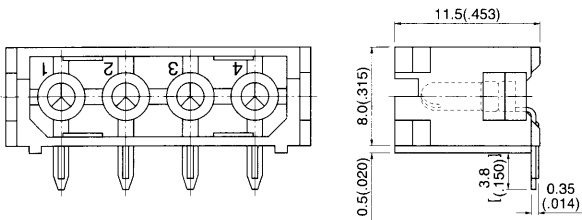


Side entry type

Shape A



Shape B



Top entry type

Model No.	Q'ty / box
LC-04T	100

Material and Finish

Contact: Brass, copper-undercoated, tin-plated
Housing: Nylon 66, UL94V-0, natural (white)

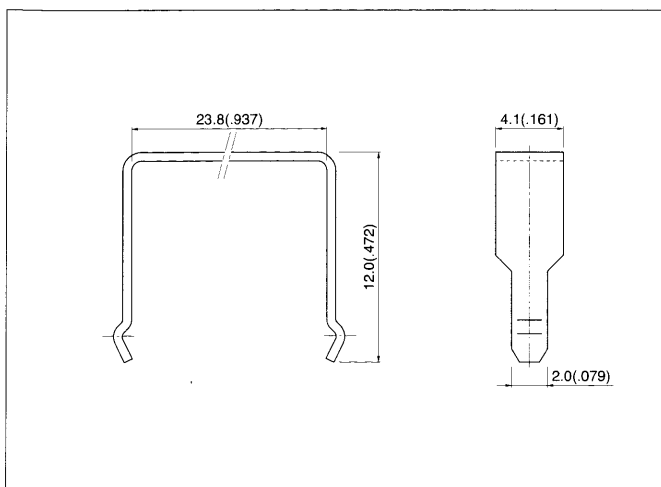
Side entry type

Shape	Model No.	Q'ty / box
A	LC-04A	100
B	LC-04B	

Material and Finish

Contact: Brass, copper-undercoated, tin-plated
Housing: Nylon 66, UL94V-0, natural (white)

Housing clamp



Model No.	Q'ty / box
LCC-04	500

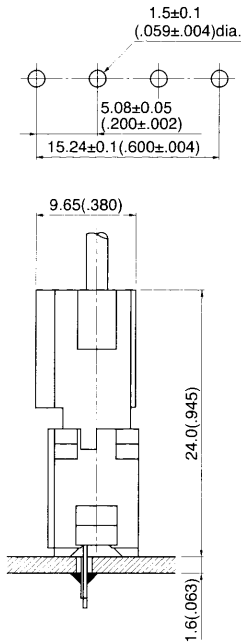
Material and Finish

Brass, copper-undercoated, tin-plated

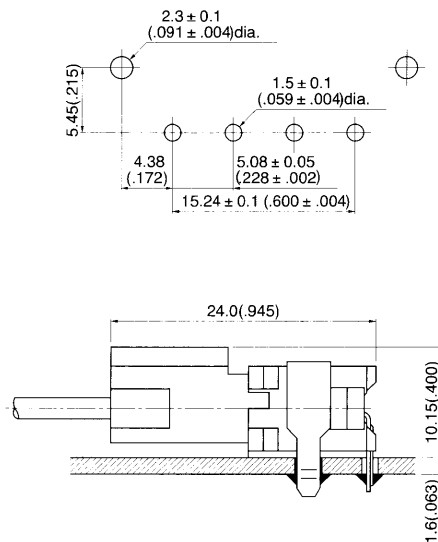
LC CONNECTOR

PC board layout (viewed from component side) and Assembly layout

Top entry type



Side entry type



Note:

1. Tolerances are non-cumulative: $\pm 0.05\text{mm}$ ($\pm .002''$) for all centers.
2. Hole dimensions differ according to the kind of PC board and piercing method. The dimensions above should serve as a guideline. Contact JST for details.