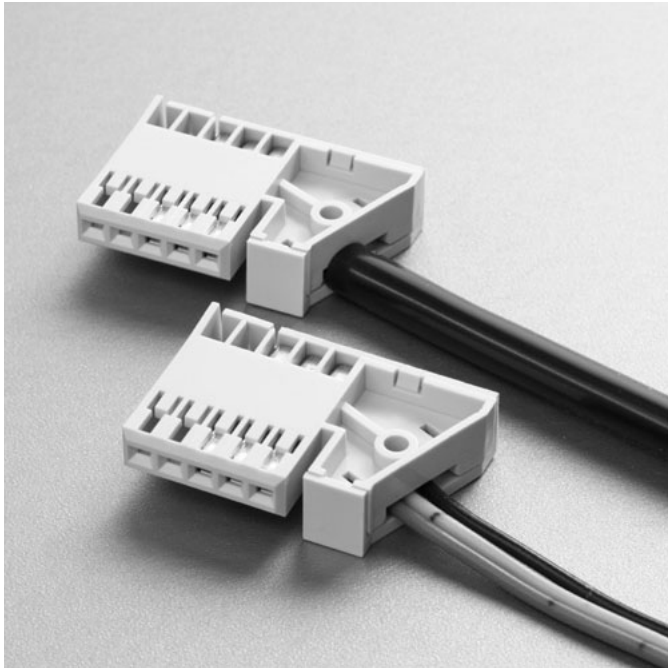


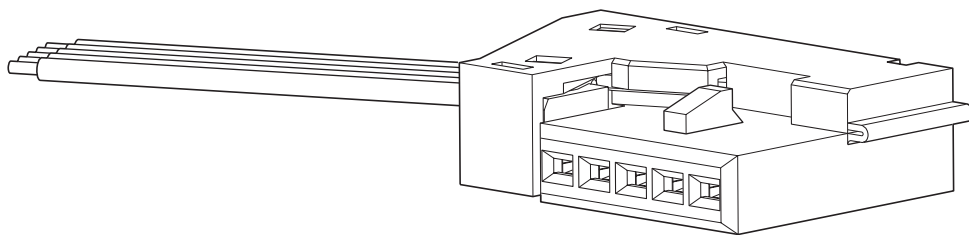
PFW CONNECTOR



This connector has versatile terminal and is used for top column module.

Features

- Versatile Terminal : Crimping or Soldered FFC
- Top column Module

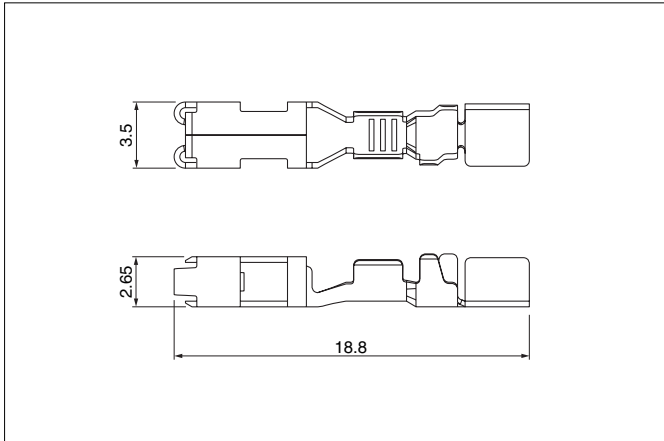


Specifications

- Current rating: 5A AC, DC (0.5mm²)
- Voltage rating: 14V DC
- Temperature range: -40°C to +85°C
(including temperature rise in applying electrical current)
- Insulation resistance: 100MΩ min.
- Withstanding voltage: 1,000V AC/minute
- Applicable wire: 0.5mm²

- * Compliant with ELV/RoHS.
- * Contact JST for details.

Female terminal

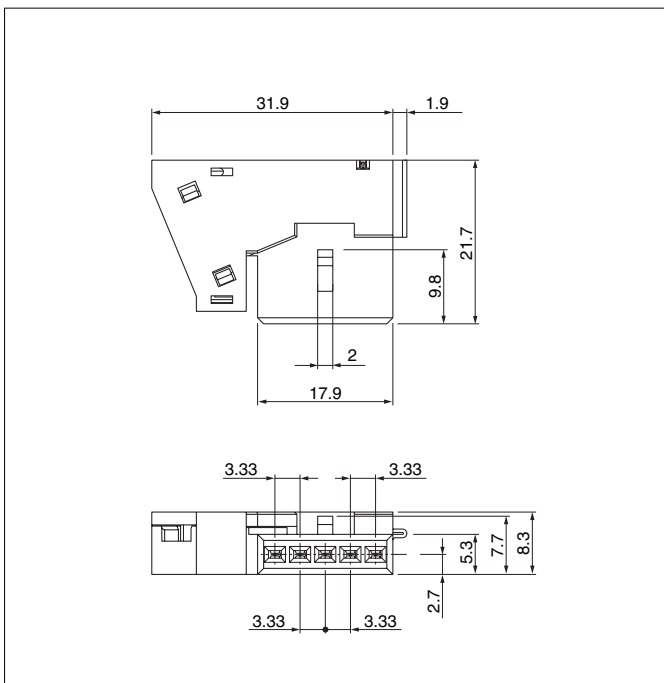


| Model No. | Applicable wire range | | Q'ty/reel |
|--------------------|------------------------------|----------------------|-----------|
| | Conductor (mm ²) | Insulation O.D. (mm) | |
| SPFW-03T-PW | 0.5 | 1.4 to 1.8 | 7,000 |

Material and Finish

Copper alloy, selective tin-plated

Female connector



| Circuits | Model No. | Q'ty/box |
|----------|------------------|----------|
| 5 | PFWR-05-H | 1,000 |

Material

PA 66, UL94V-0, gray

Crimping machine, Applicator

| Strip terminal | Crimping machine | Crimp applicator MKS-L | |
|--------------------|------------------|------------------------|----------------------------|
| | | Dies | Crimp applicator with dies |
| SPFW-03T-PW | AP-K2N | MK/SPFW-03-PW | APLMK SPFW03-PW |

Note: When crimping operation is conducted using an applicator and die set other than the above, JST cannot guarantee the performance of the terminal.