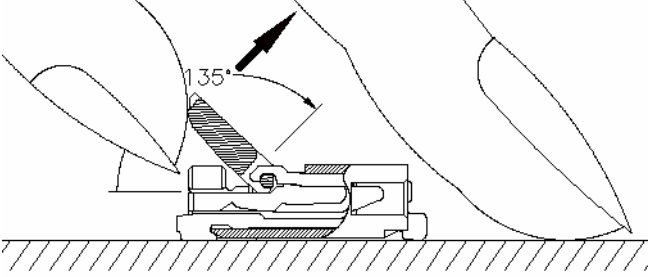
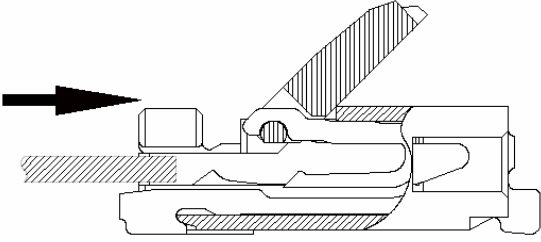
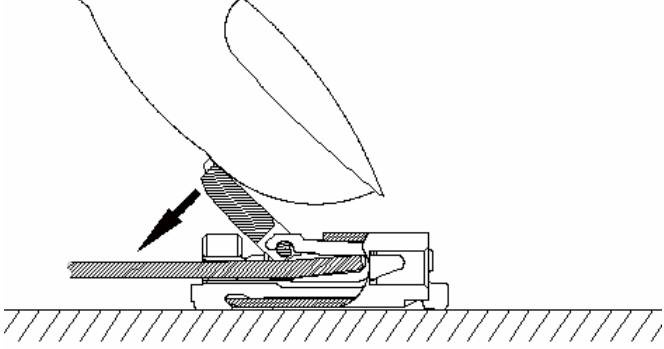
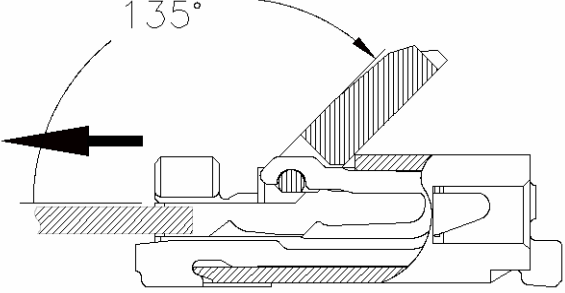
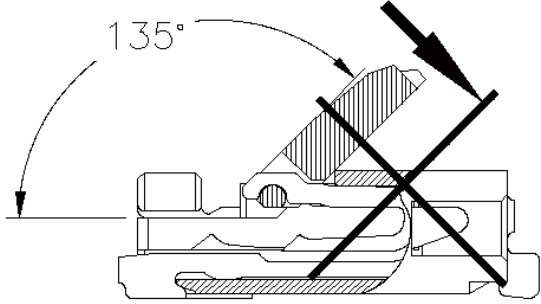
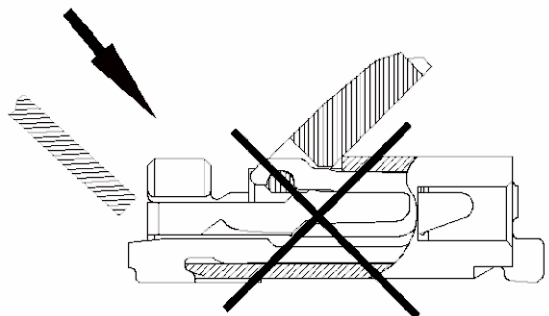
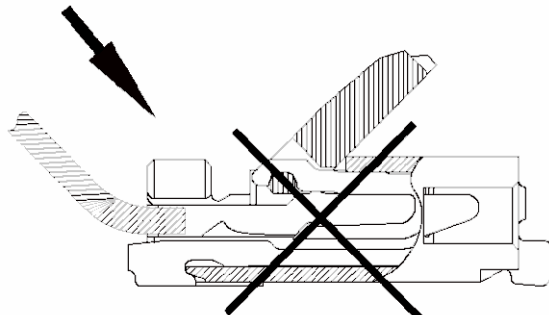
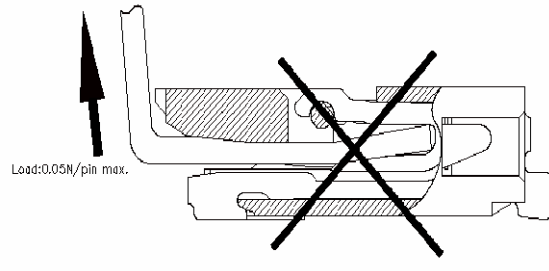
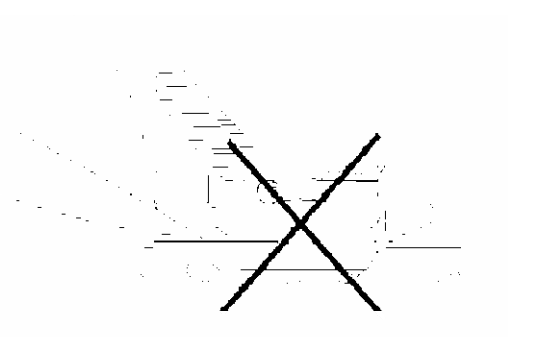
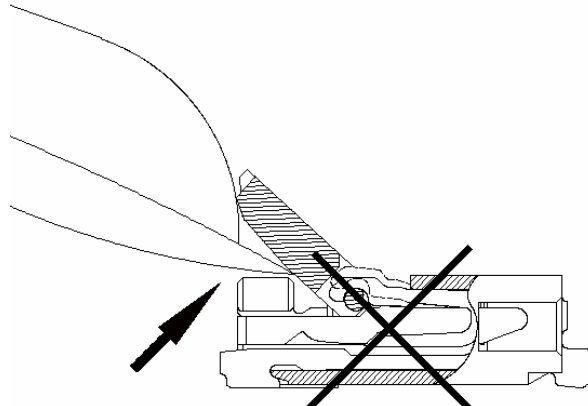


FPC Connector 0.3mm Pitch C	<h2>Product Specification</h2>	Issued Date 2010-08-21
--------------------------------	--------------------------------	---------------------------

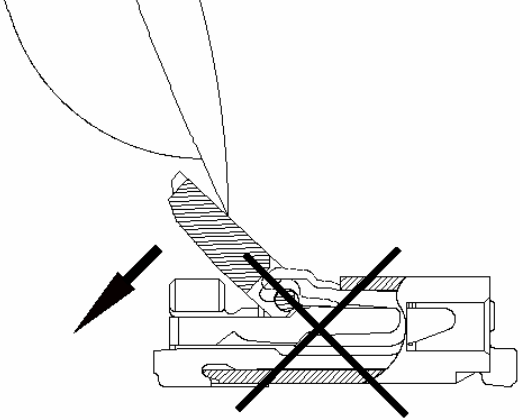
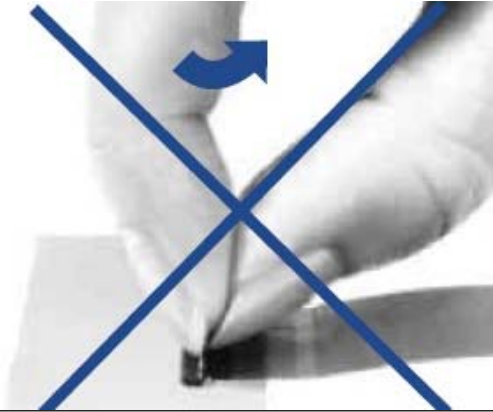
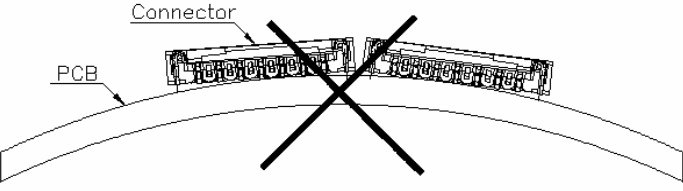
10. 操作指示 Instruction upon usage

<p>步骤 1: Joining step 1: 使用拇指或食指, 将上盖往上掀开。 Use the thumb or the forefinger, raise the top cover up.</p>	
<p>步骤 2: Joining step 2: FPC 导电处朝下, 平行的插入连接器中。 FPC gets along with conductivity down. The parallel one inserts it in the connector .</p>	
<p>步骤 3: Joining step 3: 轻压上盖往下旋转至定位, 直到 FPC 完全插入且没有移动。 Press the top cover lightly and rotate down to make a reservation , until FPC is totally inserted and not moved .</p>	
<p>步骤 4: Joining step 4: FPC removal FPC 退出 小心掀起上盖, 将 FPC 退出。 Lift the top cover carefully, withdraw FPC from .</p>	
<p>警告 Warning!! 旋转的角度不可大于 135 度。 The whirling angle can't be greater than 135 degrees.</p>	

FPC Connector 0.3mm Pitch C	<h2>Product Specification</h2>	Issued Date 2010-08-21
--------------------------------	--------------------------------	---------------------------

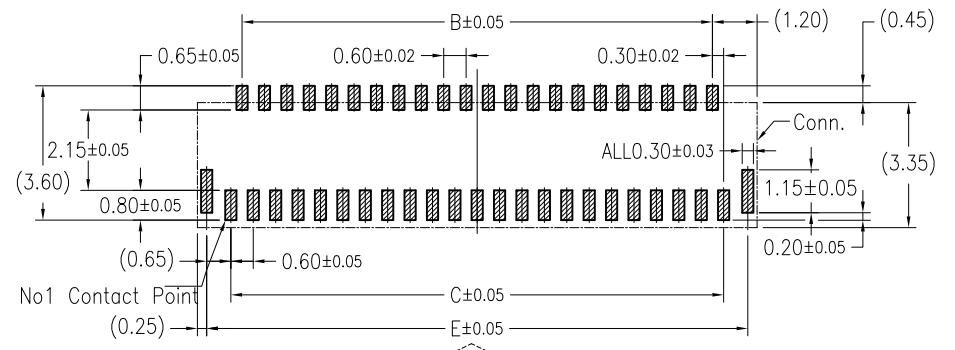
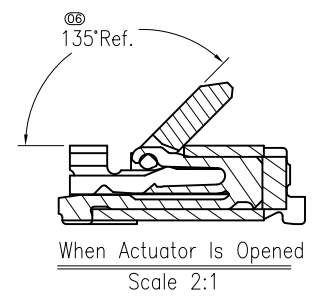
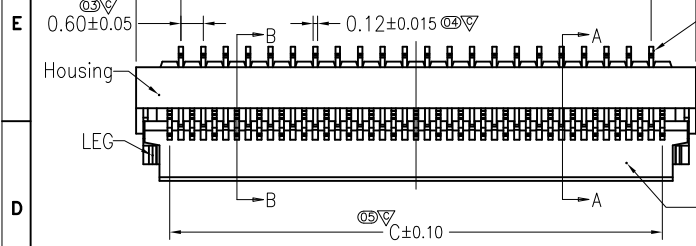
<p>警告 Warning!! 當 FPC 插入的角度偏斜時可能會引起導通不良 When the angle that FPC inserts in is askew, may cause and lead openly and badly .</p>	
<p>警告 Warning!! 當 FPC 插入的角度偏斜時可能會引起導通不良 When the angle that FPC inserts in is askew, may cause and lead openly and badly .</p>	
<p>警告 Warning!! 向上拉扯的力量不要超過 0.05N/pin max. The strength of dragging upwards don't exceed 0.05N/pin max .</p>	
<p>警告 Warning!! 開啓連接器掀蓋時，不要使用過度的 力量及避免 接觸到端子。 covering , don't use excessive strength and avoid touching the end son .</p>	
<p>警告 Warning!! 當在開啓 FPC 時，不要使用過度的力量及避免接 觸到端子。 Don't use excessive strength and avoid touching the end son when open FPC.</p>	

FPC Connector 0.3mm Pitch C	<h2>Product Specification</h2>	Issued Date 2010-08-21
--------------------------------	--------------------------------	---------------------------

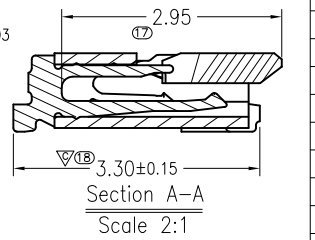
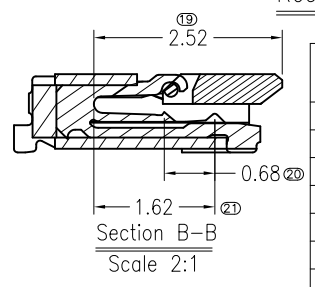
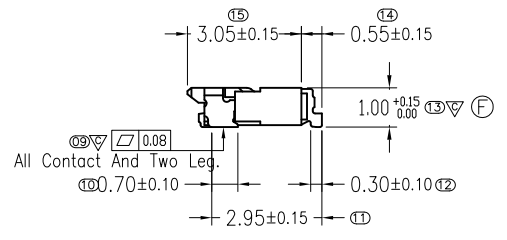
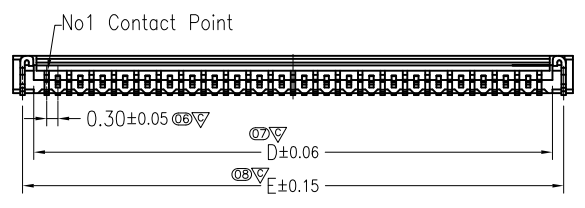
<p>警告 Warning!! 施壓的力量，應該要平均。 The strength of exerting pressure should be average. 如圖所示，不要試著做移動或重新確定蓋子位置 As illustrated, do not attempt removal or re-positioning of the actuator.</p>	
<p>警告 Warning!! 掀蓋的面積，應該要平均。 Lift the area overlayed, should be average. 如圖所示，不要試著做移動或重新確定蓋子位置 As illustrated, do not attempt removal or re-positioning of the actuator.</p>	
<p>警告 Warning!! PCB 板平整度必須在 0.1mm max. The roughness of PCB board must be in 0.1mm max.</p>	

RoHS

REV.	ECN.NO	DATE	SIGN	DESCRIPTION
D		5/19'10	SC.Zhang	Modify DIM No"7" D _{0.08} Change D±0.06
E	201007003	7/19'10	SC.Zhang	1. Modify DIM No"1" "2" "14" TOLERANCES. 2. Modify Part Number.
F	2011010401	1/04'11	SC.Zhang	Modify DIM



FPC/FFC Insert Direction
Recommended P.C.B Layout

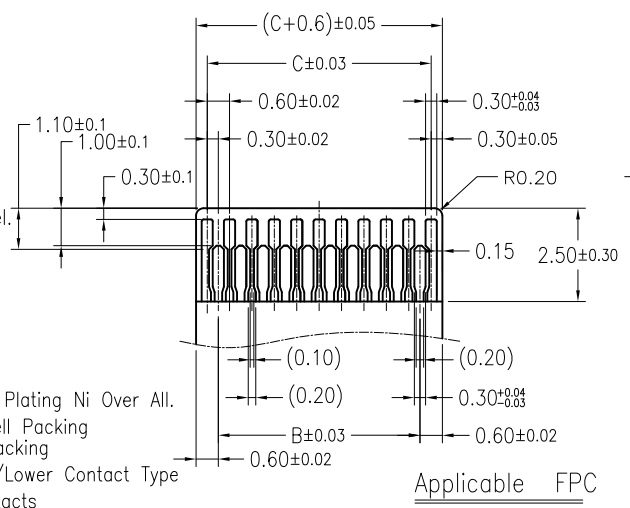


Number of Contacts	Dimension				
	A	B	C	D	E
13	5.40	3.00	3.60	4.30	4.90
15	6.00	3.60	4.20	4.90	5.50
17	6.60	4.20	4.80	5.50	6.10
19	7.20	4.80	5.40	6.10	6.70
21	7.80	5.40	6.00	6.70	7.30
23	8.40	6.00	6.60	7.30	7.90
25	9.00	6.60	7.20	7.90	8.50
27	9.60	7.20	7.80	8.50	9.10
29	10.20	7.80	8.40	9.10	9.70
31	10.80	8.40	9.00	9.70	10.30
33	11.40	9.00	9.60	10.30	10.90
35	12.00	9.60	10.20	10.90	11.50
37	12.60	10.20	10.80	11.50	12.10
39	13.20	10.80	11.40	12.10	12.70
41	13.80	11.40	12.00	12.70	13.30
45	15.00	12.60	13.20	13.90	14.50
49	16.20	13.80	14.40	15.10	15.70
51	16.80	14.40	15.00	15.70	16.30
57	18.60	16.20	16.80	17.50	18.10
61	19.80	17.40	18.00	18.70	19.30
67	21.60	19.20	19.80	20.50	21.10
71	22.80	20.40	21.00	21.70	22.30
73	23.40	21.00	21.60	22.30	22.90

- Note:
- Material
 - Housing: LCP UL94-V0 Color:Black.
 - Actuator: LCP UL94-V0 Color:Black.
 - Contact: C5210-SH T=0.12±0.005.
 - LEG: C5210-SH T=0.12±0.005.
 - Plating
 - Contact: See Part Number.
 - LEG: Matte Tin Plating Over All Nickel.
 - Rating:
 - Operating Voltage: 30V AC/DC.
 - Current Rating: 0.2A AC/DC.
 - Operating Temperature: -55°C~+85°C.
 - Part Number:

EW 3 1 - xx RL - TA G

 - Plating: Gold Plating Ni Over All.
 - TA: Tape Reel Packing
 - TU: Tube Packing
 - Right Angle/Lower Contact Type
 - NO. of Contacts
 - Service Number
 - Pitch=0.30
 - FPC Service



EWCONNECTOR
TEL:+86-755-33514075
FAX:+86-755-22142154
http://www.ewconn.com

TOLERANCE UNLESS SPECIFIED	
LINEAR	ANGLE
.X ±0.25	X° XX
.XX ±0.20	.X° XX
.XXX ±0.10	.XX° XX

DATE: 7/19'10	DAR.BY: SC.Zhang	MATERIAL: SEE NOTE 1
SCALE: 1:1	CHK.BY: Nick	FINISH: SEE NOTE 2
UNIT: mm	APP.BY: Nick	PART NO: EW31

EWCONNECTOR E-World Electronic Industry Ltd

TITLE: FPC0.3 H1.0 Flip-Lock Connector REV. E

DWG NO. EW31-XXRL-TAG