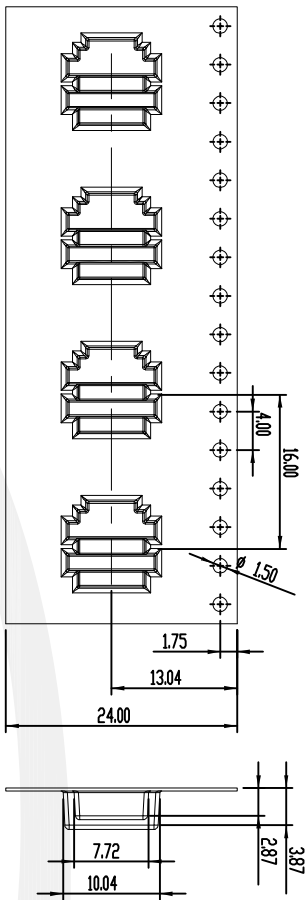


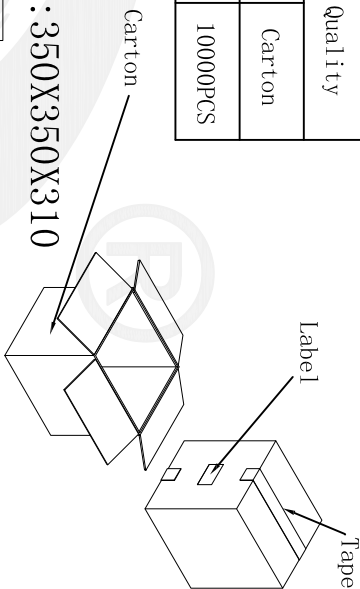
Rev No A/0	Revision note	Date	Signature	Checked
---------------	---------------	------	-----------	---------

1. Tape Packed Status

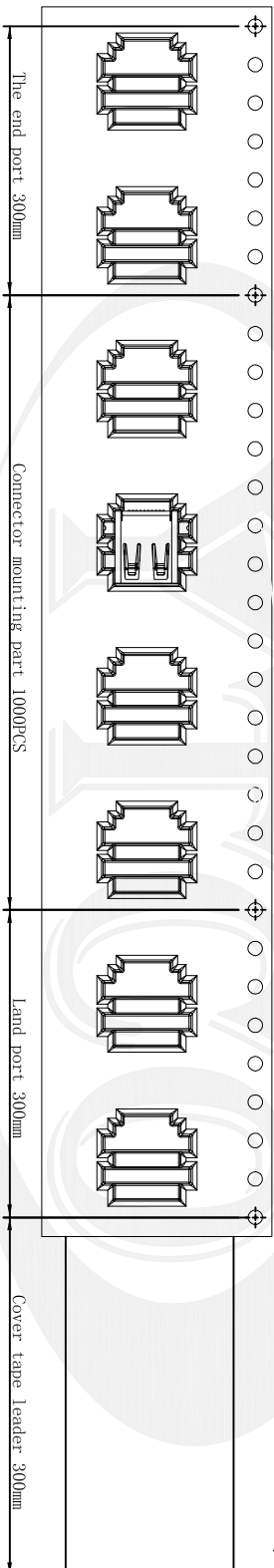


3. Carton Containing 10 Reel (See chart A)

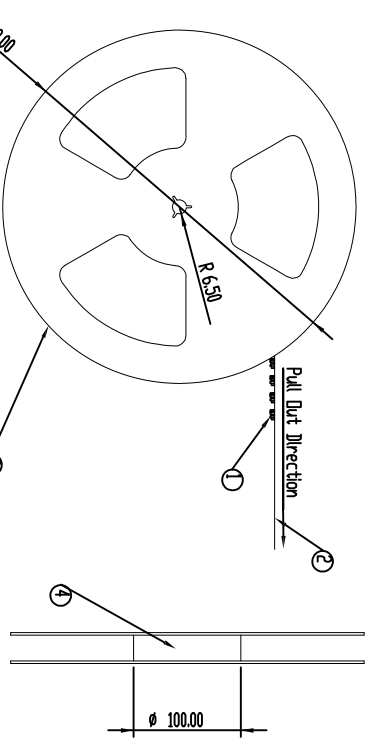
A	Packing Quality	
	Reel	Carton
	1000PCS	10000PCS



4. Carton Size : 350X350X310



2. Reel Packed Status



Item	Name	Material	Color
1	Cappier Tape	PS	Black
2	Cover	PE	Translucent
3	Reel Plate	PS	Blue
4	Reel Core	PS	Blue

1. This Product Doesn't Contain Environmental Hazardous Material Per RoHS 2002/95/EC For RoHS
2. All Rights Reserved Products Are Covered By Patents And/or Patents Pending

THIS DRAWING IS A CONTROLLED DOCUMENT

DIMENSIONS INCHES	TOLERANCES IN INCHES	DATE	DATE
0 PL/C	±	JACK	OCT. 05. 2006
1 PL/C	±	MIKE	OCT. 05. 2006
2 PL/C	±	DATE	
3 PL/C	±	DATE	
4 PL/C	±	DATE	
ANGLES	± 3°	DATE	

APVD: PETER DATE: OCT. 05. 2006
SCALE: 7 : 1 SIZE: A4
PART NO: 6541-19PHXXXXX015
DRAWING NO: YT-654119PH01

YTCO YTCO TECHNOLOGY
HTTP://WWW.YTCO.CO

TITLE: Micro HDMI, Type-D 0.4mm Pitch, 19CKT Receptacle Connector

DATE: 00871

SHR: 3 OF 3 REV: A