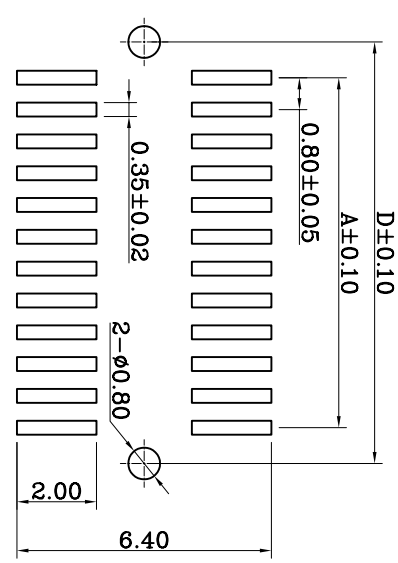
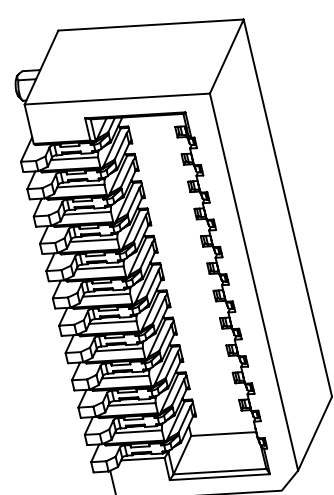
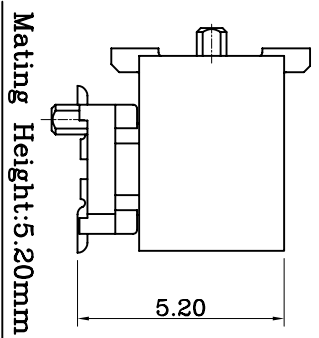
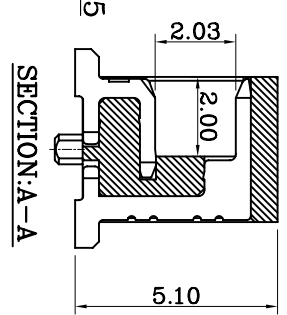
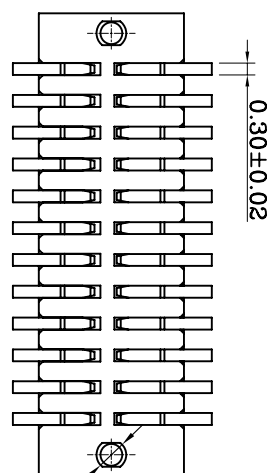
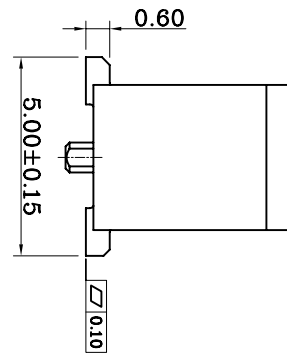
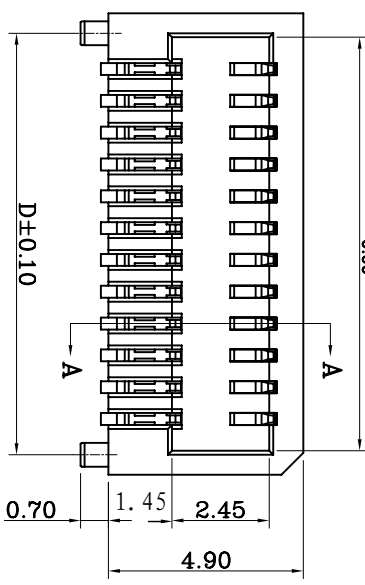
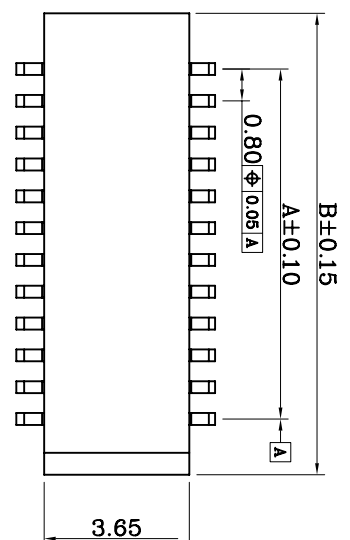


REV	ECN	NO.



Recommended PCB Layout



1. Specification:
- 1.1 Current rating: 0.5A AC/DC
  - 1.2 Voltage rating: 50V AC/DC
  - 1.3 Contact resistance: 20m milliohms max
  - 1.4 Insulation resistance: 100 Mega ohms min
  - 1.5 Withstanding voltage: 500V AC/minute
  - 1.6 Temperature range: -25°C to +80°C
2. Material and Plating
- 2.1 Insulator: PA9T, Plastic (UL94V-0)
  - 2.2 Contact: Brass
  - 2.3 Finish: Gold Plated

CIRCUITS	DIM	ADIM	BDIM	CDIM	DDIM	D
2x5	3.20	6.00	4.80	5.00	5.00	
2x6	4.00	6.80	5.60	5.80	5.80	
2x7	4.80	7.60	6.40	5.60	5.60	
2x8	5.60	8.40	7.20	7.40	7.40	
2x9	6.40	9.20	8.00	8.20	8.20	
2x10	7.20	10.00	8.80	9.00	9.00	
2x11	8.00	10.80	9.60	9.80	9.80	
2x12	8.80	11.60	10.40	10.60	10.60	
2x13	9.60	12.40	11.20	11.40	11.40	
2x14	10.40	13.20	12.00	12.20	12.20	
2x15	11.20	14.00	12.80	13.00	13.00	
2x16	12.00	14.80	13.60	13.80	13.80	
2x17	12.80	15.60	14.40	14.60	14.60	
2x18	13.60	16.40	15.20	15.40	15.40	
2x19	14.40	17.20	16.00	16.20	16.20	
2x20	15.20	18.00	16.80	17.00	17.00	
2x21	16.00	18.80	17.60	17.80	17.80	
2x12	16.80	19.60	18.40	18.60	18.60	
2x13	17.60	20.40	19.20	19.40	19.40	
2x24	18.40	21.20	20.00	20.20	20.20	
2x25	19.20	22.00	20.80	21.00	21.00	
2x26	20.00	22.80	21.60	21.80	21.80	
2x27	20.80	23.60	22.40	22.60	22.60	
2x28	21.60	24.40	23.20	23.40	23.40	
2x29	22.40	25.20	24.00	24.20	24.20	
2x30	23.20	26.00	24.80	25.00	25.00	
2x31	24.00	26.80	25.60	25.80	25.80	
2x32	24.80	27.60	26.40	26.60	26.60	
2x33	25.60	28.40	27.20	27.40	27.40	
2x34	26.40	29.20	28.00	28.20	28.20	
2x35	27.20	30.00	28.80	29.00	29.00	
2x36	28.00	30.80	29.60	29.80	29.80	
2x37	28.80	31.60	30.40	30.60	30.60	
2x38	29.60	32.40	31.20	31.40	31.40	
2x39	30.40	33.20	32.00	32.20	32.20	
2x40	31.20	34.00	32.80	33.00	33.00	
2x41	32.00	34.80	33.60	33.80	33.80	
2x42	32.80	35.60	34.40	34.60	34.60	
2x43	33.60	36.40	35.20	35.40	35.40	
2x44	34.40	37.20	36.00	36.20	36.20	
2x45	35.20	38.00	36.80	37.00	37.00	
2x46	36.00	38.80	37.60	37.80	37.80	
2x47	36.80	39.60	38.40	38.60	38.60	
2x48	37.60	40.40	40.00	39.40	39.40	
2x49	38.40	41.20	40.00	40.20	40.20	
2x50	39.20	42.00	40.80	41.00	41.00	

深圳市山谷道电子有限公司

电话: 0755-27759859 传真: 0755-27759850

DESCRIPTION: 0.8mm Board to Board Socket R/A Type

PART NO: 101PXXU-A1Q1-A2RR1B REV: 1.0

DRAWING NO: P1101PXXU-A2RR1B-01 SIZE: A4

GENERAL TOLERANCE  
.X: ±0.2  
.XX: ±0.10  
.XXX: ±0.05

UNIT: MM

SCALE: 1/1

SHEET: 1/1

DRAWING: 杨朝  
CHECKED: 杨朝  
APPROVAL:

NO. 1	DATE	DESCRIPTION	APPROVAL