

MS-1

LOAD CELL

Materials: Alloy Steel Stainless Steel

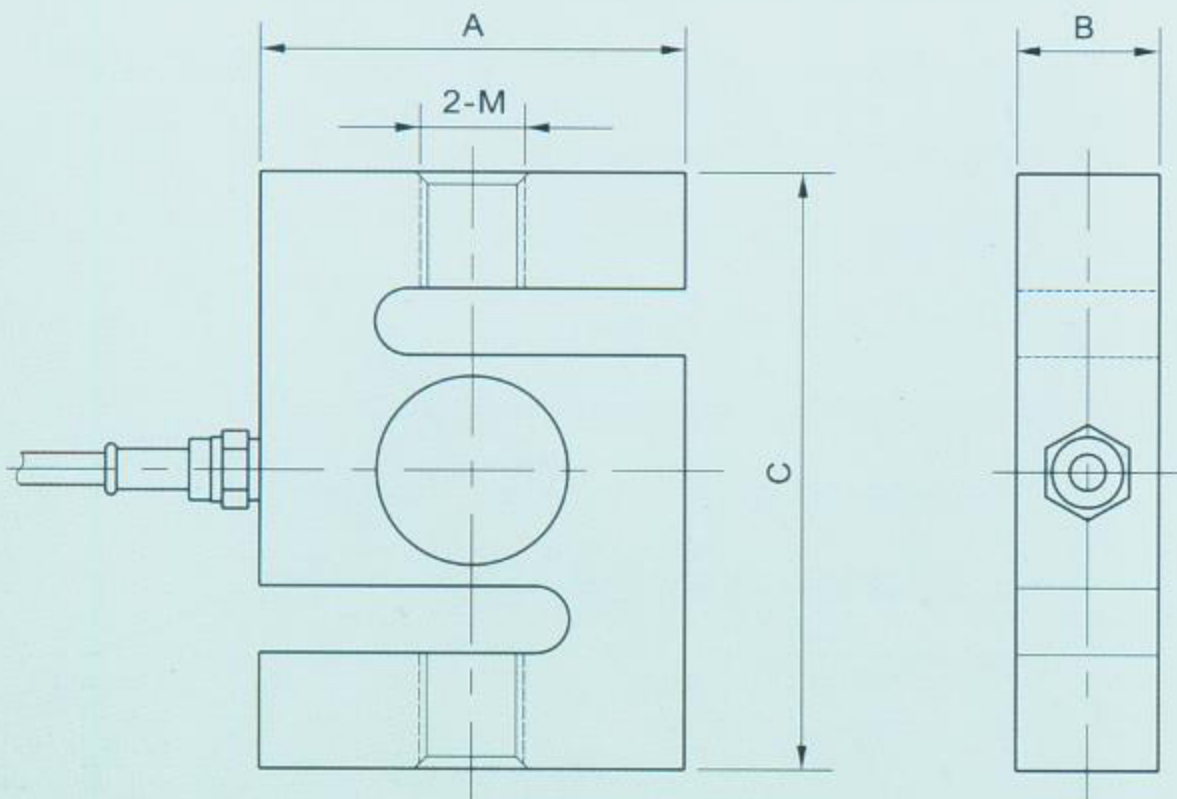
S type load cell, tension and compression
 Good output symmetry, compact structure, simple to install, full range of capacities
 Suitable for electromechanical scale, crane scale, hopper scale and various special scales

Specifications

| | |
|--------------------------------|-----------------------|
| ◇Rated Output(mV/V) | 2.00±0.010 3.00±0.010 |
| ◇Nonlinearity | ±0.02%FS |
| ◇Hysteresis | ±0.02%FS |
| ◇Repeatability | ±0.01%FS |
| ◇Creep(30minutes) | ±0.02%FS |
| ◇Zero Balance | ±1.00%FS |
| ◇Temperature Effect on Zero | ±0.02%FS/10°C |
| ◇Temperature Effect on Output | ±0.02%FS/10°C |
| ◇Input Resistance(Ω) | 385±10 |
| ◇Output Resistance(Ω) | 350±3 |
| ◇Insulation Resistance | ≥5000MΩ |
| ◇Excitation Voltage | 10V(DC/AC) |
| ◇Compensated Temperature Range | -10°C~+50°C |
| ◇Operating Temperature Range | -20°C~+60°C |
| ◇Safe Overload | 120%FS |
| ◇Cable | Φ5.4×5m |

Input: Red(+) Black(-);
 Output: Green(+) White(-)

Cable Color Code



Main Dimensions and Accessories

| Capacity | | Size mm | | | Thread | |
|------------|---------|---------|------|-------|----------|-----------|
| Klb | kg | A | B | C | 公制 mm | 英制 inch |
| 0.025-0.15 | 5-50 | 51.0 | 13.0 | 64.0 | M8X1.25 | 1/4-28 |
| 0.2-1.5 | 100-500 | 51.0 | 19.1 | 76.0 | M12X1.75 | 1/2-20 |
| 2-4 | 1-2t | 54.0 | 25.4 | 76.0 | M12X1.75 | 1/2-20 |
| 5-10 | 2.5-5t | 76.0 | 25.4 | 108.0 | M18X1.5 | 3/4-16 |
| 15 | 7.5t | 100.0 | 32.0 | 140.0 | M24X2 | 1-14 |
| 20 | 10t | 126.0 | 50.0 | 178.0 | M30X2 | 1 1/4 -12 |
| 30-40 | 15-20t | 140.0 | 60.0 | 188.0 | M39X2 | 1 1/2 -12 |