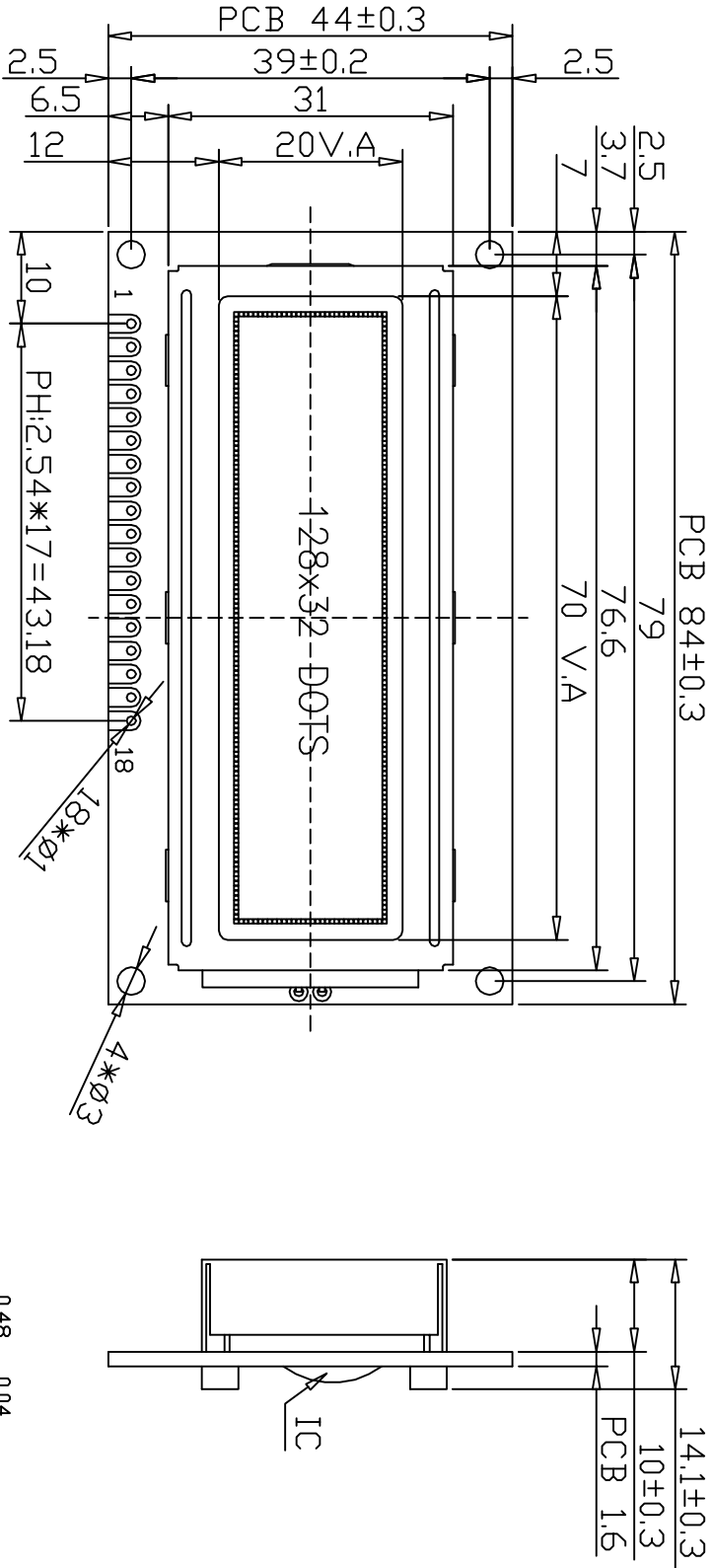


INTERFACE	
1	VSS
2	VDD(5V)
3	V0
4	RS(CS)
5	RW(SID)
6	E(SCLK)
7	DB0
8	DB1
9	DB2
10	DB3
11	DB4
12	DB5
13	DB6
14	DB7
15	PSB
16	/RST
17	LED-A(5V)
18	LED-K



SPECIFICATION:

- 1). STN(BLUE) /NEGATIVE/TRANSMISSIVE
- 2). DUTY: 1/32. BIAS: 1/6. VOP=5.0V
- 3). VIEWING ANGLE: 60°CLOCK
- 4). OPERATING TEMPERATURE: -20~70°C
STORAGE TEMPERATURE: -30~80°C
- 5). BACKLIGHT: WHITE I=40MA
- 6). DRIVE IC: ST7920
- 7). DRIVE POWER: VDD=5.0V

深圳市金彩科技有限公司

Unspecified Tolerance: ±0.20	UNITS: mm	DATE: 2012/2/17	MODE NUMBER: LCM12832A	PROJECTION	SHEET: 1 OF 1
DESIGN BY: WZQ					DATE: 2012/2/17
CHECKED BY:					
CUSTOM NO.:					

DO NOT SCALE THIS DRAWING.