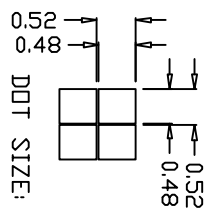
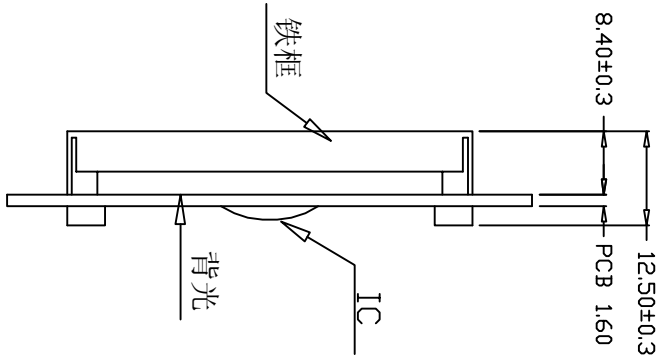
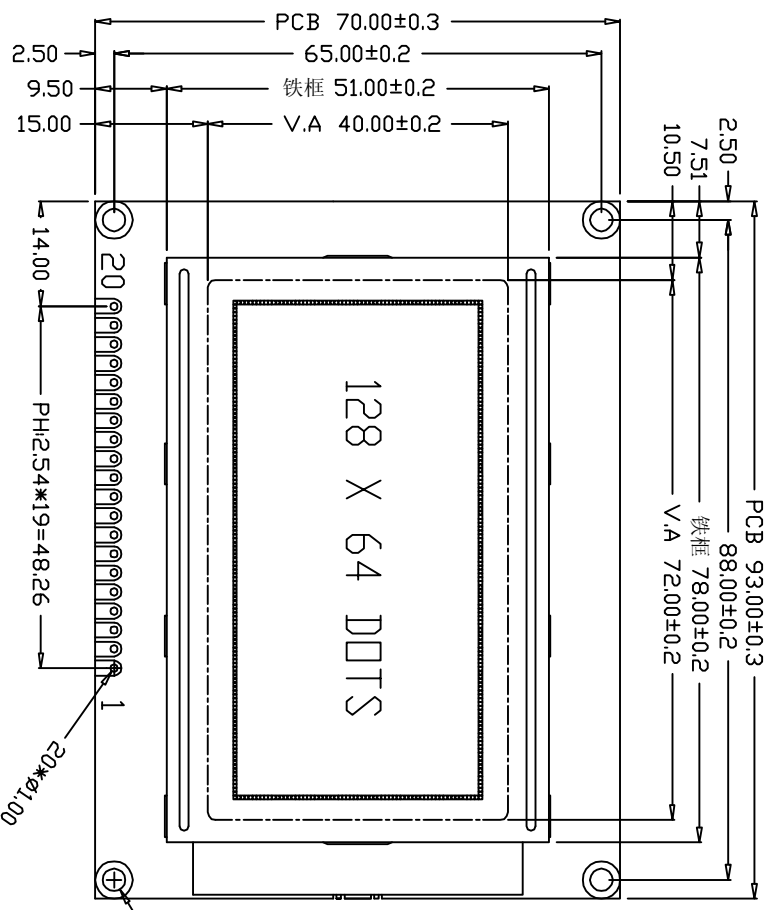


VER	DETAIL DESCRIPTION	DATE
00	FIRST ISSUE	2011-6-29

IF	SOMBLE
1	GND
2	VDD
3	V0
4	RS
5	RW
6	E
7	DB0
8	DB1
9	DB2
10	DB3
11	DB4
12	DB5
13	DB6
14	DB7
15	PSB
16	N.C
17	RST
18	N.C
19	LED-A(+5V)
20	LED-K



SPECIFICATION:

- 1). STN(BLUE)/NEGATIVE/TRANSMISSIVE
- 2). DUTY: 1/32. BIAS: 1/6. VDP=5.0V
- 3). VIEWING ANGLE: 60°CLOCK
- 4). DRIVE VOLTAGE: 5.0V
- 5). OPERATING TEMPERATURE: -20~70°C
STORAGE TEMPERATURE: -30~80°C
- 6). BACKLIGHT: WHITE I=80MA
- 7). DRIVE IC: ST7920

深圳市金彩科技有限公司

Unspecified Tolerance	+0.20	UNITS: mm	DATE:	MODE NUMBER:	PROJECTION	SHEET:
DESIGN BY:	WZQ	2011/6/29	LCM12864M-3	1 OF 1		
CHECKED BY:				DATE:	2011/6/23	
CUSTOM NO.:			DONOT SCALE THIS DRAWING.			