

C3000 C3002 SERIES

Key Switches



SPECIFICATIONS

RATING: 30mA / 28VDC
OPERATING SPEED: 10mm/sec
ELECTRIC LIFE: 20,000 cycles
FULL TRAVELS: 2.0mm
OPERATING TEMPERATURE: -40°C to 95°C

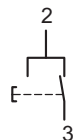
MATERIALS

PUSHER: POM Black
DUST PROTECTION CAP: POM Black
CASE: PA Nature glass fiber reinforced
SPRING: Piano wire
CONTACT/TERMINALS: Brass, silver plated



SWITCHN FUNCTION

SPST

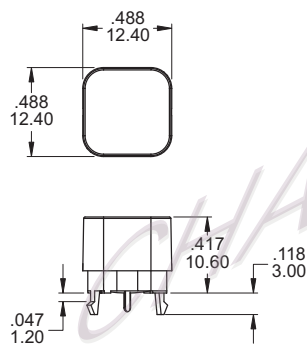


SPDT

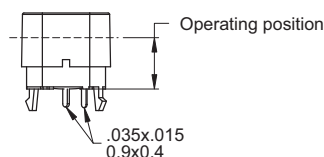


POLE OPTIONS

SPST

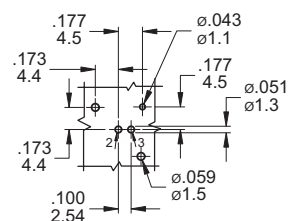


NOTE
Force: G3.4~6.4N
Operating position: 8.9 ± 0.2mm

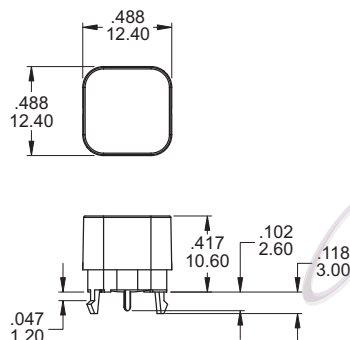


Part No. Shown : C3000

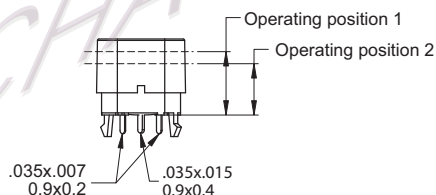
P.C. MOUNTING



SPDT



NOTE
Force 1: G5~7N
Force 2: G11~14N
Operating position 1: 9.7 ± 0.2mm
Operating position 2: 8.9 ± 0.2mm



Part No. Shown : C3002

P.C. MOUNTING

