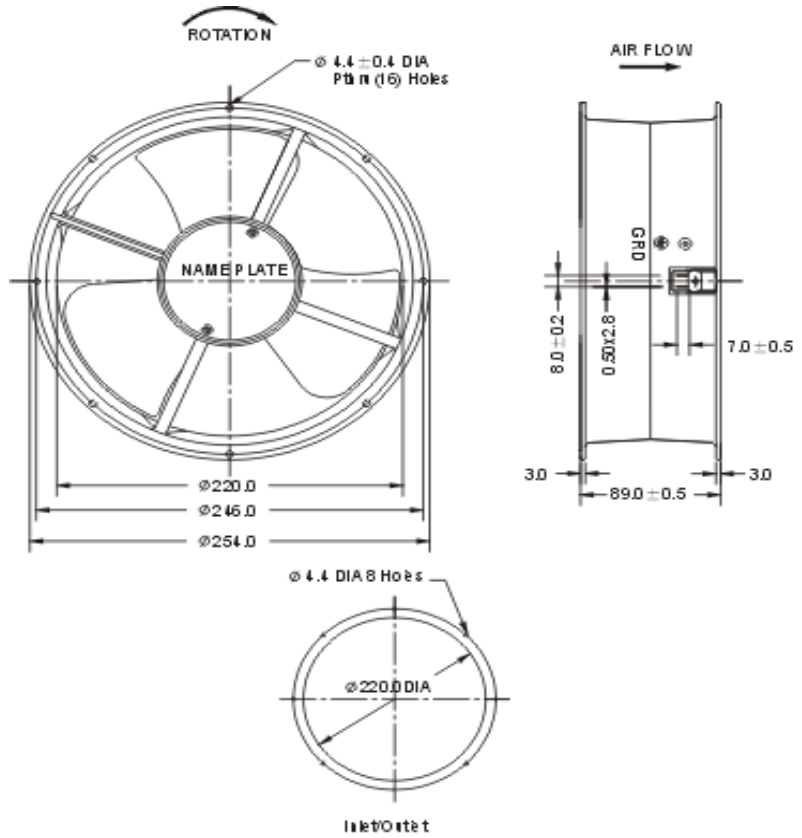




Size: $\phi 254\text{mm} \times 89\text{mm}$
 Airflow: 718~1444 m³/hr
 423~850 CFM
 Weight: 2150 g
 Noise: 52~60 dBA
 Impeller: PA6 UL94V-0 Reinforced Plastic
 Frame: Aluminum Alloy
 Terminals: 0.5mm
 Lead Wire: AWG#22 UL1015
 (Optional)
 Motor: Capacitor-Run Induction Motor



Unit:mm

Operation Temperature: $-10^{\circ}\text{C} \sim +70^{\circ}\text{C}$

温馨提示

我司可定做特殊风扇如：防潮、防水、涡轮增压、软起动、正反转、无极温控、PWM 调速、连接端子、RD 报警和 FG 信号，有需要请与我司销售代表联络，谢谢！

Listed Model	Bearing System	Voltage	Freq.	Current	Power	Speed	Noise	Air Flow		Static Pressure
		VAC	Hz	A	W	RPM	dBa	m ³ /hr	CFM	(mmH ₂ O)
XHA25489B2	Ball	220~240	50/60	0.40/0.55	87/110	2600/2800	80/88	1325/1444	780/850	21/17
XHA25489B1		100~125	50/60	0.80/1.0	87/110	2600/2800	80/88	1325/1333	780/850	21/17
XHA25489B2		220~240	50/60	0.29/0.35	65/78	2200/2100	60/59	1160/1084	685/640	12.2/9.8
XHA25489B1		100~125	50/60	0.58/0.70	65/78	2200/2100	60/59	1160/1084	685/640	12.2/9.8
XHA25489B2		220~240	50/60	0.16/0.17	32/35	1400/1650	52/55	718/855	423/503	8.9/11.9
XHA25489B1		100~125	50/60	0.28/0.30	32/35	1400/1650	52/55	718/855	423/503	8.9/11.9

<http://www.magicfan.com.cn/>

