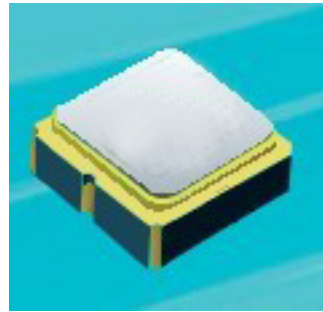


# Saw Resonator

SMD QCC4A 5.0x3.5 4P

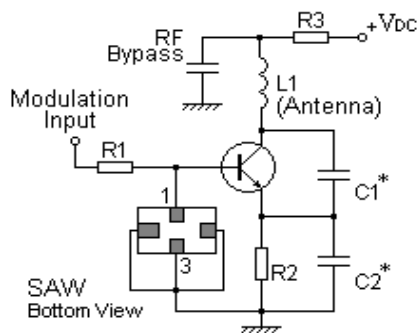


## Electrical Specifications

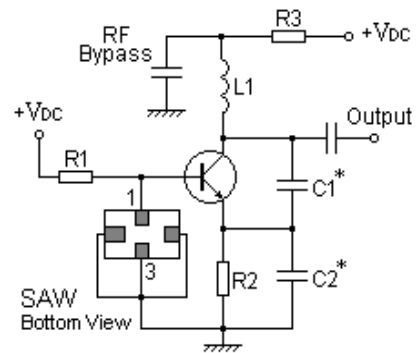
Frequency Range	115 ~ 950 MHz
Frequency Tolerance (at 25 °C)	±75KHZ, ±150KHZ
Storage Temperature Range	-40 to +85 °C
Operating Temperature Range	-20 to +70 °C
DC Insulation Resistance Between Any Two Pins	1.0MΩ
CW RF Power Dissipation	0dB
Frequency Temperature Coefficient	0.032ppm
Aging (at 25 °C)	10ppm/y

## Typical Application Circuits

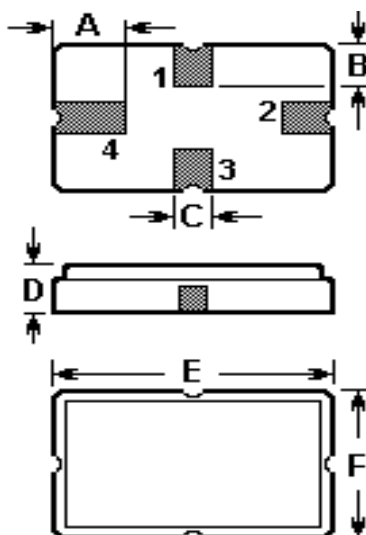
Low-Power Transmitter Application



Local Oscillator Application



## Dimensions



Pin <sup>↙</sup>	Configuration <sup>↙</sup>
1	Input / Output
3	Output / Input
2/4	Case Ground

Sign <sup>↙</sup>	Data (unit: mm) <sup>↙</sup>	Sign <sup>↙</sup>	Data (unit: mm) <sup>↙</sup>
A	1.2	D <sup>↙</sup>	1.4
B	0.8	E <sup>↙</sup>	5.0
C	0.5	F <sup>↙</sup>	3.5