

V5329A

3-WAY FLANGED LINEAR VALVE PN16

SPECIFICATION DATA



Application

These three port mixing valves are used for modulating control of hot or chilled water in heating, ventilation and air conditioning systems and can be operated by electric linear actuators as ML6420/6425, ML7420/7425, M6421/7421.

Feature

- Cast iron body with flanged end connections
- Metal to metal seating for long life span
- Self adjusting packing
- Accurate positioning to ensure state of the art temperature control
- Direct coupled electric and pneumatic actuators for easy mounting
- Constant total flow throughout full plug travel

Specifications

Action	Stem up to close port A-AB
Nominal pressure rating	PN16
Valve type	3-way mixing
Flow characteristic	Equal percentage port A-AB, linear port B-AB
Rangeability	50:1
Leakage rate	≤0.5 % of k_{vs} port A-AB ≤1 % of k_{vs} port B-AB
Stroke	20 mm
Valve body	
End connections	Flanged per ISO 7005-2
Material	Cast iron (GG25)
Dimensions	See Fig. 1
Trim	
Seat	Body integrated
Plug	Stainless steel, skirt guided
Stem	Stainless steel
Packing	Spring loaded PTFE cone rings
Medium temperature and max. pressure	
PN16	2 ... 120 °C ; 1600 kPa 120 ... 150 °C ; 1440 kPa 150 ... 170 °C ; 1370 kPa
Maximum temperature differential in alternating hot/cold water use	60 K

Sizes and flow capacities

Order Number	Valve Size	kvs
V5329A2077	DN65	63.0
V5329A2085	DN80	100.0

Installation

- Water should meet VDI 2035 requirements.
- Do not install valve with stem below the horizontal.
- Fluid flow must correspond with the arrow direction on the valve body.
- The installation of a strainer is strongly recommended.

Valve

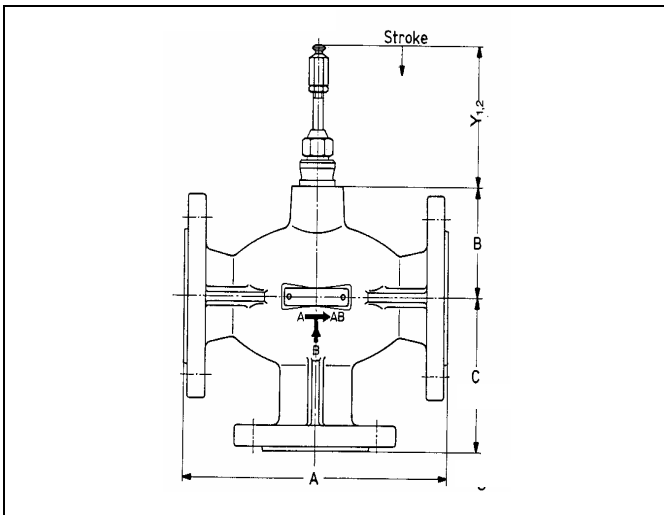


Fig. 1 V5329A

CLOSE OFF PRESSURE RATINGS in kPa

Electric actuators

Actuator		Valve Size	
Model	Force	DN65	DN80
ML6420A, ML6425A,B ML7420A, ML7425A,B	600 N	160	100
ML6421A, ML7421A	1800 N	600	400

DIMENSIONS (mm)

Valve Size	A	B	C	Y ₁
DN65	290	105	145	107 port A-AB closed
DN80	310	112	155	

Electric actuators

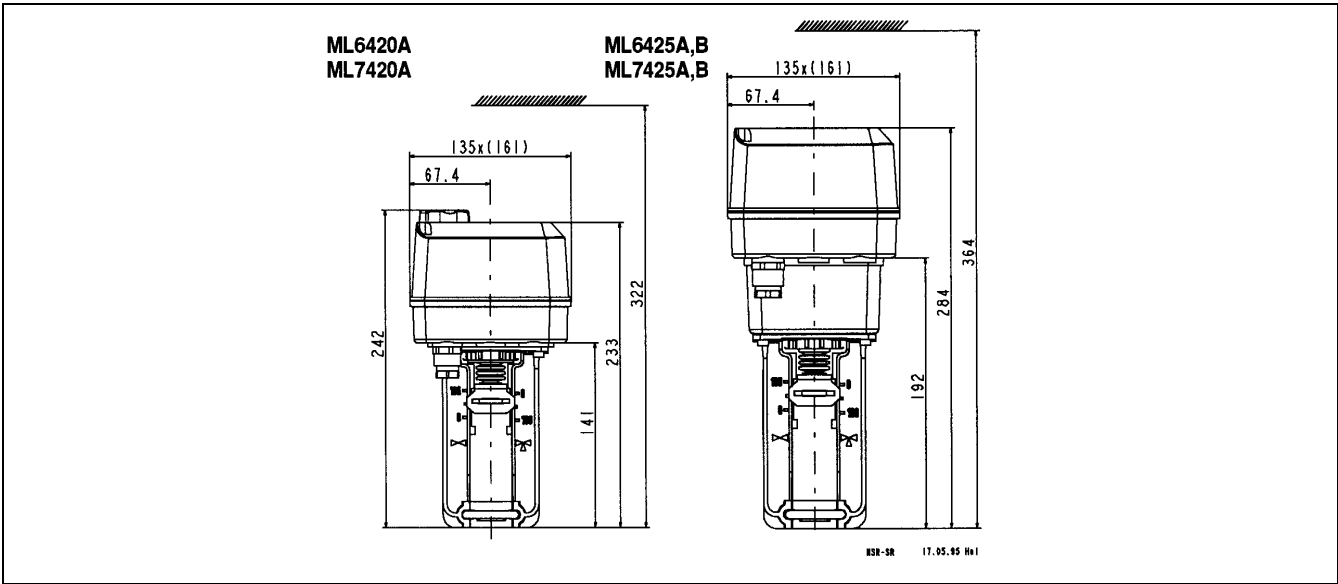


Fig. 2 ML6420A/6425A,B ML7420A/7425A,B

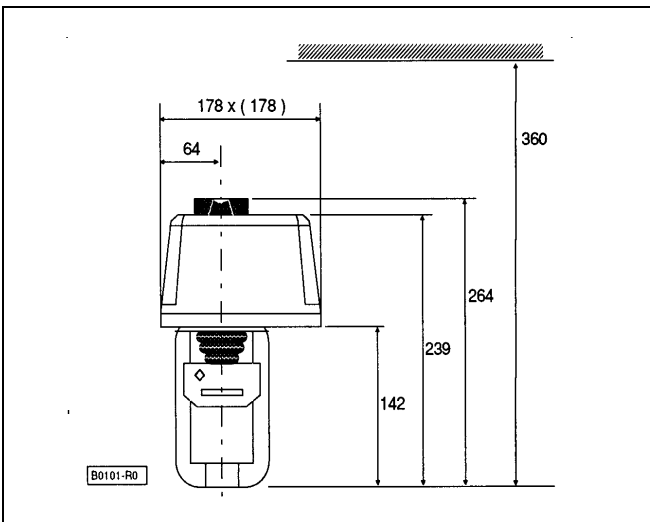


Fig. 3 ML6421A, ML7421A

Repair packing kit

Part No.: 88609019



← CARBON+TEFLON



← O-RING(NBR)

Honeywell

Automation and Control Solutions

Honeywell Taiwan Ltd.
9F, 168 Lien Cheng Road
Chung Ho City, Taipei County, Taiwan
Phone: +886-2-2243 1653
Fax: +886-2-2243 1244

Subject to change without notice. Printed in Taiwan