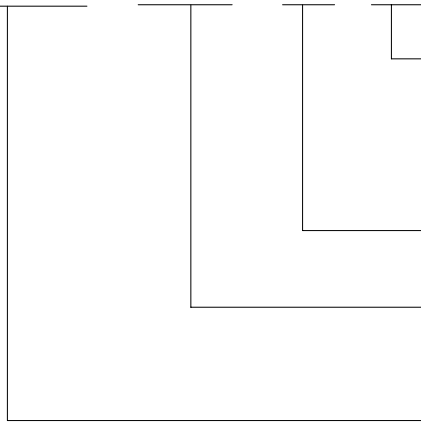


ORDERING CODE 订购代码

HLS-13F-2 - DC12V -P - L



NIL....STANDARD
 LLED
 TTEST BUTTON
 ALED + TEST BUTTON

TERMINAL TYPE
 NIL....PLUG IN P....PBC

NOMINAL VOLTAGE
 DC5V,DC6V,DC9V,DC12V,DC24VDC48V,DC110V
 AC6V,AC9V,AC12V,AC24V,AC48V,AC120V,AC240V

TYPE

CONTACT DATA 触点参数:

Contact Form	触点形式	2C
Contact Material	触点材料	Ag Alloy
Contact Ratings	触点负载	10A 240VAC/30VDC
Max Switching Voltage	最大转换电压	250VAC/30VDC
Max Switching Current	最大转换电流	10A
Max Switching Power	最大转换功率	2500VA/300W
Initial Contact Resistance	接触电阻 (首次)	100mΩ Max at 6VDC 1A
Life Expectancy Electrical	电气寿命	100,000 Operations (rated load)
Life Expectancy Mechanical	机械寿命	10,000,000 Operations (no load)

GENERAL DATA 一般参数:

Insulation Resistance	绝缘阻值	100MΩ min at 500VDC	
Dielectric Strength Between Open Contacts	触点间耐压	1000VAC 50-60HZ (1minute)	
Dielectric Strength Between Contacts And Coil	触点与线圈间耐压	1500VAC 50-60HZ (1 minute)	
Operate Time	吸合时间	25ms max	
Release Time	释放时间	25ms max	
Ambient Temperature	环境温度	-40°C to +70°C	
Shock Resistance 冲击	Malfunction	动作极限	20G
	Destruction	破坏极限	100G
Vibration Resistance	振动	10-55Hz, 1.5mm double amplitude	
Ambient humidity	湿度	40-85% RH	
Weight	重量	Approx 32g	
Safety Standard	安全标准	CQC	

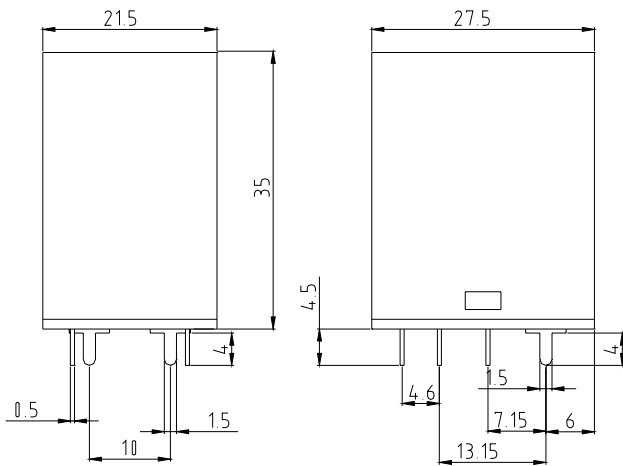
COIL DATA 线圈参数: (@20°C)

Rated	DC Coil 直流线圈 0.9W	AC Coil 交流线圈 1.2VA
-------	-------------------	--------------------

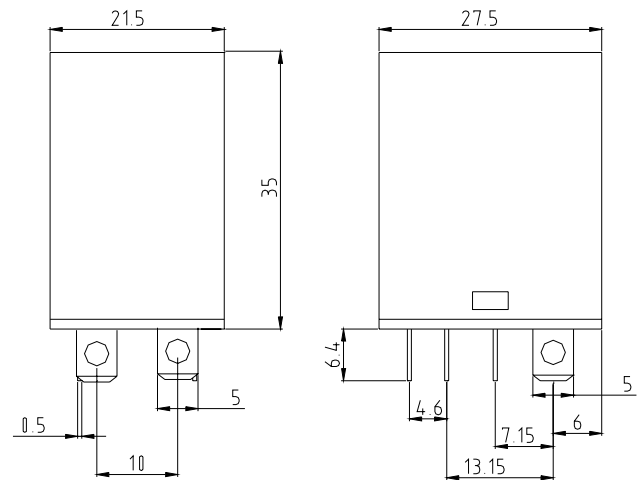
Voltage 额定电压 (V)	Coil Resistance Ω ($\pm 10\%$) 线圈阻值	Max Operate Voltage 最大吸合电压 (VDC)	Min Release Voltage 最小释放电压 (VDC)	Coil Resistance Ω ($\pm 10\%$) 线圈阻值	Max Operate Voltage 最大吸合电压 (VDC)	Min Release Voltage 最小释放电压 (VDC)
5	32	3.75	0.5	-	-	-
6	40	4.5	0.6	11.5	4.8	1.8
9	90	6.75	0.9	40	7.2	2.7
12	160	9	1.2	46	9.6	3.6
24	650	18	2.4	184	19.2	7.2
48	2600	36	4.8	735	38.4	14.4
110	11000	82.5	11	-	-	-
120	-	-	-	4550	96	36
240	-	-	-	14400	192	72

Outline Dimension 外形尺寸 (mm)

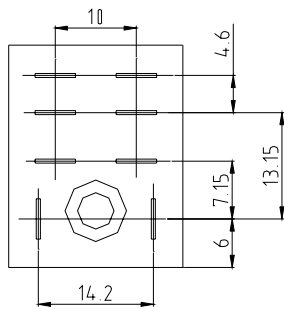
PCB Terminal 印刷线路板式



Plug-In Terminal 插拔式

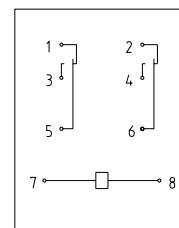


PC Board layout 安装图



(Bottom View)底视

Wiring Diagram 接线图



(Bottom View)底视