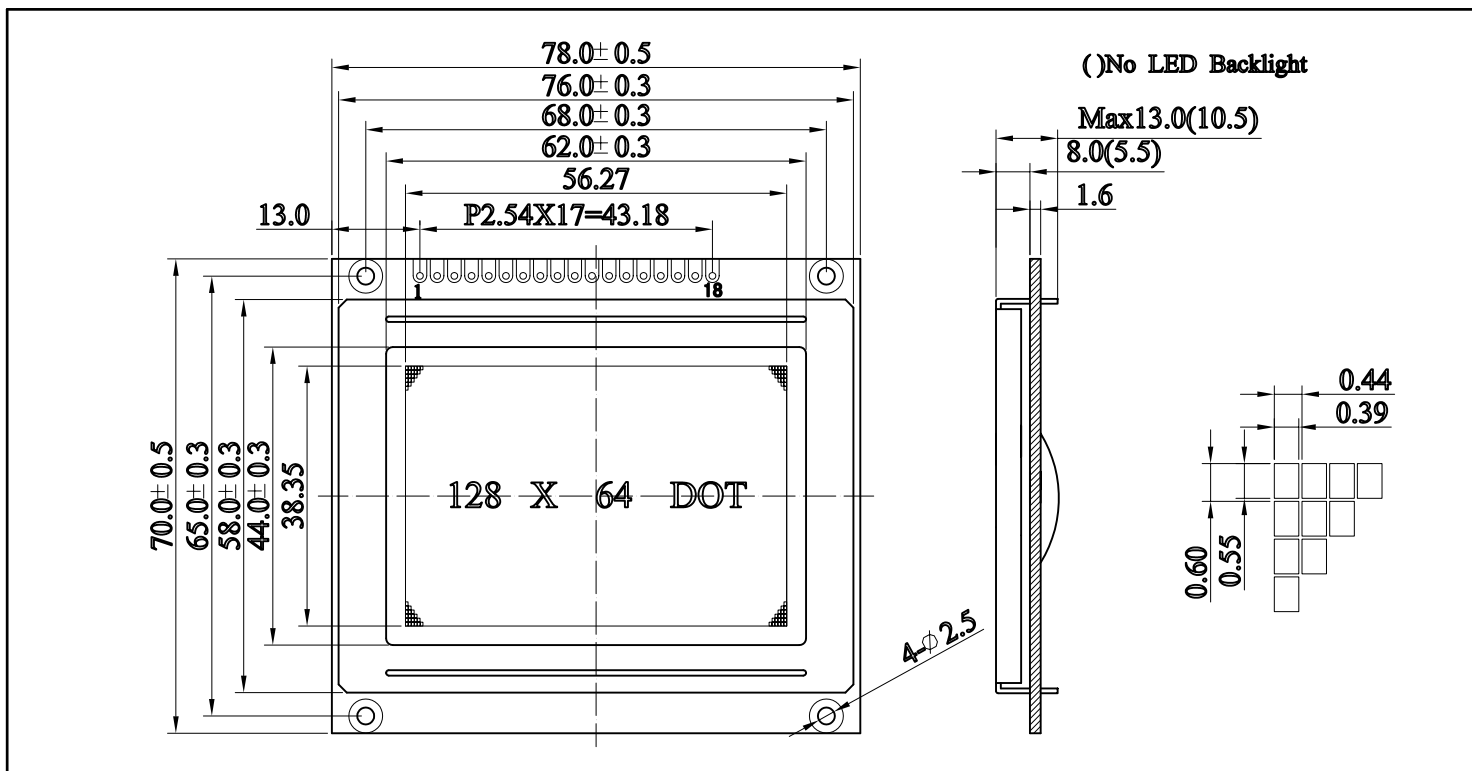


DM12864C-5

*128x64DOTS 1/64Duty 1/9Bias Gray or Yellow-Green and Blue mode STN Transflective



ABSOLUTE MAXIMUM RATINGS

Item	Symbol	Min.	Max.	Unit
Supply Voltage(Logic)	Vdd - Vss	-0.3	7.0	V
Supply Voltage(LCD)	Vdd - V0	-0.3	15.0	V
Input Voltage	Vi	-0.3	Vdd + 0.3	V
Operating Temp.	Topr	-20	70	°C
Storage Temp.	Tstg	-30	80	°C

MECHANICAL DATA

Item	Max.	Unit
Module Size (W X H X T)	78.0 X 70.0 X 10.5/13.0	mm
Viewing Area(W X H)	62.0 X 44.0	mm
Dot Pitch(W X H)	0.44 X 0.60	mm
Dot Size(W X H)	0.39 X 0.55	mm
View Angle	6 or 12 O'Clock	

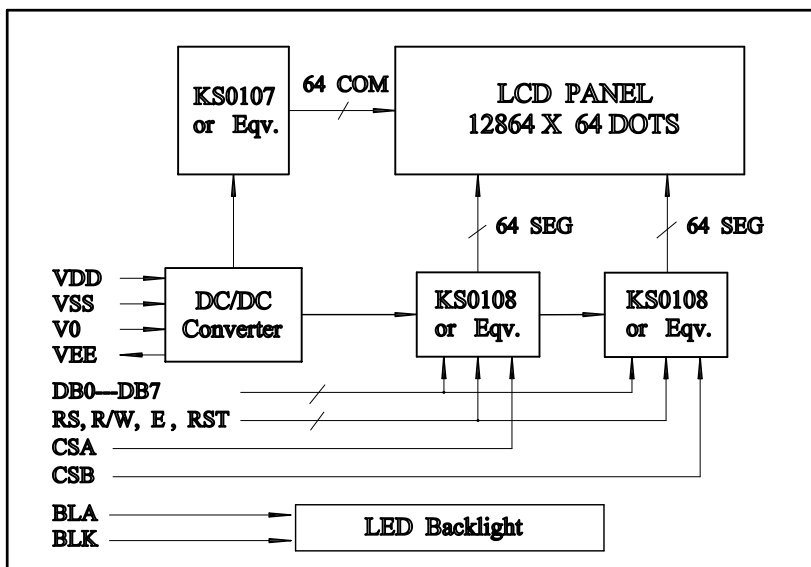
ELECTRICAL CHARACTERISTICS (Vdd=5V±0.25V)

Item	Symbol	Test Condition	Min.	Typ.	Max.	Unit
Input High Voltage	Vih	-	2.0	-	Vdd	V
Input Low Voltage	Vil	-	-0.3	-	0.8	V
Output High Voltage	Voh	Ioh=-0.2mA	2.4	-	Vdd	V
Output Low Voltage	Vol	Iol=-1.6mA	0	-	0.4	V
Supply Current	Idd	Vdd=5.0V	-	6.0	8.0	mA
LCD Driving Voltage	Vdd - V0	Ta=25 °C	-	10.5	-	V

PIN CONNECTIONS

Pin	Symbol	Level	Function
1	CSA	L	Chip selection for IC1,active"L"
2	CSB	L	Chip selection for IC2,active"L"
3	VSS	0V	Power GND
4	VDD	+5V	Power supply for logic
5	V0	-	Operation voltage for LCD
6	RS	H/L	H:Data L:Instruction code
7	R/W	H/L	H:Read L:Write
8	E	H/L	Enable signal
9	DB0	H/L	Data bus line
10	DB1	H/L	
11	DB2	H/L	
12	DB3	H/L	
13	DB4	H/L	
14	DB5	H/L	
15	DB6	H/L	
16	DB7	H/L	
17	BLA	+5V	Power supply for LED backlight
18	BLK	0V	

BLOCK DIAGRAM



LCD Type

LCD Color	Backlight
Yellow Green	LED/Yellow-green/4.2V
Gray	LED/Yellow-green/4.2V
Blue	LED/ White /3.2V