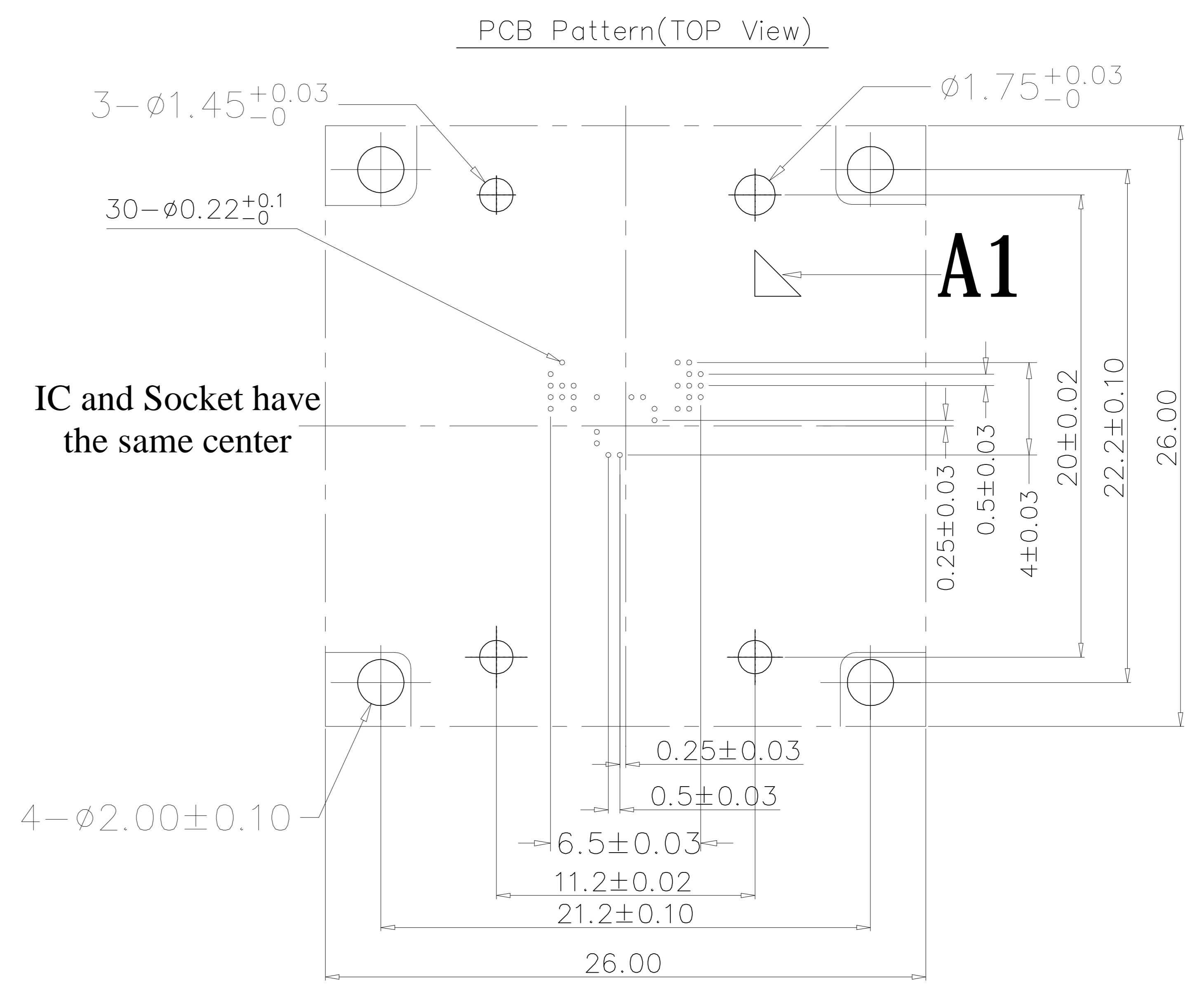
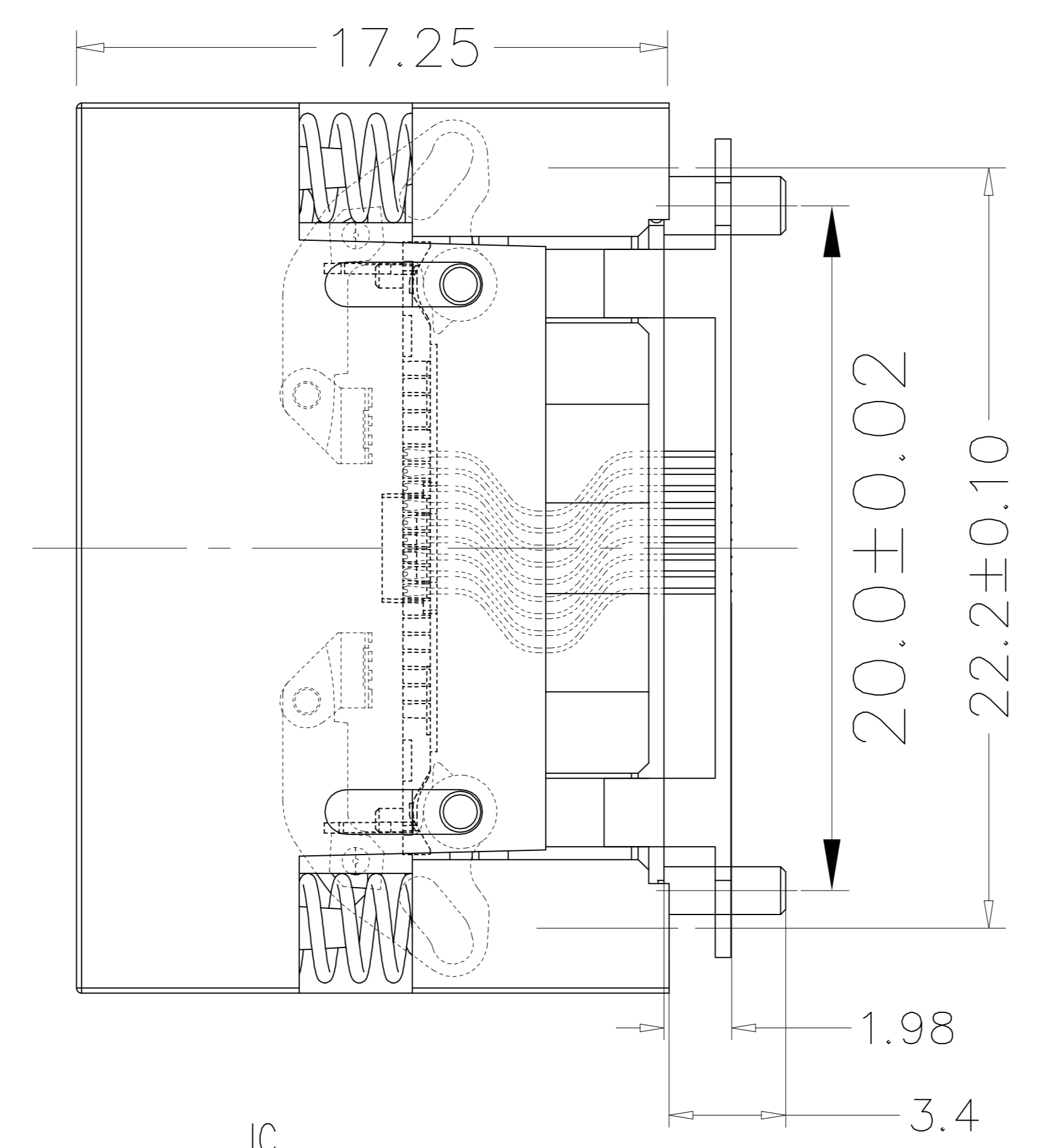
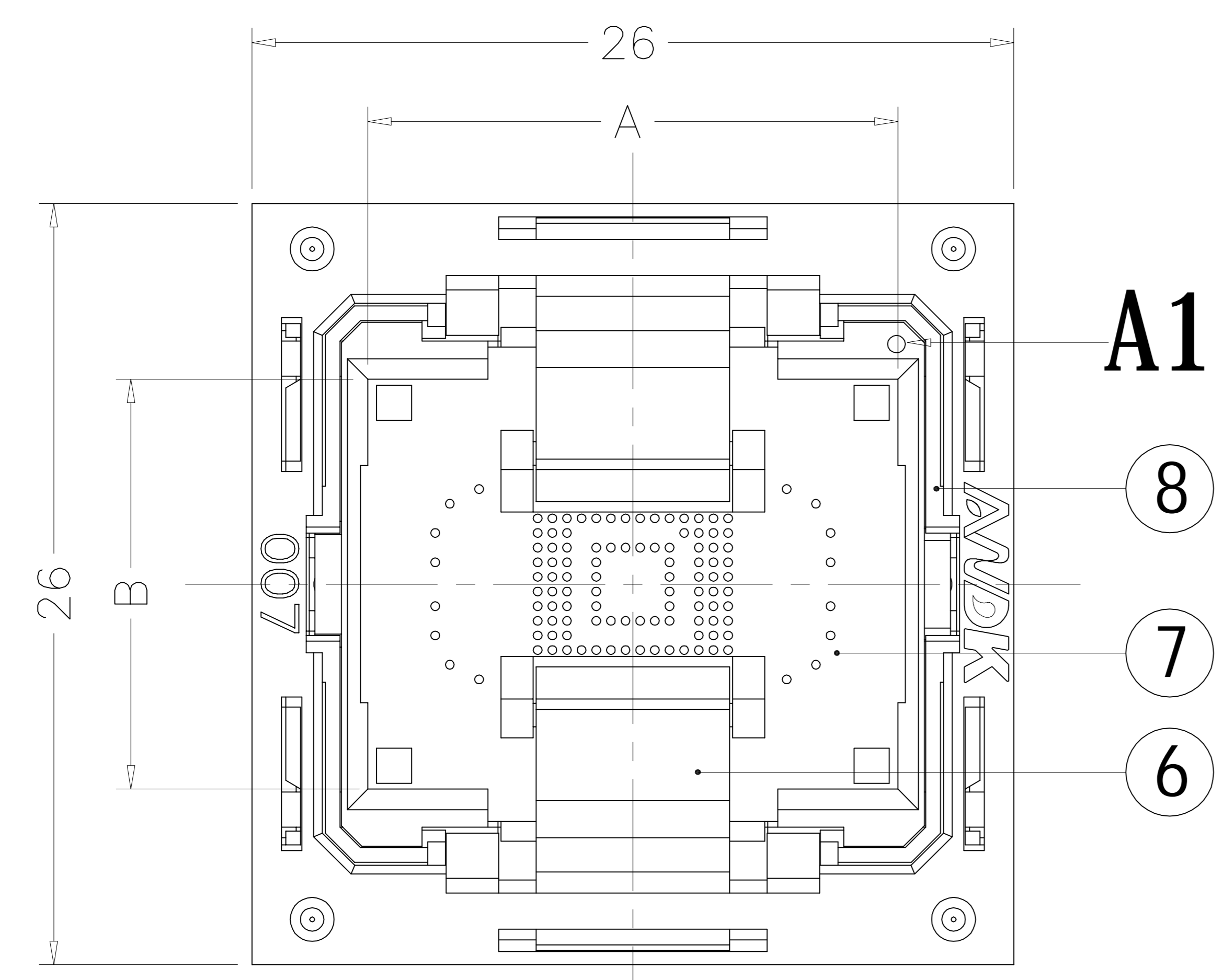
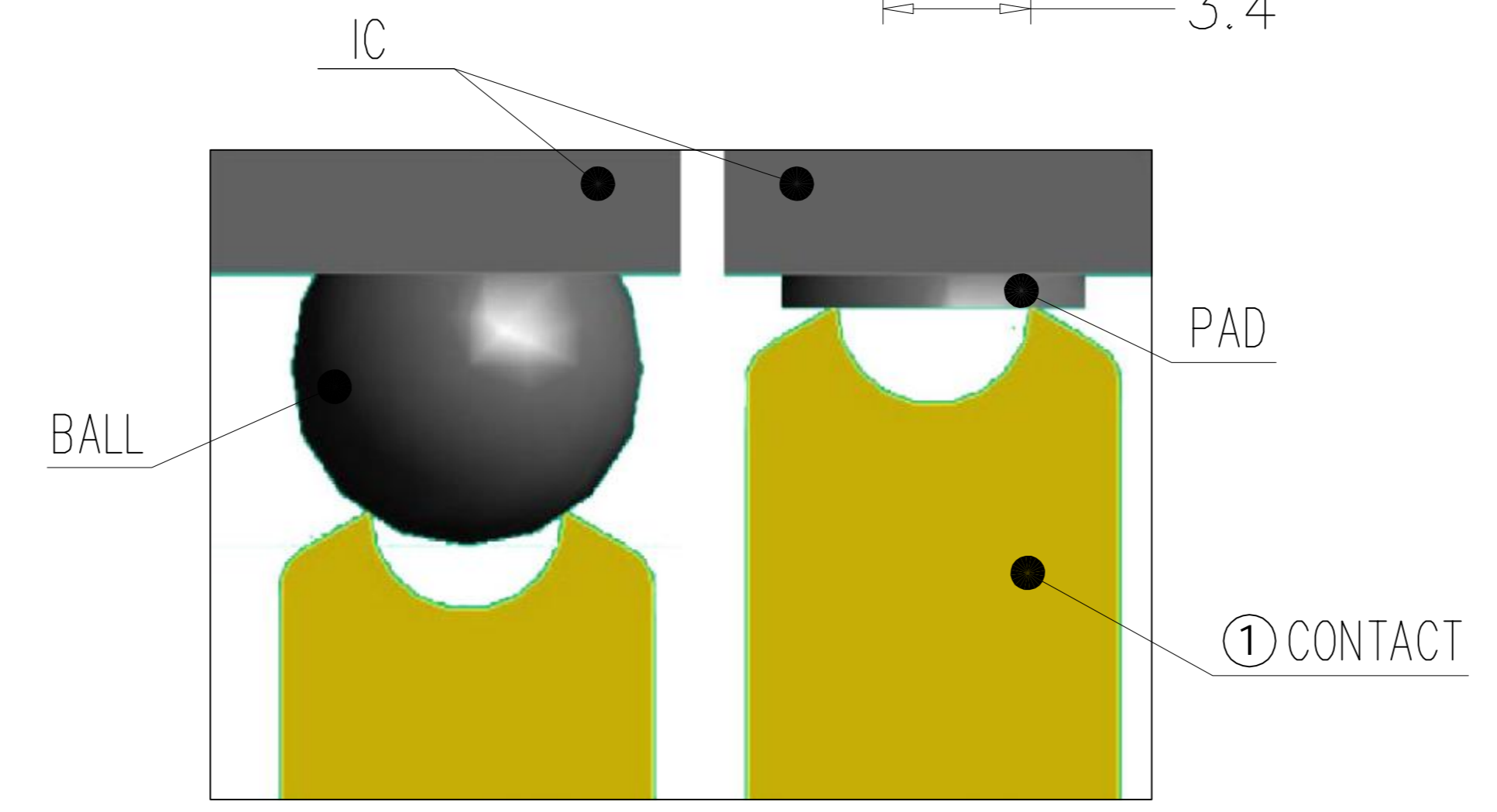
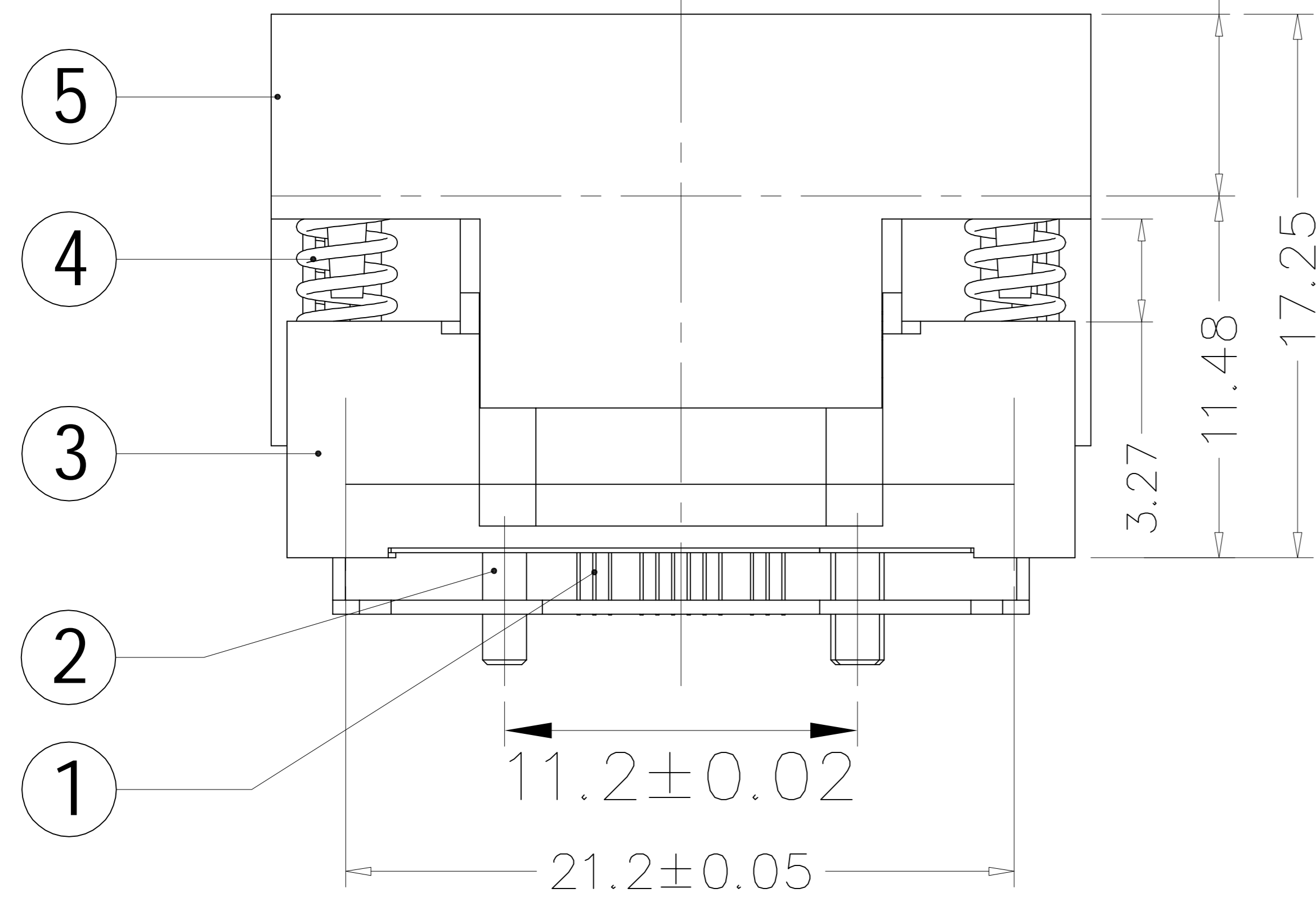
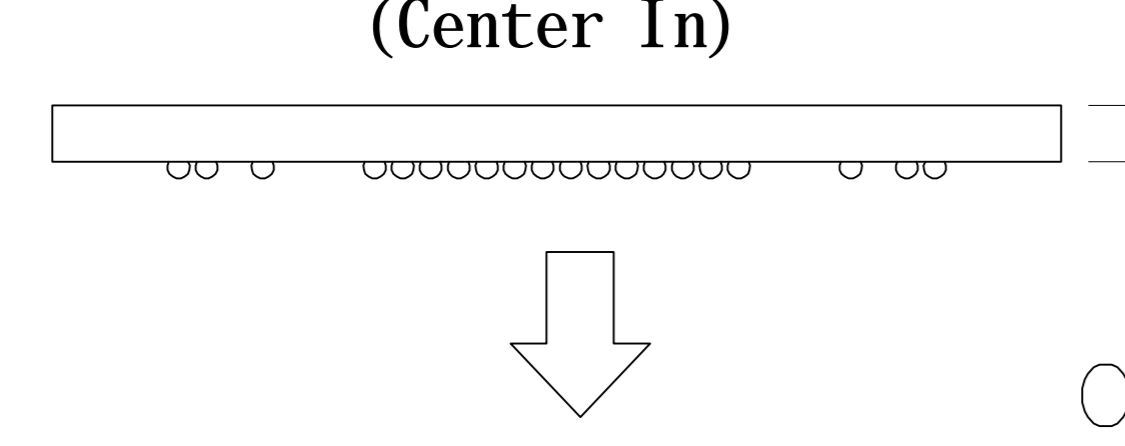


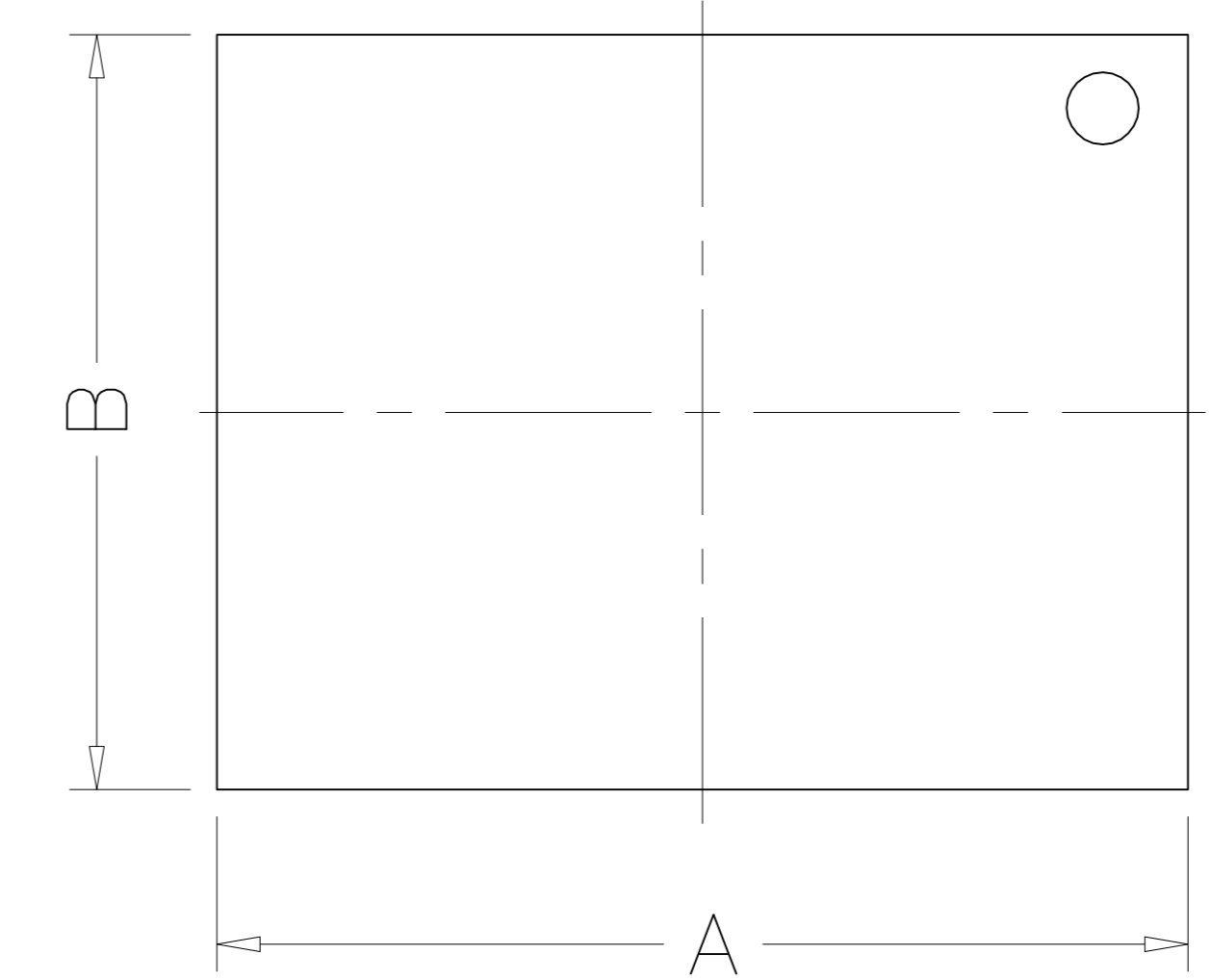
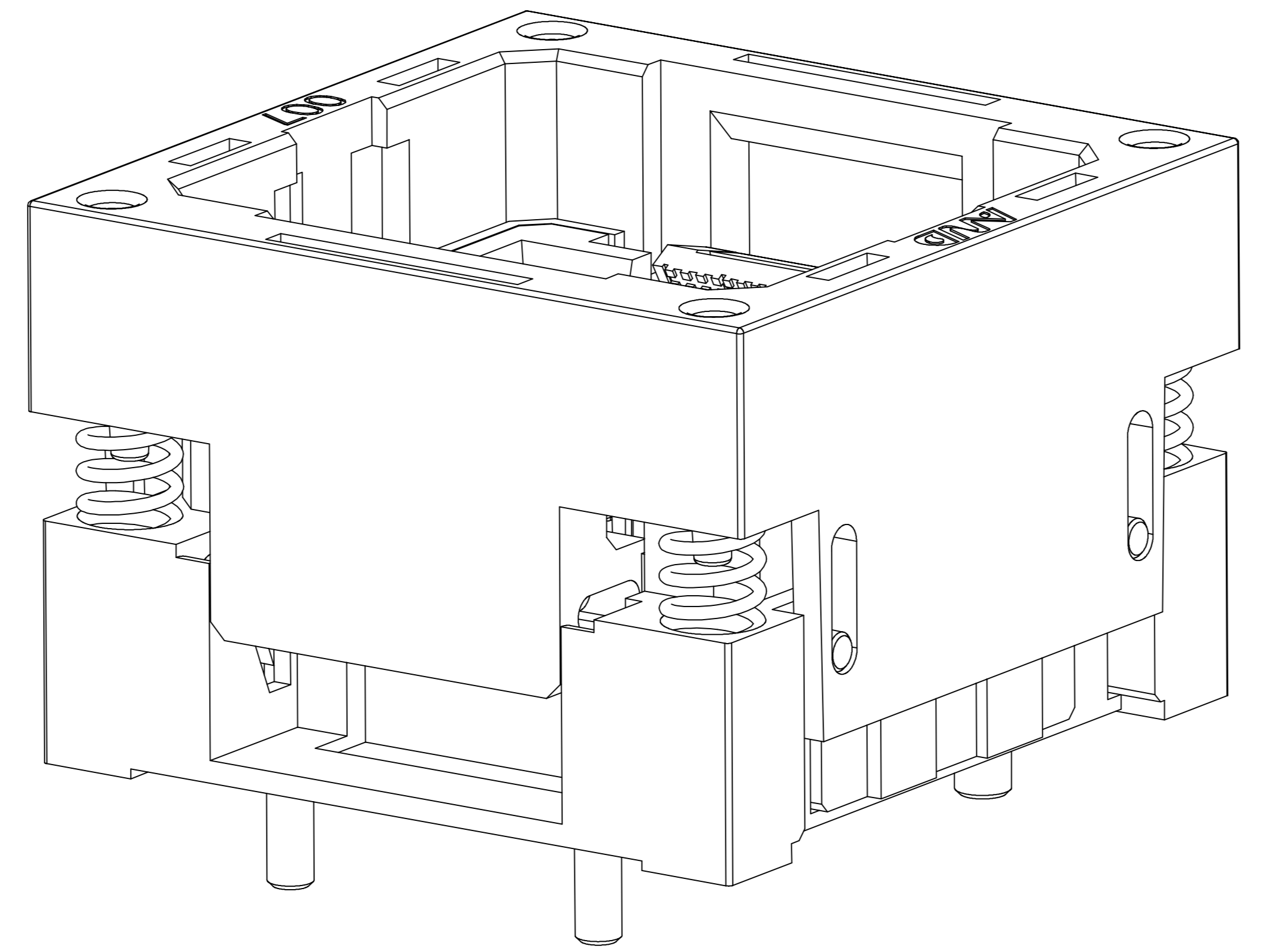
REVISION	DESCRIPTION	CHECK	APP	DATE	REV. NOTICE. NO
△ 1					
△ 2					
△ 3					



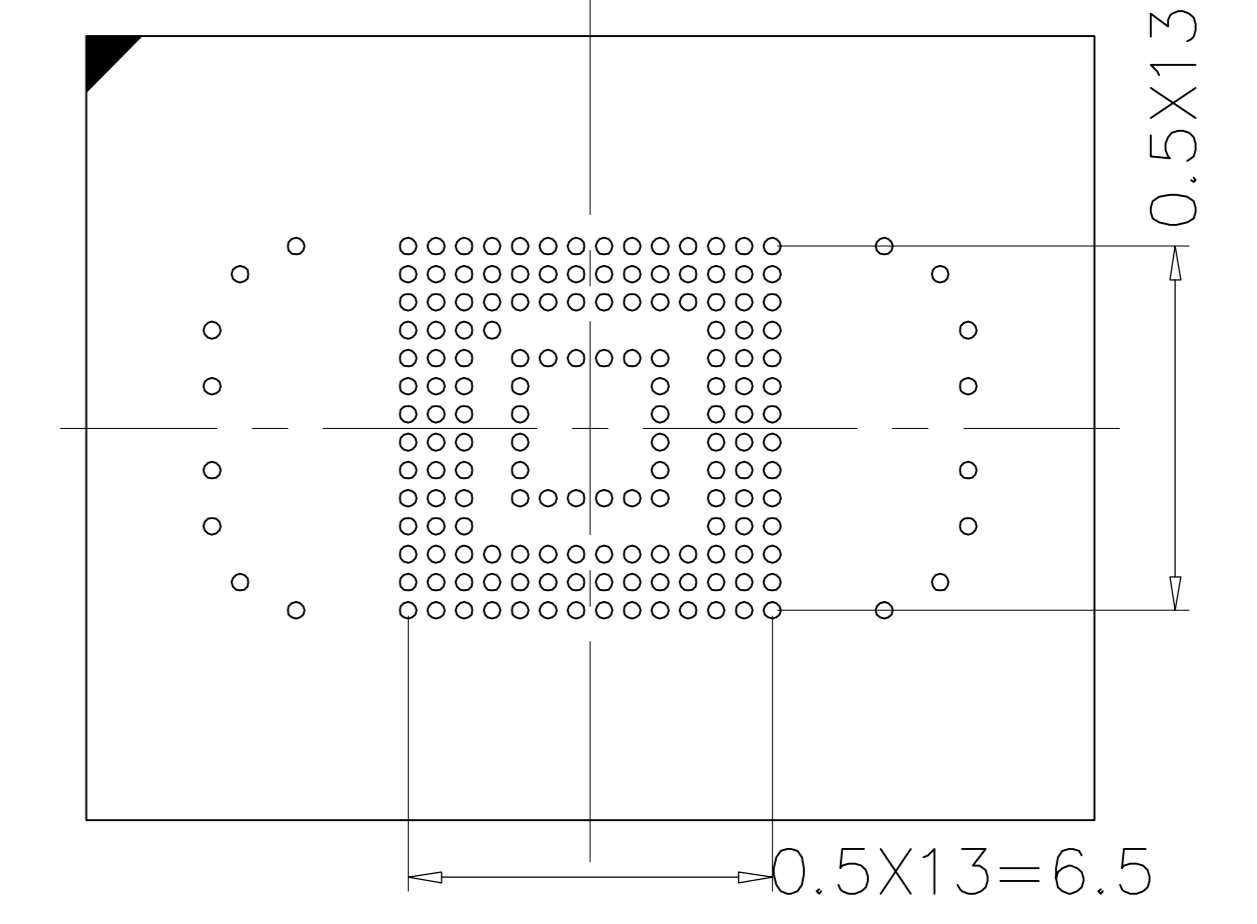
IC Loading Direction
(Center In)



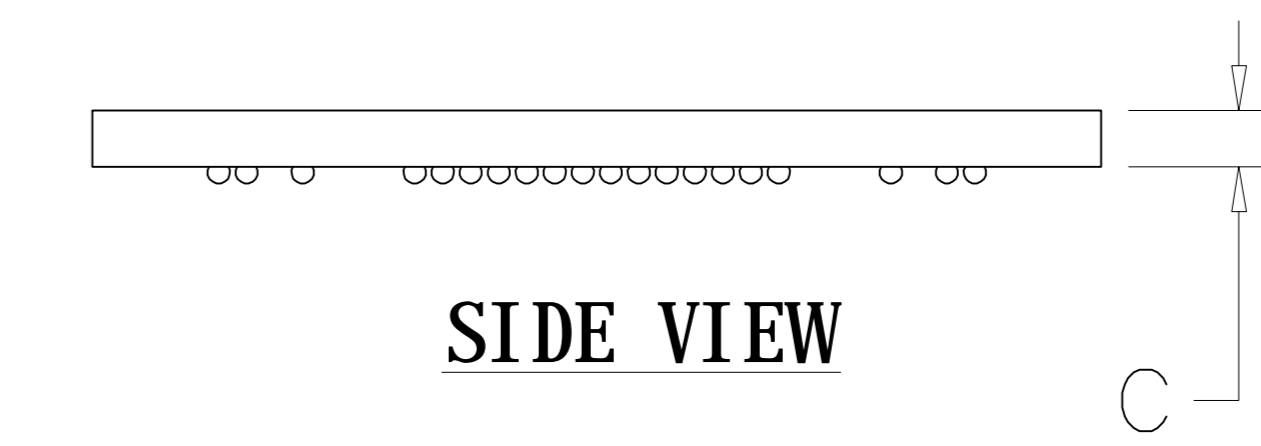
CONTACT TIP DETAIL



TOP VIEW



BOTTOM VIEW



SIDE VIEW

Symbol	Size	Unit	Tolerance
C	0.8/1.0/1.5	mm	±0.05
B	11.5/12/14	mm	±0.10
A	13/16/18	mm	±0.10

PERFORMANCE

1. Insulation Resistance: 1000MΩ Min. At DC 500V
2. Dielectric Withstanding Voltage For 1 Minute At AC 700V
3. Contact Resistance 30mΩ MAX. at 10mA and 20mV MAX. (Initial)
4. Current Rating: 1A max.
5. Operation Temperature -65°C ~+175°C
6. Contact Force 3-5g Per Pin (Normal)
7. Life Span 25,000 Times (Mechanical)
8. Operation Force 1.6 Kg MAX
9. Testing chips with balls of different size or superficial oxidation, even if no ball

No	Part Number	Name	Material	Q/ty	Note
8	310-048-D105D	IC GUIDE	PEI/PES	2	BLACK
7	310-048-C105D	SLIDER	PEI/PES	1	BLACK
6	310-048-C105D	IC HOLDER	PEI/PES	2	BLACK
5	310-048-B105D	COVER	PEI/PES	1	BLACK
4	20-B-4505B	SPRING	SUS	4	FOR COVER
3	310-048-A105D	BASE	PEI/PES	1	BLACK
2	310-048-F105D	LOCATOR	PEI/PES	3	BLACK
1	04-A-1705	CONTACT	BeCu	30	Au PLATING

PROJECTION		GENERAL TOLERANCES	±0.10	TITLE	eMMC2 SOCKET
DIMENSION:	mm	REV	A	CLASS	007-21030B-2102
APP:		SCALE:	1:1	DRW. NO	007-eMMC-0.5-30-B-01
CHECK:		DATE:			
DEGK:	ENG02	DATE:	20120605		

