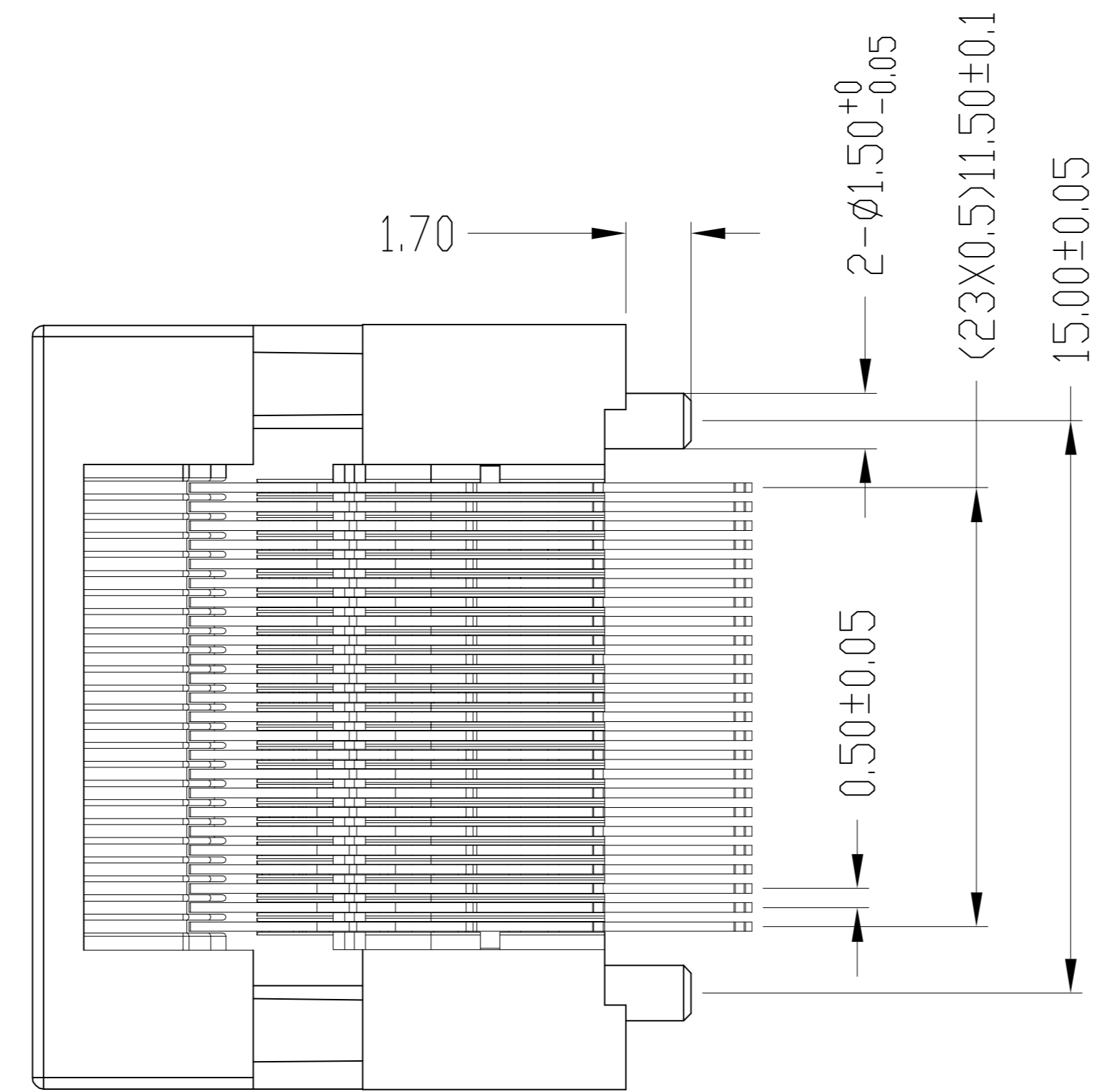
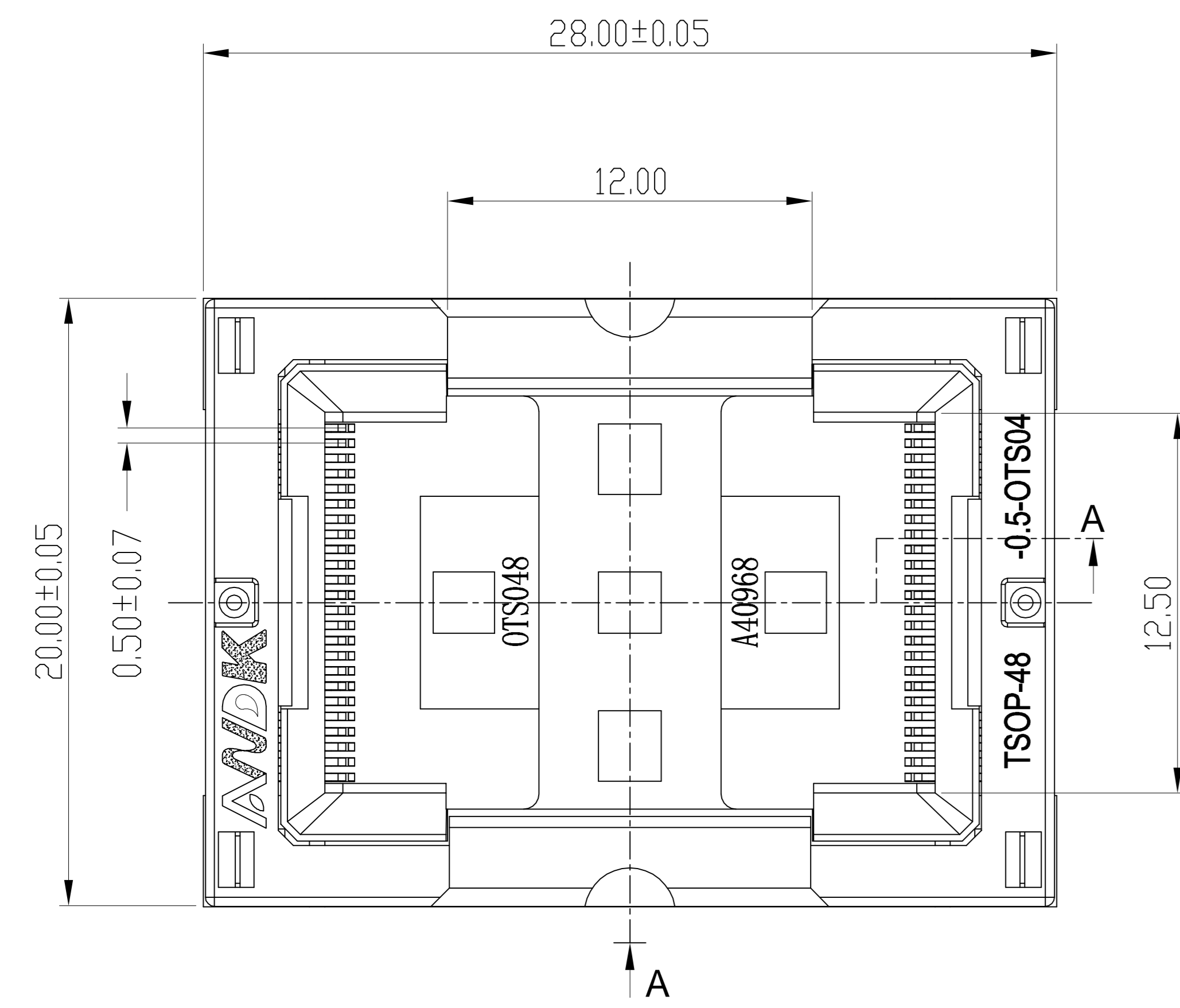
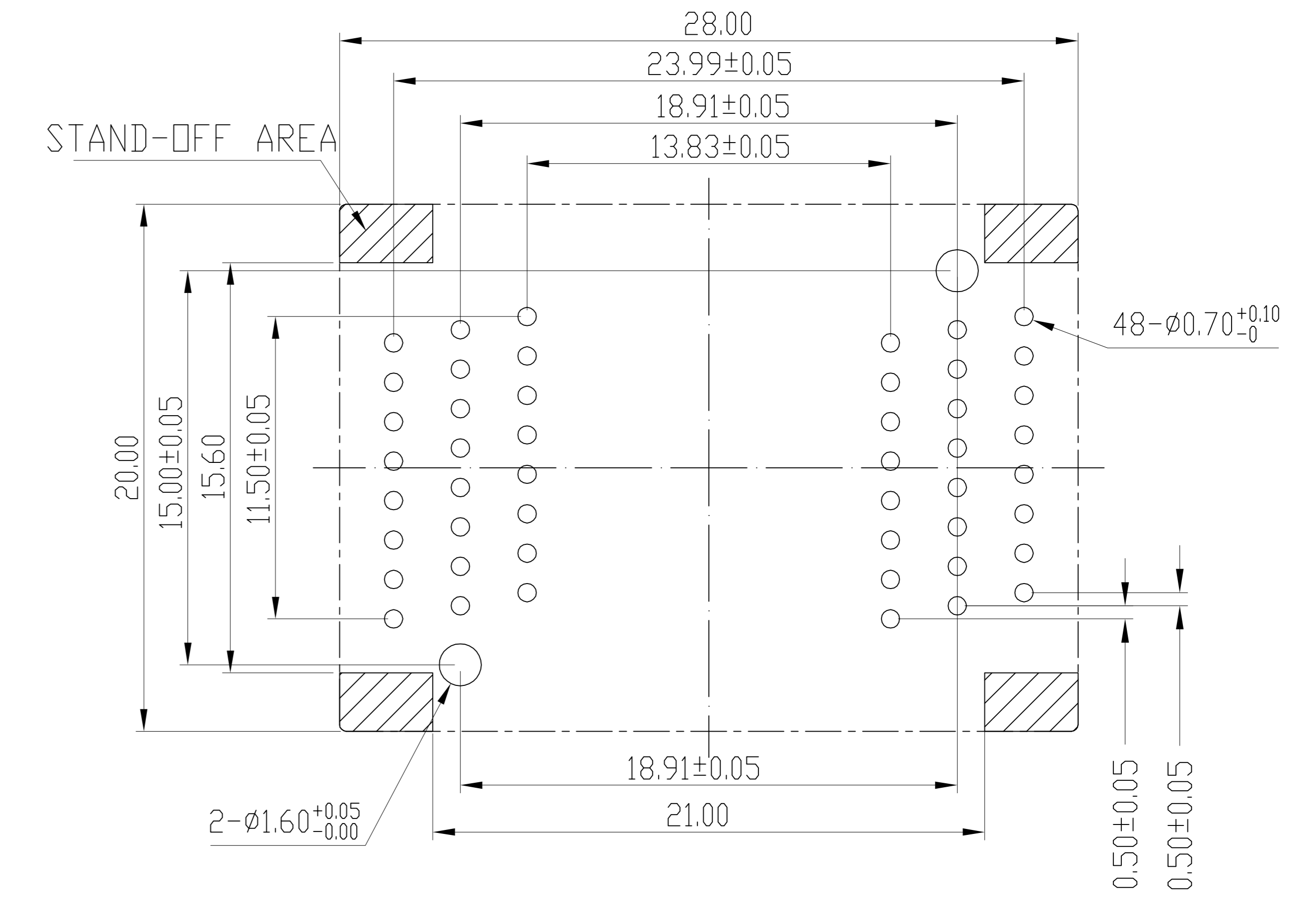


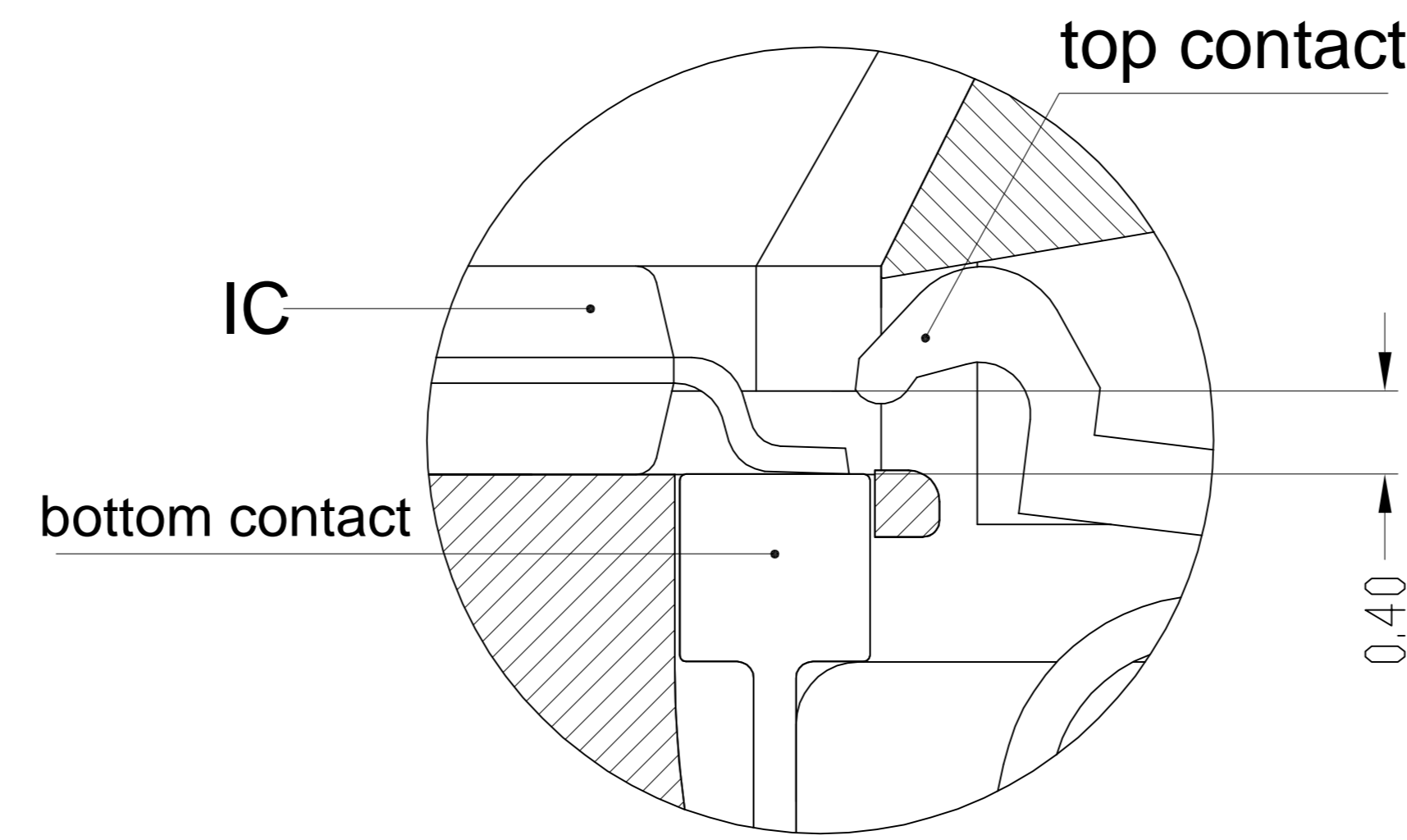
| REVISION | DESCRIPTION | CHECK | APP | DATE | REV. NOTICE. NO |
|----------|-------------|-------|-----|------|-----------------|
| 1 | | | | | |
| 2 | | | | | |
| 3 | | | | | |



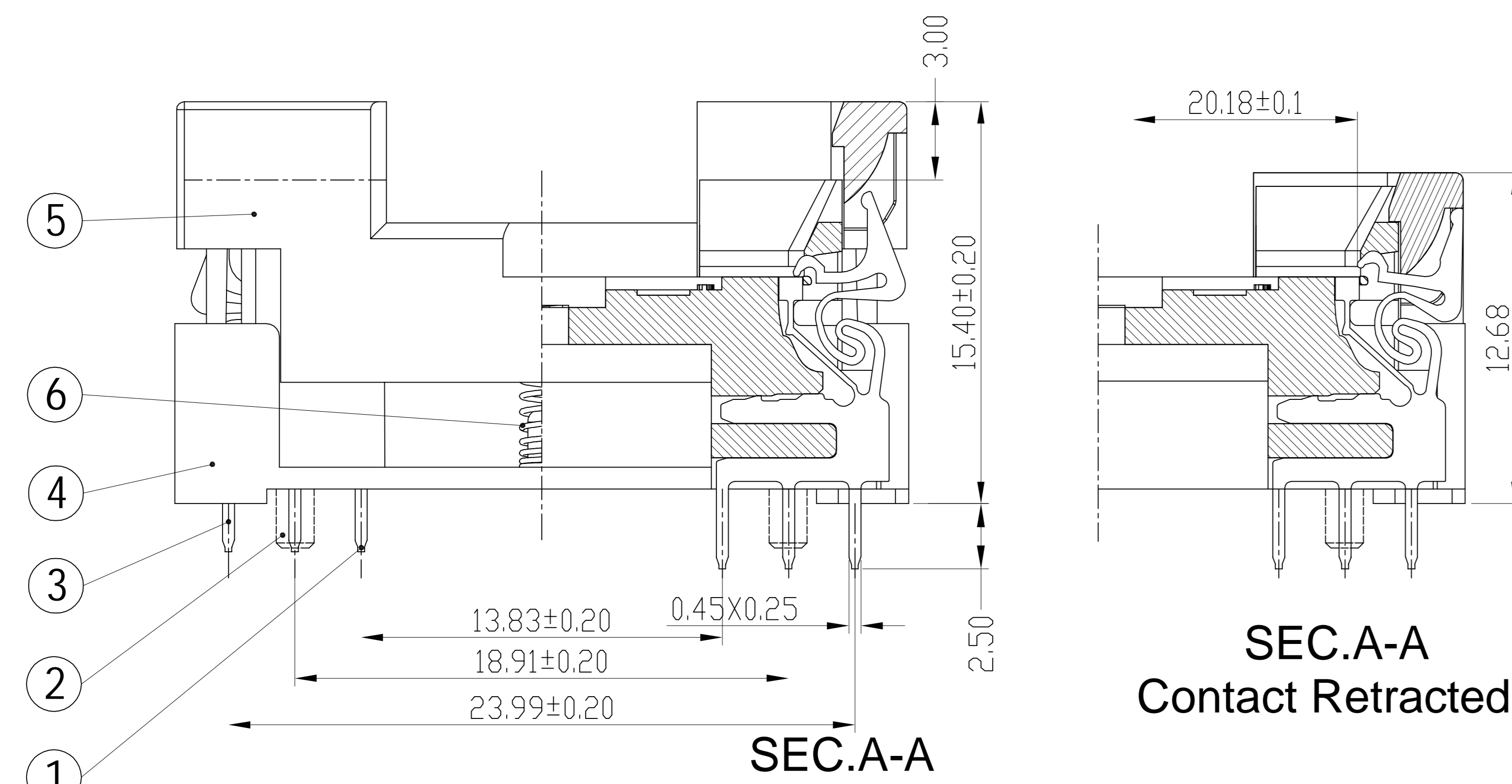
PCB PATTERN (TOP VIEW)



Insertion



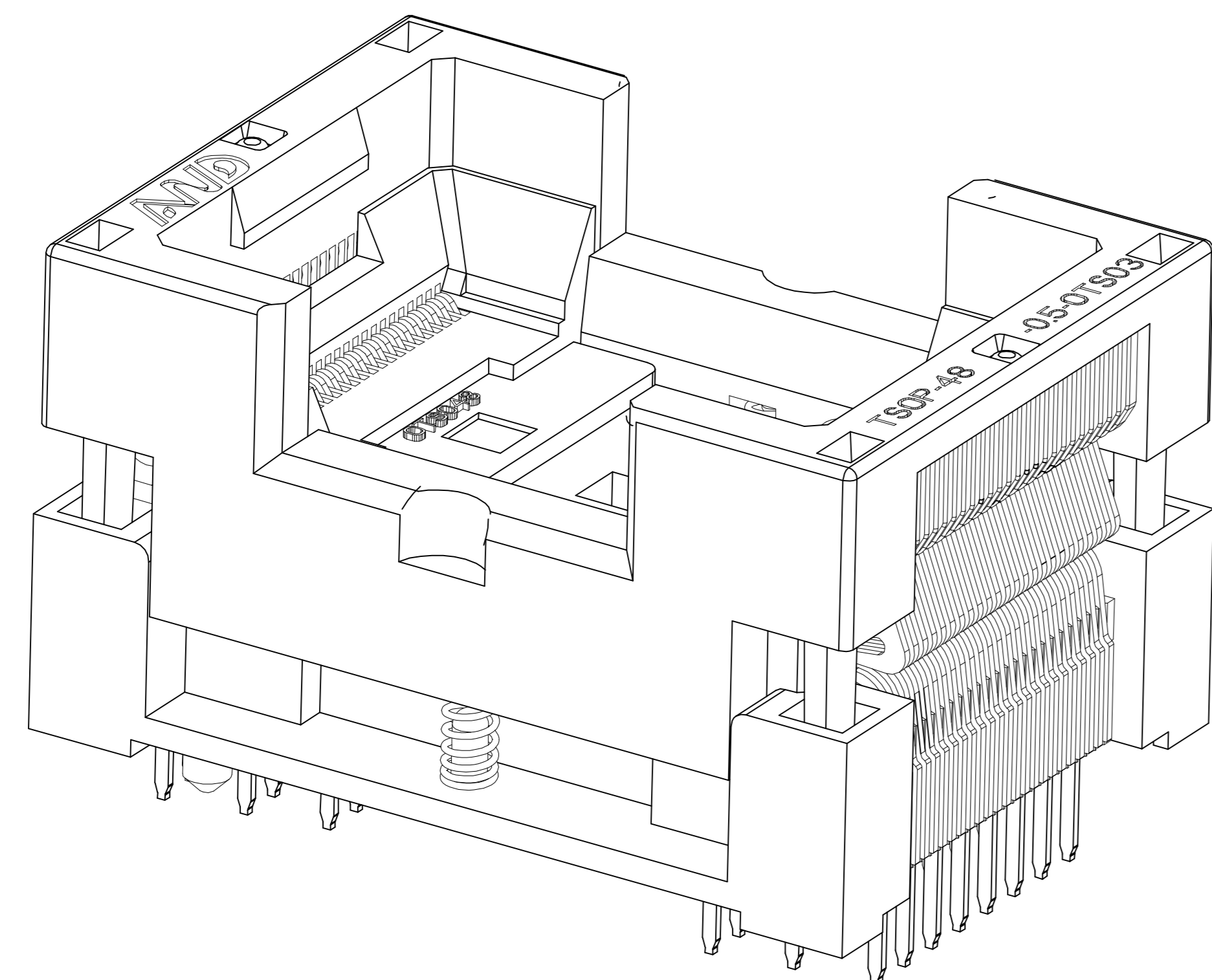
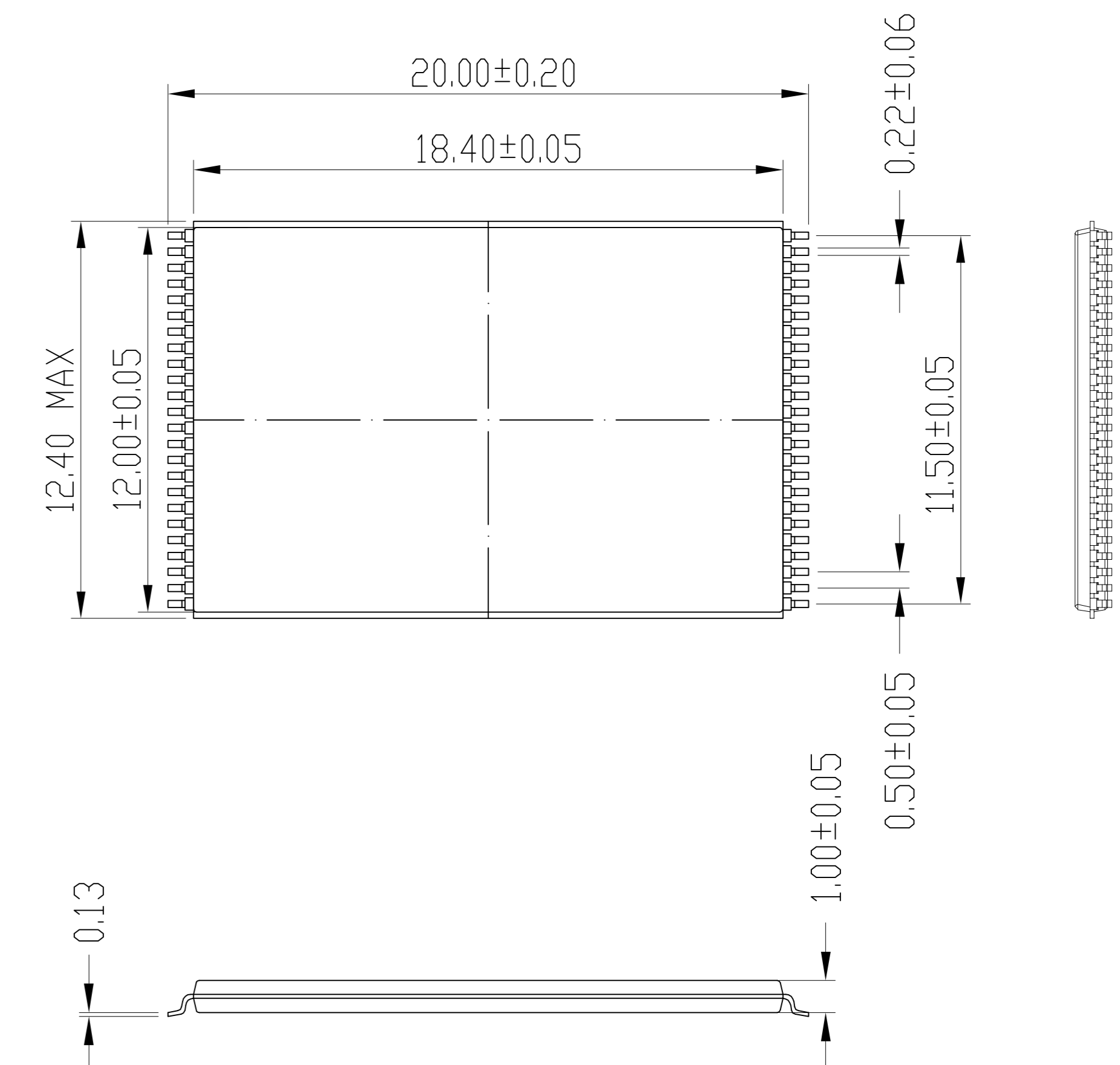
CONTACT TIP DETAIL



SEC.A-A Contact Retracted

CONTACT LEAD
W 0.45Xt 0.25

APPLICABLE IC



PERFORMANCE

1. Insulation Resistance: 1000mΩ Min. At DC 500V
2. Dielectric Withstanding Voltage For 1 Minute At AC 700V
3. Contact Resistance 30mΩ MAX. at 10mA and 20mV MAX.(Initial)
4. Operation Temperature -65°C ~+175°C
5. Contact Force 18g Per Pin (Normal)
6. Life Span 15,000 Times (Mechanical)
7. Operation Force 0.9 Kg MAX

| No | Part Number | Name | Material | Q/ty | Note |
|----|---------------|---------|----------|------|------------|
| 6 | 30-B-4505B | SPRING | SUS | 2 | FOR COVER |
| 5 | 210-048-B105D | COVER | PEI | 1 | BLACK |
| 4 | 210-048-A105D | BASE | PEI | 1 | BLACK |
| 3 | 1013-03LA | CONTACT | BeCu | 16 | Au PLATING |
| 2 | 1013-02LA | CONTACT | BeCu | 16 | Au PLATING |
| 1 | 1013-01LA | CONTACT | BeCu | 16 | Au PLATING |

| PROJECTION | GENERAL TOLERANCES | TITLE |
|------------|--------------------|-------------------|
| | ±0.10 | TSOP48-0.5 SOCKET |
| DIMENSION: | R E V | CLASS |
| mm | SCALE: 1:1 | TSOP-48-0.5-OTS04 |
| APP: | DATE: | DRW. NO |
| CHECK: | DATE: | |
| DEGK: | DATE: 20121009 | |

