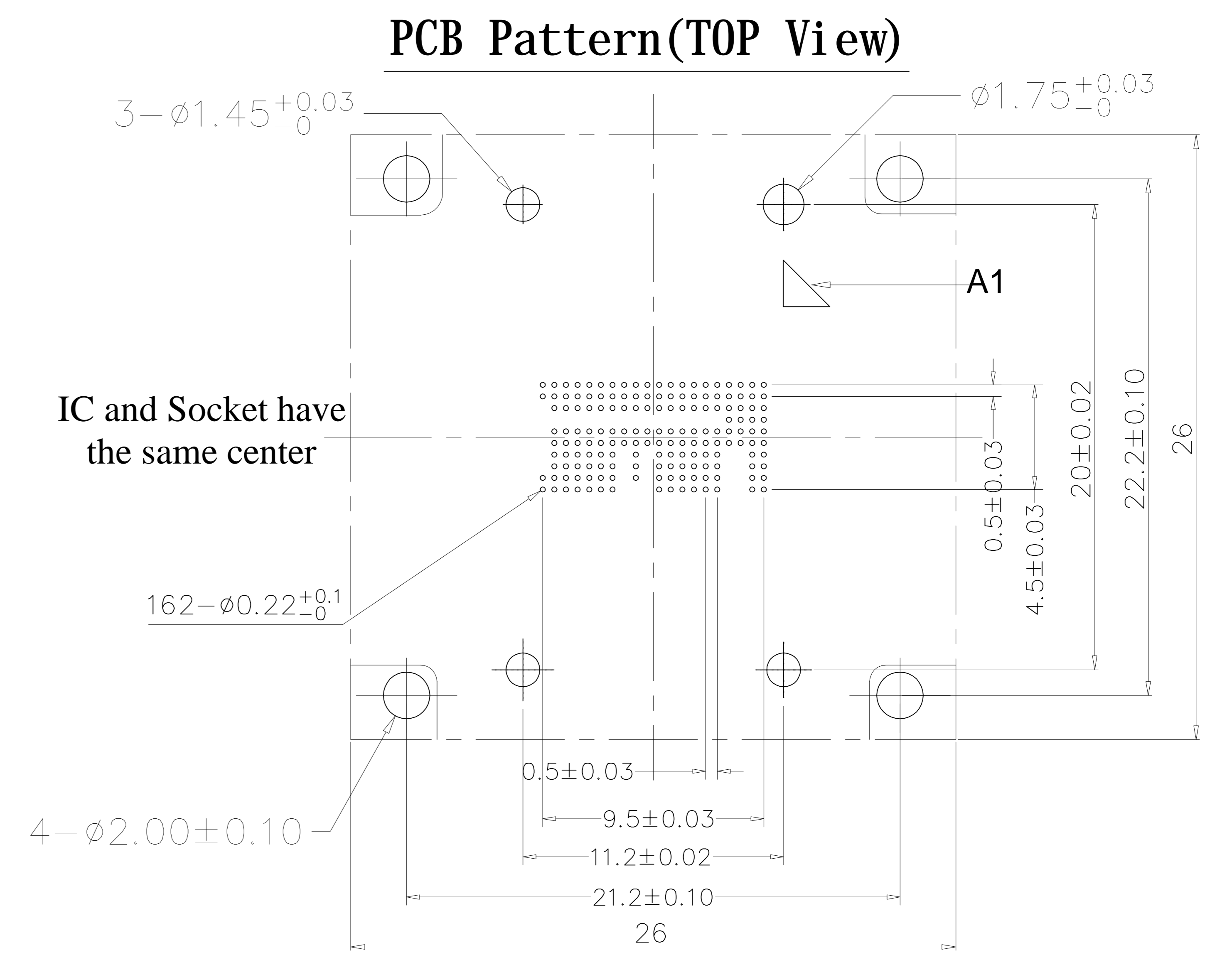
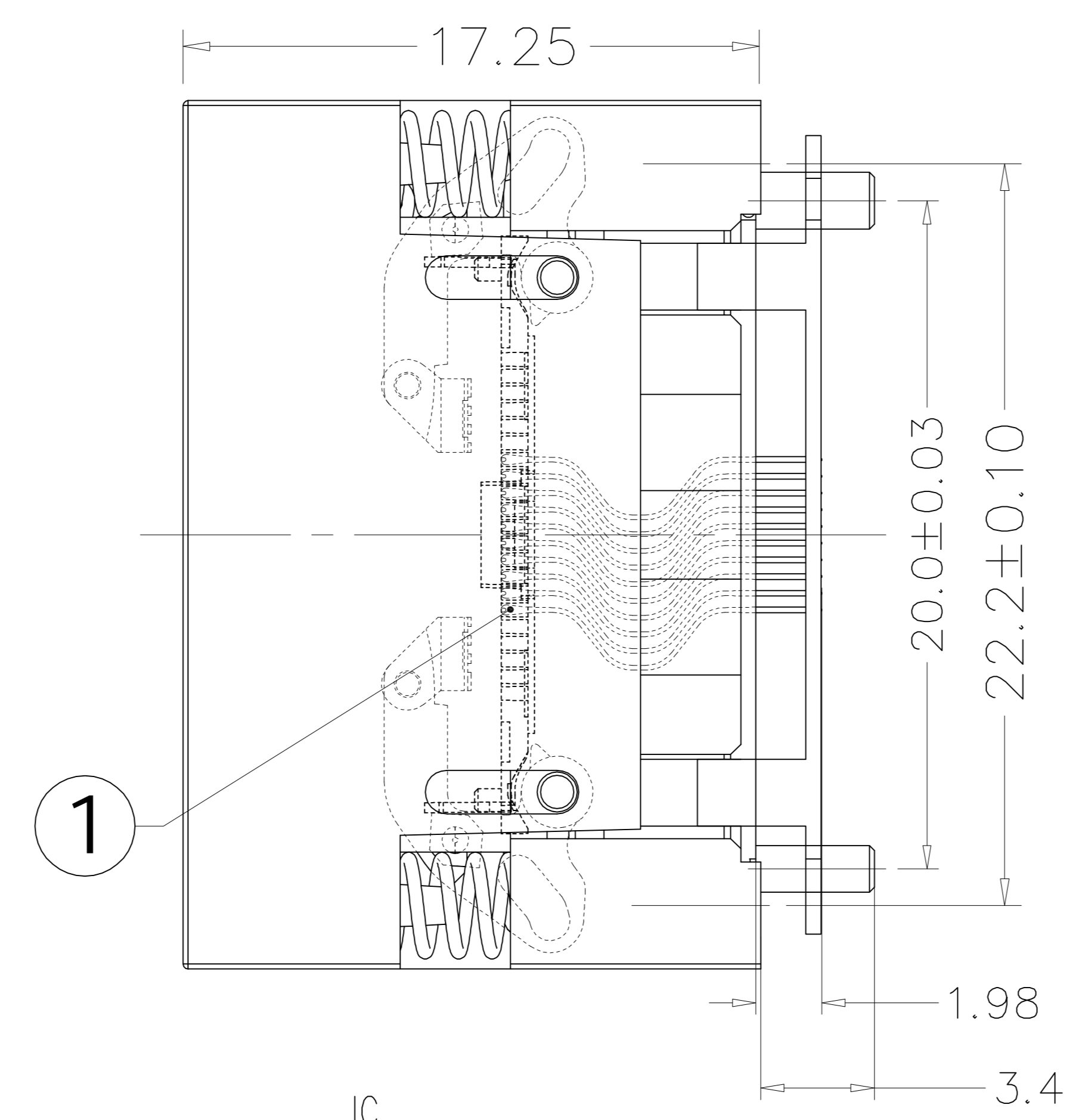
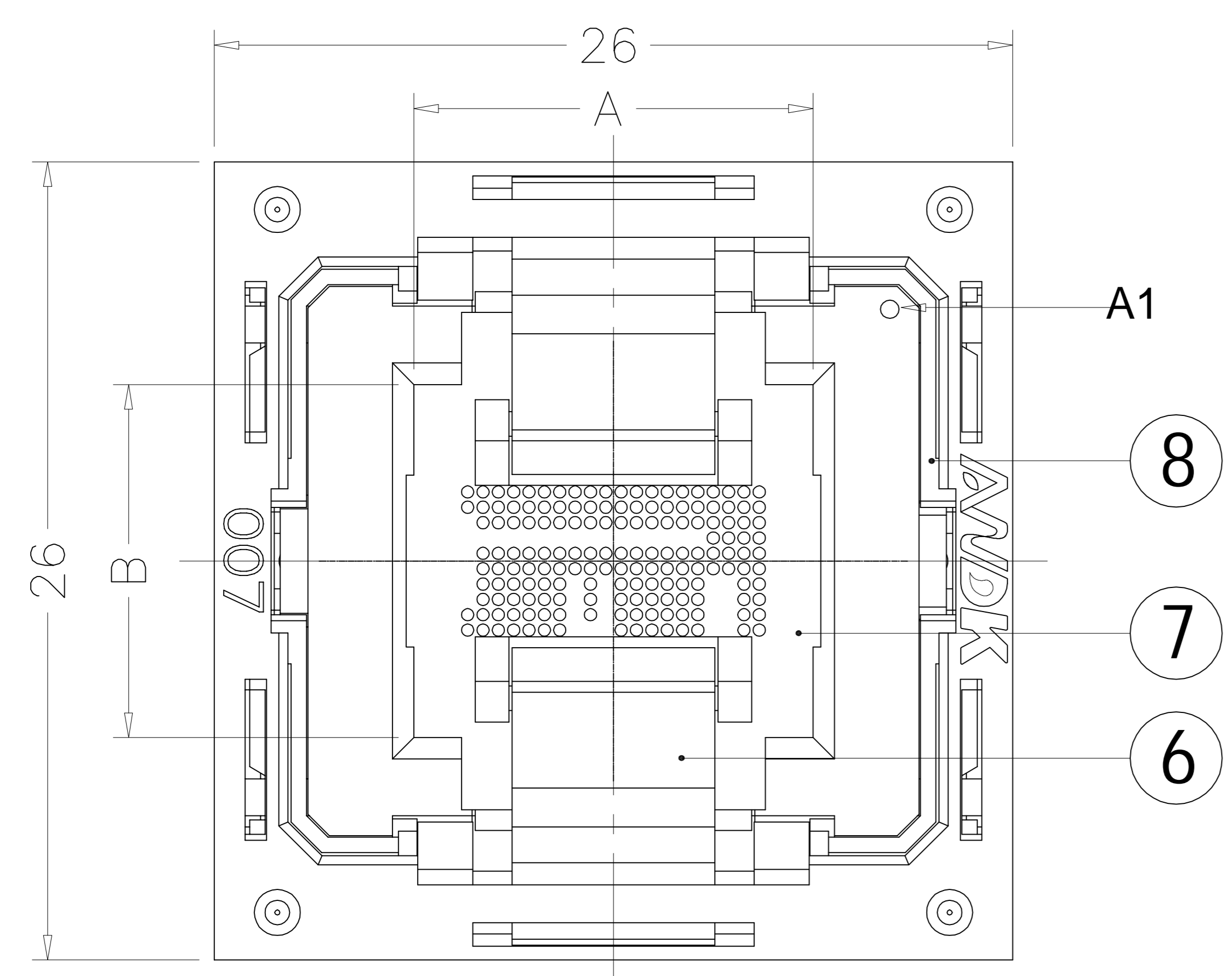
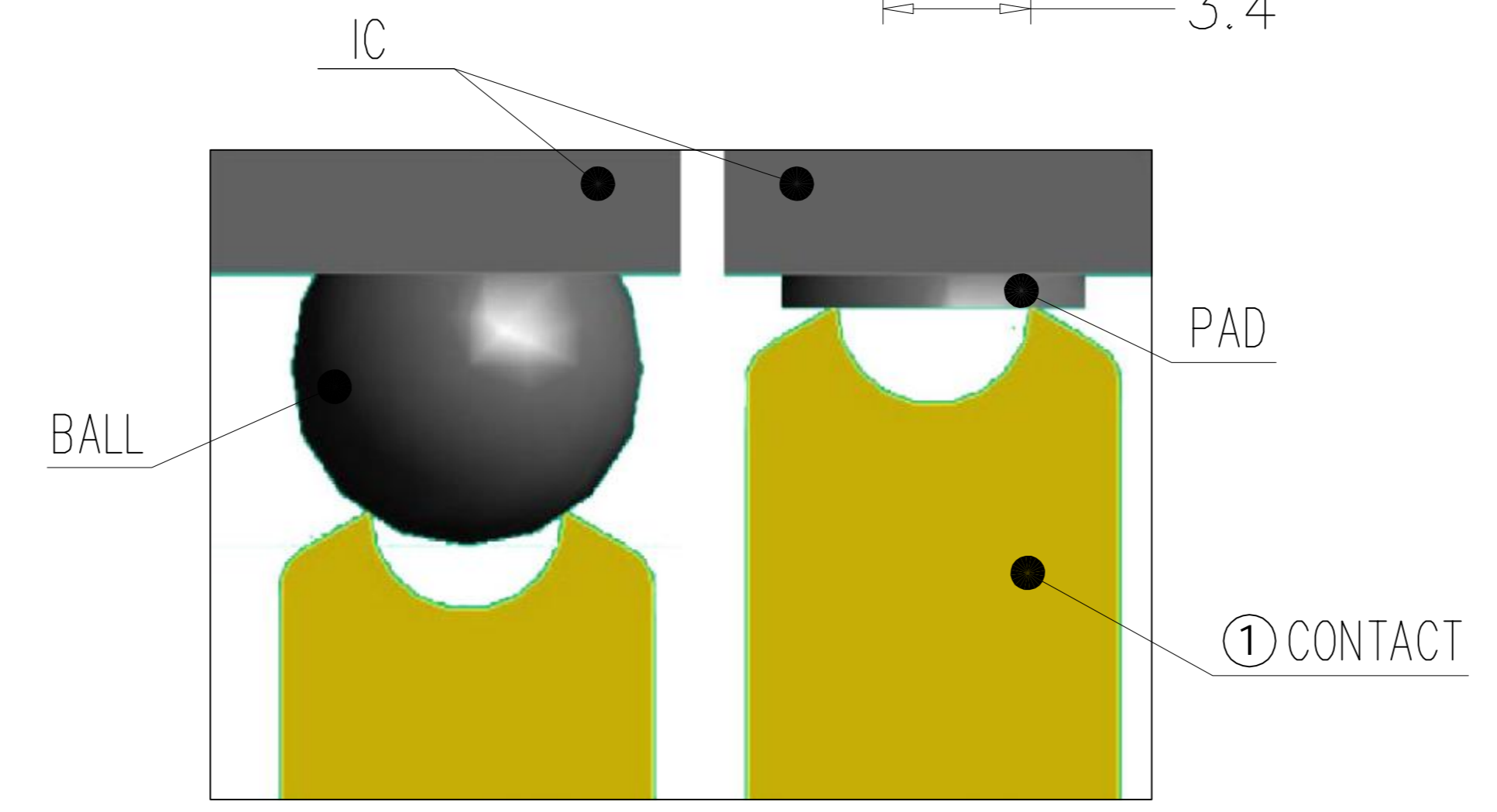
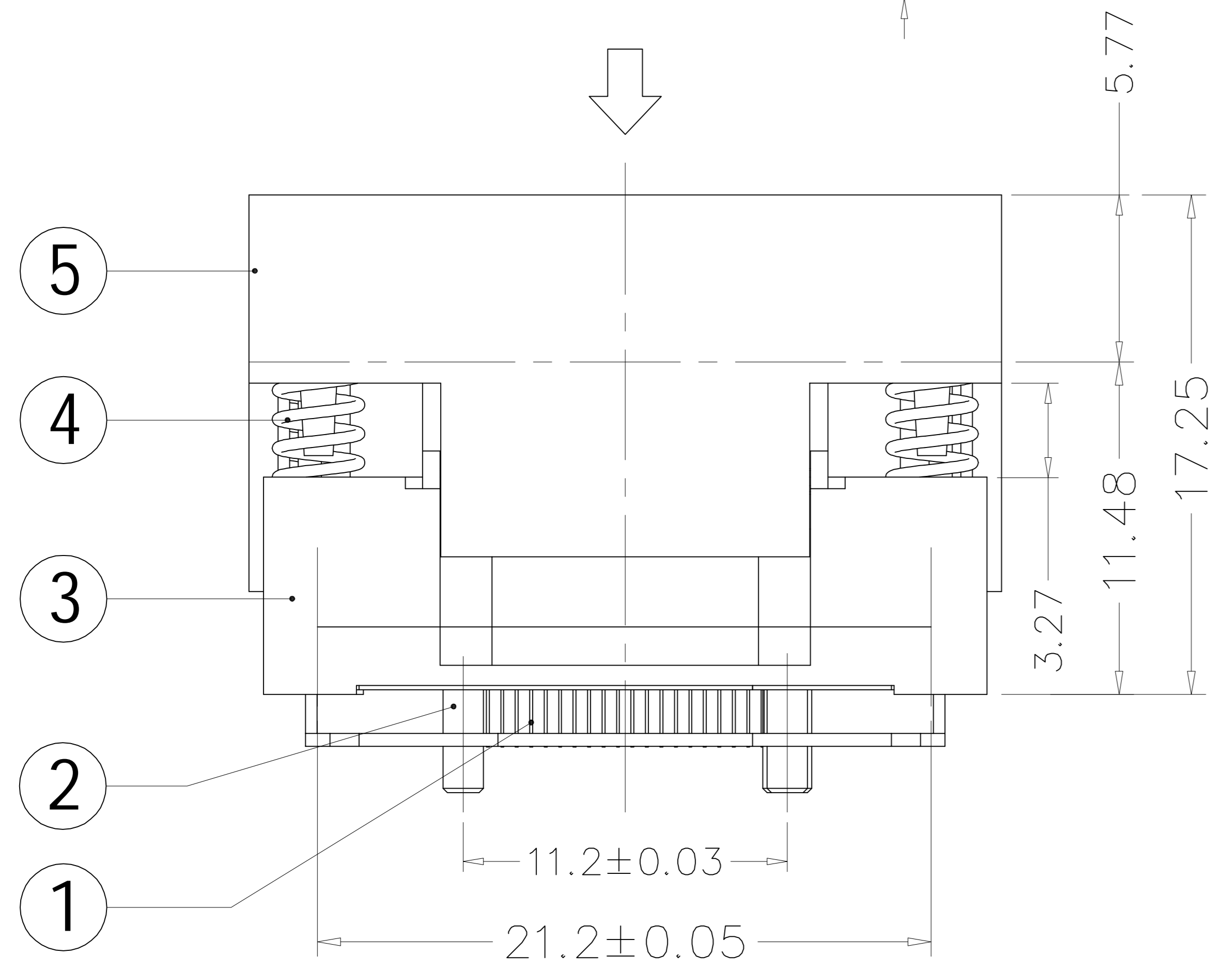
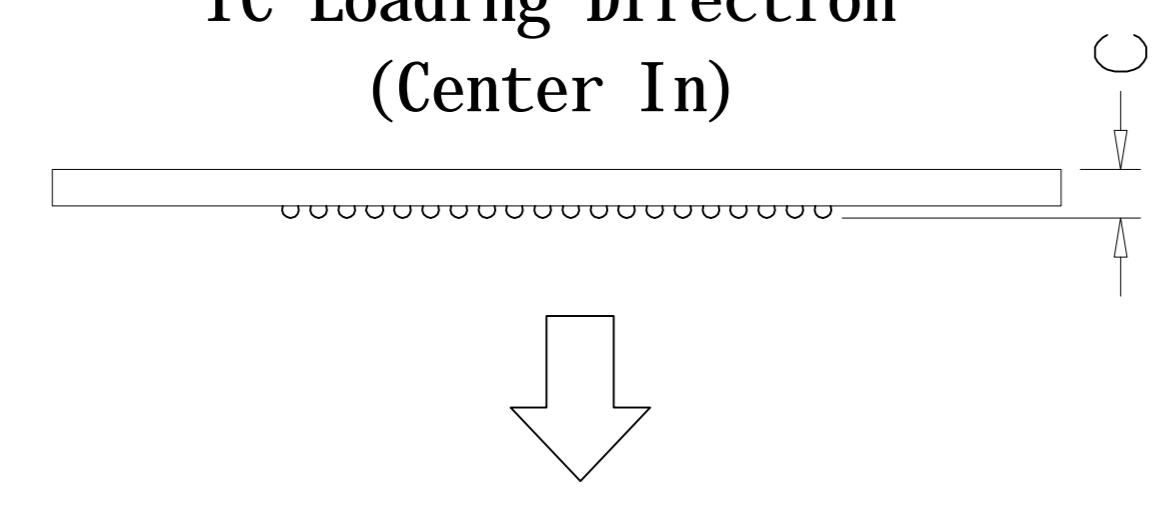


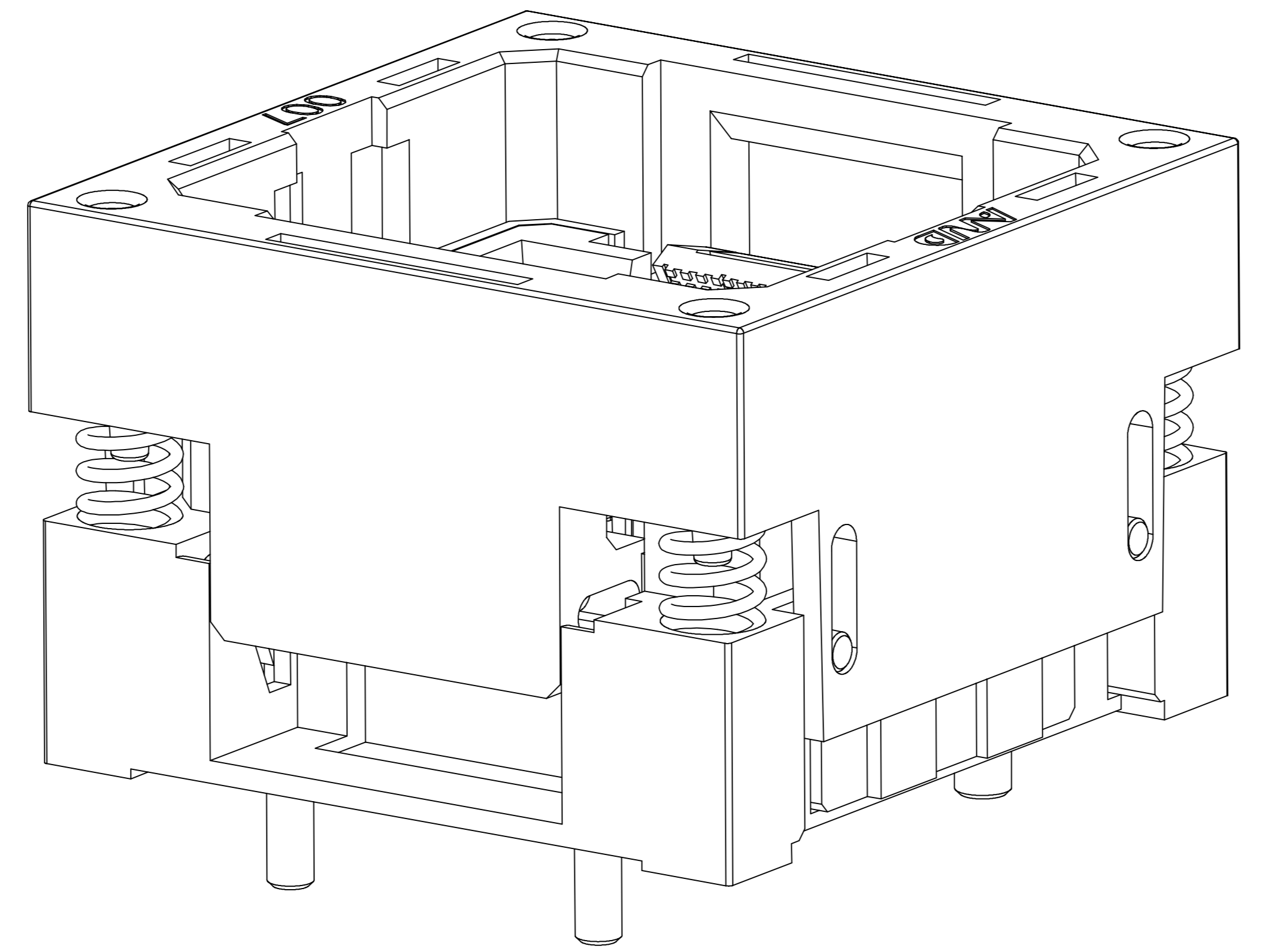
REVISION	DESCRIPTION	CHECK	APP	DATE	REV. NOTICE. NO
△ 1					
△ 2					
△ 3					



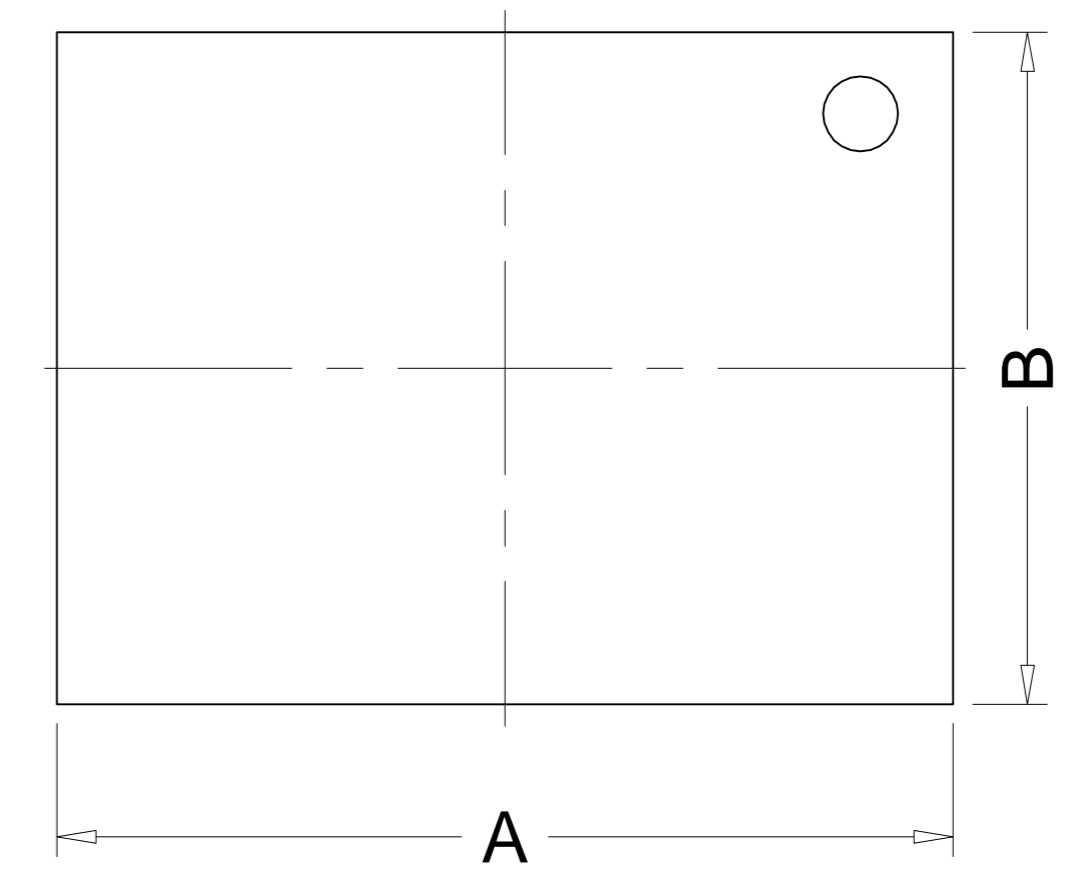
IC Loading Direction  
(Center In)



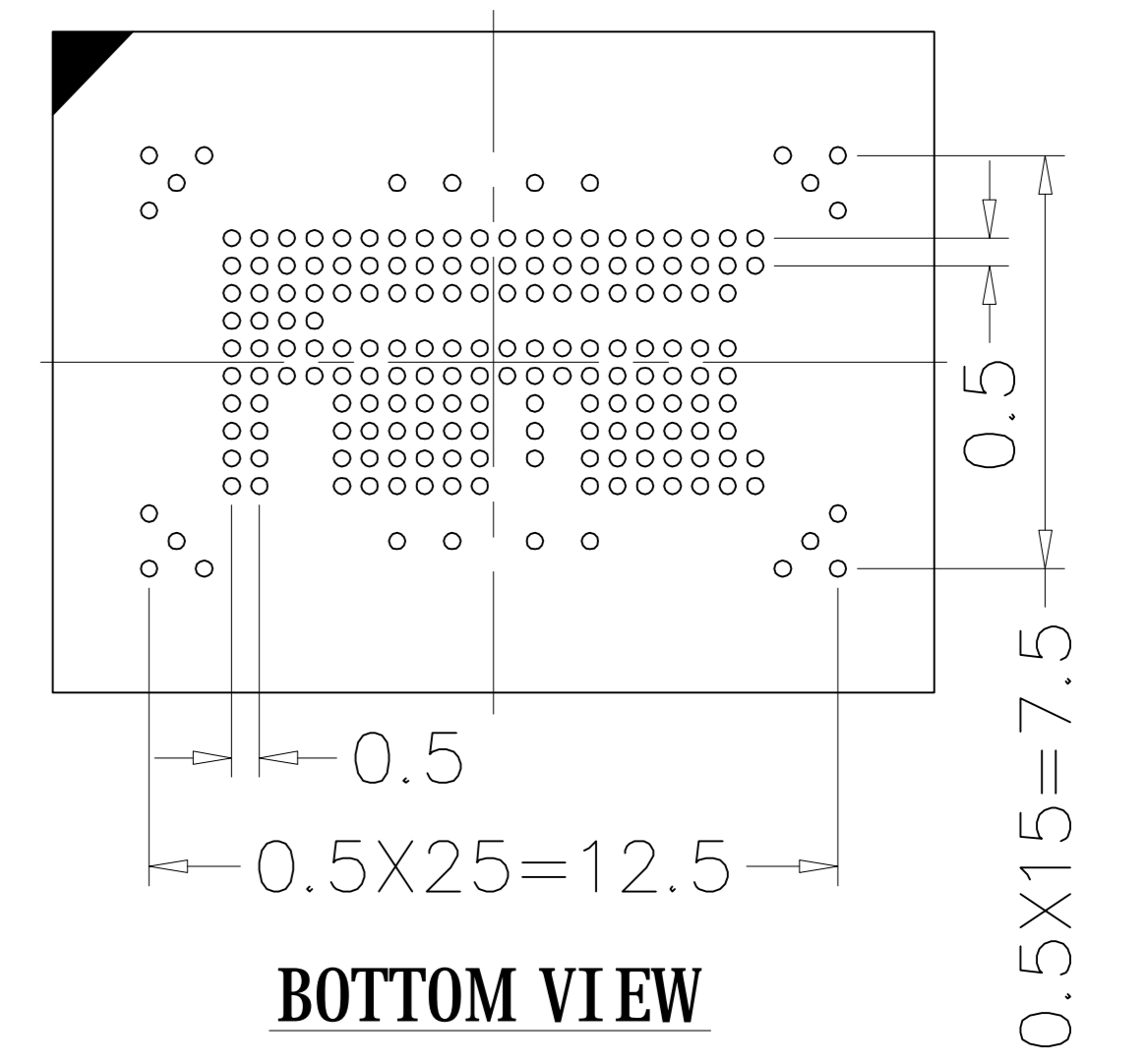
CONTACT TIP DETAIL



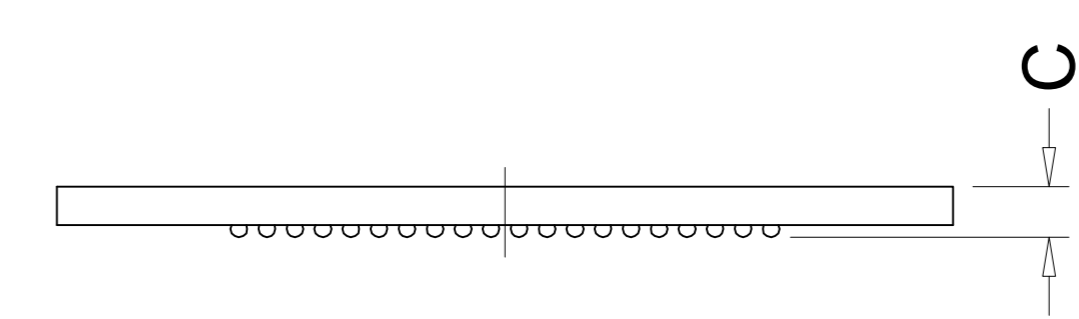
Applicable IC



TOP VIEW



BOTTOM VIEW



SIDE VIEW

Symbol	Size	Unit	Tolerance
C	1.0/1.1/1.2/1.3	mm	±0.05
B	11.5/12.0	mm	±0.10
A	13.0/13.5/16.0	mm	±0.10

PERFORMANCE

- Insulation Resistance: 1000MΩ Min. At DC 500V
- Dielectric Withstanding Voltage For 1 Minute At AC 700V
- Contact Resistance 30mΩ MAX. at 10mA and 20mV MAX.(Initial)
- Current Rating: 1A max.
- Operation Temperature -65°C ~+175°C
- Contact Force 3-5g Per Pin (Normal)
- Life Span 25,000 Times (Mechanical)
- Operation Force 2.1 Kg MAX
- Testing chips with balls of different size or superficial oxidation, even if no ball

No	Part Number	Name	Material	Q/ty	Note
8	310-048-D105D	IC GUIDE	PEI/PES	2	BLACK
7	310-048-C105D	SLIDER	PEI/PES	1	BLACK
6	310-048-C105D	IC HOLDER	PEI/PES	2	BLACK
5	310-048-B105D	COVER	PEI/PES	1	BLACK
4	20-B-4505B	SPRING	SUS	4	FOR COVER
3	310-048-A105D	BASE	PEI/PES	1	BLACK
2	310-048-F105D	LOCATOR	PEI/PES	3	BLACK
1	04-A-1705	CONTACT	BeCu	162	Au PLATING

PROJECTION		GENERAL TOLERANCES	±0.10	TITLE	BGA16201 SOCKET
DIMENSION:	mm	REV	A	CLASS	007-21162B-2101
APP:		SCALE:	1:1	DRW. NO	007-BGA-0.5-162-B-01
CHECK:		DATE:			
DEGK:	ENG02	DATE:	20120605		