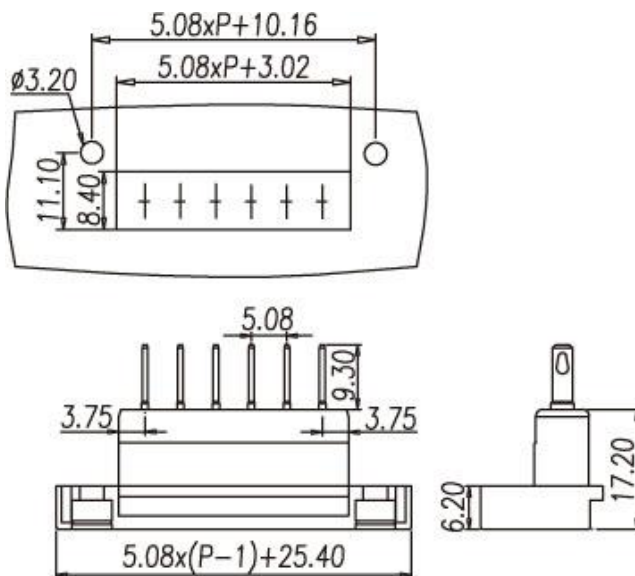
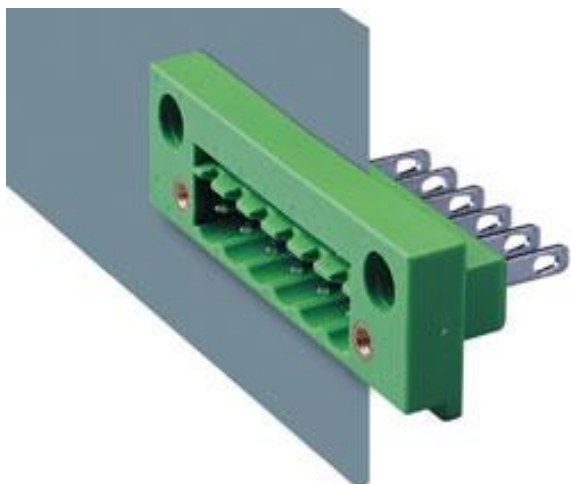


Headers(Sockets) for pluggable terminal blocks



24 2



Pitch: 5.08mm

Approval		
Technical Data	UL	IEC
Rated voltage	300V	600V
Rated current	15A	18A
Conductor cross-section, solid (AWG/ mm ²)		
Conductor cross-section, flexible (AWG/ mm ²)		
Rated surge voltage (UL/IEC/Max.)	1.6 / 4 / 4 KV	
Torque (N-m)		
Screw		
Wire strip length		
Pole	Cat. No.	
02	2 4 2-02P	
:	:	
:	:	
24	2 4 2-24P	

TEL: +86-755-83038001

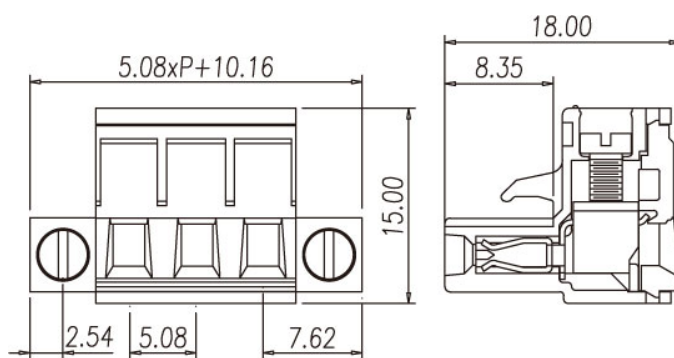
FAX: +86-755-83038001

E-mail: sales@sstar.cn

Plugs for pluggable terminal blocks



224



Pitch: 5.08mm

Approval		
Technical Data	UL	IEC
Rated voltage	300V	600V
Rated current	15A	18A
Conductor cross-section, solid (AWG/ mm ²)	28~12 / 0.2~2.5	
Conductor cross-section, flexible (AWG/ mm ²)	30~12 / 0.2~2.5	
Rated surge voltage (UL/IEC/Max.)	1.6 / 4 / 4 KV	
Torque (N-m)	0.51	
Screw	M2.5	
Wire strip length	7~8mm	
Pole	Cat. No.	
02	224M-02P	
:	:	
:	:	
24	224M-24P	

TEL: +86-755-83038001

FAX: +86-755-83038001

E-mail: sales@sxtar.cn