

Model 1216 Axial Torsion Load Cell

Why the Interface model 1216 Axial Torsion Load Cell is the best in class:

- Measures load and torque
- Minimal crosstalk
- Extraneous load resistance
- Fatigue rated



OPTIONS

- Integral Cable
- Compression Overload Protection
- Connector Protector

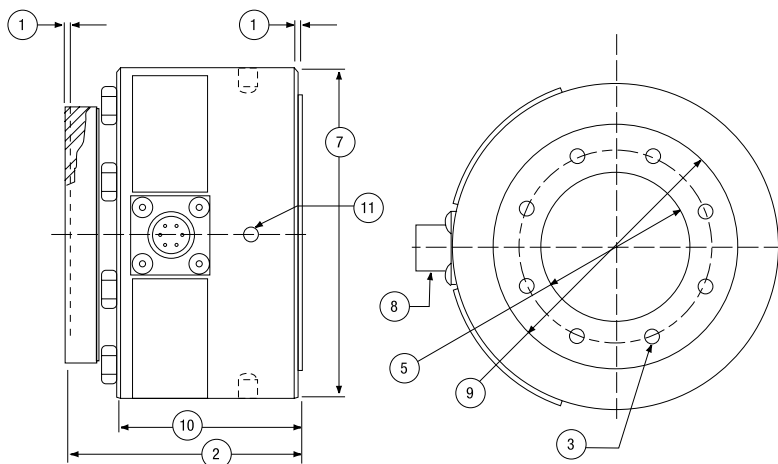
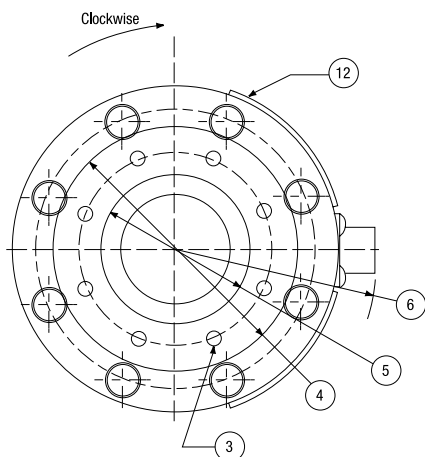
SPECIFICATIONS

ACCURACY – (MAX ERROR)	Axial Bridge A	Torsion Bridge B
Nonlinearity–% FS	±0.04	±0.07
Hysteresis–% FS	±0.04	±0.05
Nonrepeatability–% RO	±0.02	±0.05
Creep, in 20 min–%	±0.025	±0.025

TEMPERATURE		
Compensated Range–°F	15 to 115	15 to 115
Compensated Range–°C	-10 to 45	-10 to 45
Operating Range–°F	-65 to 200	-65 to 200
Operating Range–°C	-55 to 90	-55 to 90
Effect on Output–%/100°F – MAX	±0.08	±0.08
Effect on Zero–% RO/100°F – MAX	±0.08	±0.08

ELECTRICAL		
Rated Output–mV/V (Nominal)	1.50	1.80
Zero Balance–% RO	±2.0	±2.0
Input Resistance–Ohms	700±7	700±7
Output Resistance–Ohms	700±7	700±7
Excitation Voltage – MAX	20 VDC	20 VDC

MECHANICAL		
Calibration	T&C	CW & CCW
Safe Overload–% CAP	±200	±200
Ultimate Overload–% CAP	±400	±400



DIMENSIONS

See Drawing	MODEL 1216	
	CAPACITY (lbf)/(inch-lb)	
	250/125, 500/250, 1K/500, 2K/1000	
	inch	mm
①	0.070	1.78
②	3.00	76.2
③	0.250-28 x 0.43 deep on a 2.600 B.C.	
④	3.20	81.3
⑤	2.000 + 0.002 / -0.000	
⑥	2.77	70.3
⑦	4.13	104.3
⑧	PT02E-12-8P	
⑨	3.200	81.28
⑩	2.33	59.2
⑪	0.25	6.4
	0.25 deep	6.4 deep
⑫	Label	