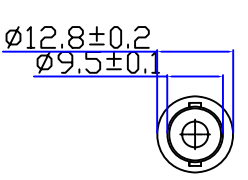
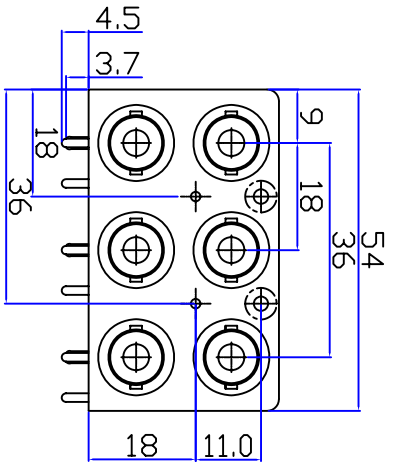
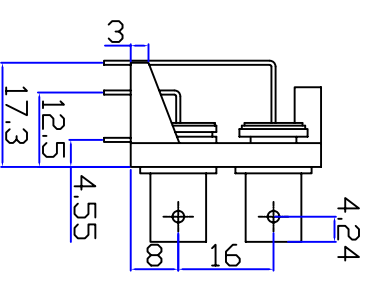
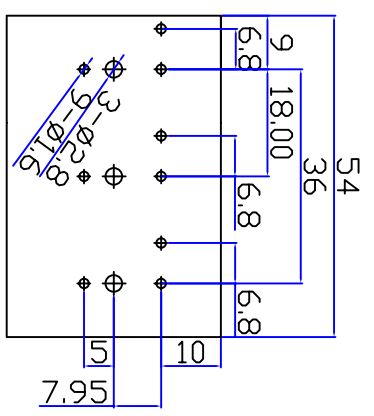
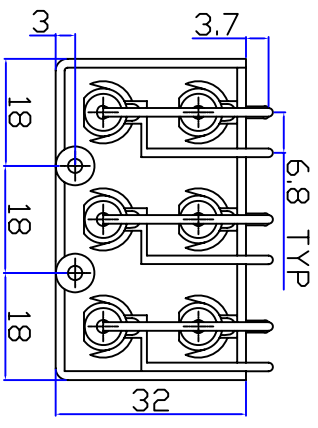
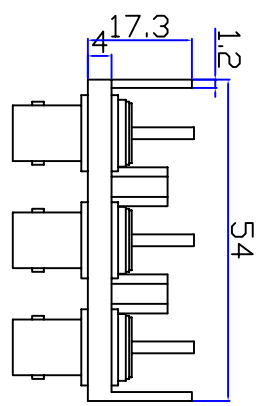




Product NO.		DOSIN-801-0016		
REV	DESCRIPTION	DWN	DATE	APPROVEN
A	First Issue	JJM	2012/11/02	John kime



NOTE:		DRAWN		2012/11/10		Tolerance		0-6 6-30 30-120 Angular		±0.15 ±0.20 ±0.5 ±2°	
Zelin Zhang		CHECKED				View		MM		1:1	
APPROVALS		DATE		SCALE		UNIT		MM		1:1	
Yalan Xie		19/04/2012									
Name:		Product NO.		CAD FILE		SHEET: 1 OF 1		DOSIN-801-0016		REV B	
BNC 2x3 CONNECTOR DNN				DOSIN-801-0016							
Date/Time		2012/11/02		D/company drawings/BD							

5	Solder column	Iron	NICKEL	6
4	IRON PLATES	Iron	NICKEL	1
3	PANEL	ABS	BLACK	1
2	PIN	BRASS	NICKEL	6
1	BODY	ZINC	NICKEL	6
NO	DESCRIPTION	MATERIAL	FINISH	QTY

5	Iron	NICKEL	6	
4	Iron	NICKEL	1	
3	ABS	BLACK	1	
2	BRASS	NICKEL	6	
1	ZINC	NICKEL	6	
NO	DESCRIPTION	MATERIAL	FINISH	QTY