

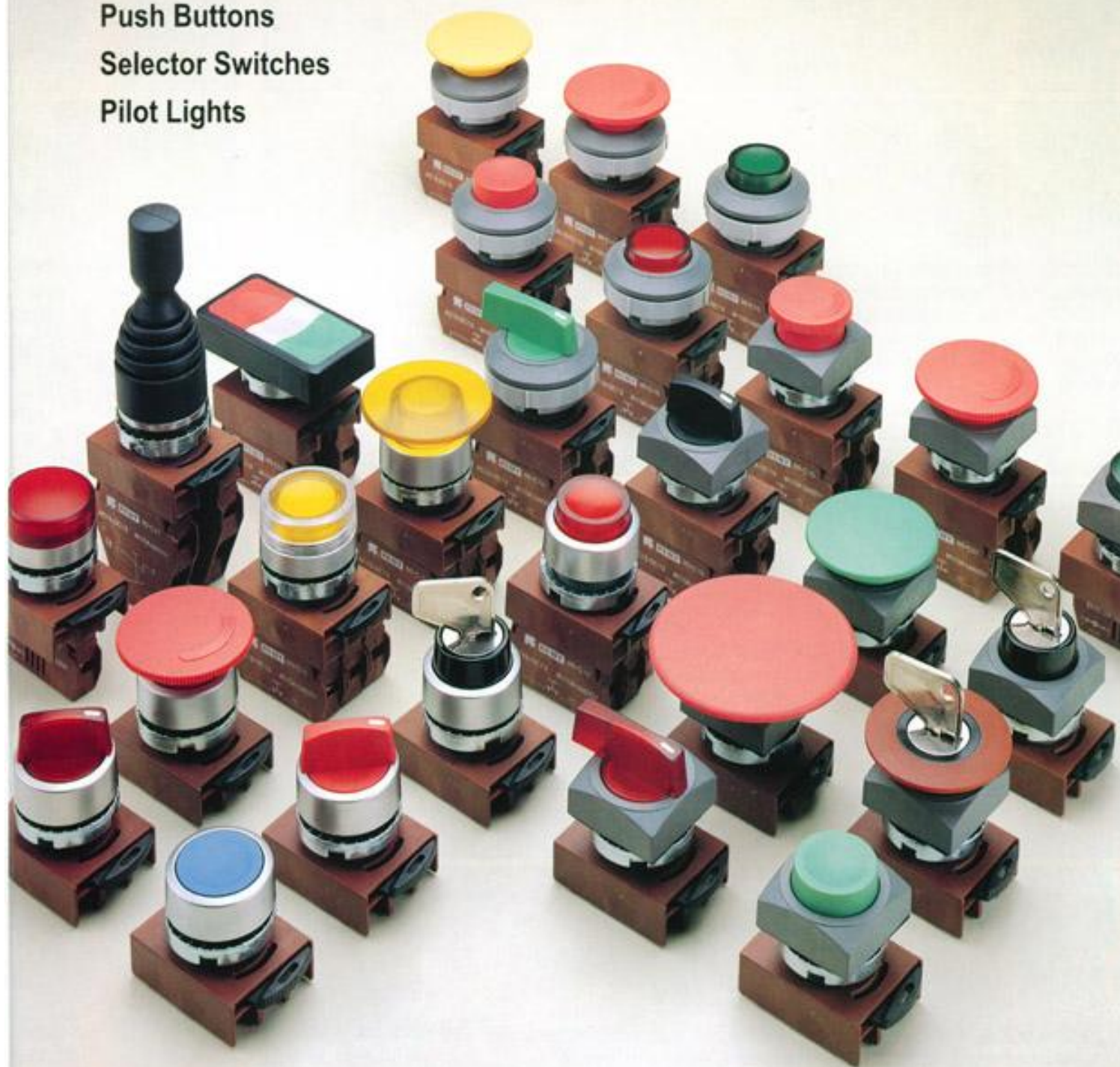


Power Controls

Push Buttons

Selector Switches

Pilot Lights



PANEL MOUNTING



Standard control unit



220 Round



<ul style="list-style-type: none"> ● R2PNF-R ● R2PNF-G ● R2PNF-Y ● R2PNF-B ● R2PNF-BL 	<ul style="list-style-type: none"> ● R2PNH-R ● R2PNH-G ● R2PNH-Y ● R2PNH-B ● R2PNH-BL 	<ul style="list-style-type: none"> ● R2PNM4-R ● R2PNM4-G ● R2PNM4-Y ● R2PNM4-B ● R2PNM4-BL 	<ul style="list-style-type: none"> ● R2PNM6-R 	<ul style="list-style-type: none"> ● R2PNR3-R 	<ul style="list-style-type: none"> ● R2PNR4

300 Round



<ul style="list-style-type: none"> ● R3PNF-R ● R3PNF-G ● R3PNF-Y ● R3PNF-B ● R3PNF-BL 	<ul style="list-style-type: none"> ● R3PNH-R ● R3PNH-G ● R3PNH-Y ● R3PNH-B ● R3PNH-BL 	<ul style="list-style-type: none"> ● R3PNM4-R ● R3PNM4-G ● R3PNM4-Y ● R3PNM4-B ● R3PNM4-BL 	<ul style="list-style-type: none"> ● R3PNM6-R 	<ul style="list-style-type: none"> ● R3PNR3-R 	<ul style="list-style-type: none"> ● R3PNR4

220 Square



<ul style="list-style-type: none"> ● RSPNF-R ● RSPNF-G ● RSPNF-Y ● RSPNF-B ● RSPNF-BL 	<ul style="list-style-type: none"> ● RSPNH-R ● RSPNH-G ● RSPNH-Y ● RSPNH-B ● RSPNH-BL 	<ul style="list-style-type: none"> ● RSPNM4-R ● RSPNM4-G ● RSPNM4-Y ● RSPNM4-B ● RSPNM4-BL 	<ul style="list-style-type: none"> ● RSPNM6-R 	<ul style="list-style-type: none"> ● RSPNR3-R 	<ul style="list-style-type: none"> ● RSPNR4

Example: Blue Push button
in metal, round
with flush cap
+ 2 contacts NO
=
R2PNF-BL
+
2x R9C10VN

Illuminated co



Push button mushroom head Ø40mm with key ● R2PNKM4-R	Selector switch with knob ● R2SNS-R ● R2SNS-G ● R2SNS-Y ● R2SNS-B ● R2SNS-BL	Selector switch with lever ● R2SNL-R ● R2SNL-G ● R2SNL-Y ● R2SNL-B ● R2SNL-BL	Selector switch with key ● R2SNK	Joystick ● R2MNF2 ● R2MNT2 ● R2MNF4 ● R2MNT4

Illuminated push button with flush cap ● R2PIF-R ● R2PIF-G ● R2PIF-Y ● R2PIF-W ● R2PIF-BL ● R2PIF-O	Illumin push b with rai ● R2PI ● R2PI ● R2PI ● R2PI ● R2P ● R2P

Push button mushroom head Ø40mm with key ● R3PNKM4-R	Selector switch with knob ● R3SNS-R ● R3SNS-G ● R3SNS-Y ● R3SNS-B ● R3SNS-BL	Selector switch with lever ● R3SNL-R ● R3SNL-G ● R3SNL-Y ● R3SNL-B ● R3SNL-BL	Selector switch with key ● R3SNK

Illumin push b with rai ● R3PI ● R3PI ● R3PI ● R3PI ● R3P ● R3P

Push button mushroom head Ø40mm with key ● RSPNKM4-R	Selector switch with knob ● RSSNS-R ● RSSNS-G ● RSSNS-Y ● RSSNS-B ● RSSNS-BL	Selector switch with lever ● RSSNL-R ● RSSNL-G ● RSSNL-Y ● RSSNL-B ● RSSNL-BL	Selector switch with key ● RSSNK	Double function push button □ R2PND

Illumin push b with rai ● RSP ● RSP ● RSP ● RSP ● RSP ● RSP

Control unit



Signalling unit



<p>Illuminated push button with mushroom head Ø40mm</p> <ul style="list-style-type: none"> +R +G +Y +W +BL +O <ul style="list-style-type: none"> ● R2PIM4-R ● R2PIM4-G ● R2PIM4-Y 	<p>Illuminated selector switch with knob</p> <ul style="list-style-type: none"> ● R2SIS-R ● R2SIS-G ● R2SIS-Y ● R2SIS-BL 	<p>Illuminated selector switch with lever</p> <ul style="list-style-type: none"> ● R2SIL-R ● R2SIL-G ● R2SIL-Y ● R2SIL-BL 	
--	--	---	--

<p>Pilot light diffused lens with flash cap</p> <ul style="list-style-type: none"> ● R2LIF-R ● R2LIF-G ● R2LIF-Y ○ R2LIF-W ● R2LIF-BL ● R2LIF-O 	<p>Pilot light diffused lens with raised cap</p> <ul style="list-style-type: none"> ● R2LIH-R ● R2LIH-G ● R2LIH-Y ○ R2LIH-W ● R2LIH-BL ● R2LIH-O 	<p>Pilot light unibloc with flash cap</p> <ul style="list-style-type: none"> ● R2LUF-R ● R2LUF-G ● R2LUF-Y ○ R2LUF-W ● R2LUF-BL ● R2LUF-O
---	--	---

<p>Illuminated push button with mushroom head Ø40mm</p> <ul style="list-style-type: none"> +R +G +Y +W +BL +O <ul style="list-style-type: none"> ● R3PIM4-R ● R3PIM4-G ● R3PIM4-Y 	<p>Illuminated selector switch with knob</p> <ul style="list-style-type: none"> ● R3SIS-R ● R3SIS-G ● R3SIS-Y ● R3SIS-BL 	<p>Illuminated selector switch with lever</p> <ul style="list-style-type: none"> ● R3SIL-R ● R3SIL-G ● R3SIL-Y ● R3SIL-BL 	
--	--	---	--

<p>Pilot light diffused lens with raised cap</p> <ul style="list-style-type: none"> ● R3LIH-R ● R3LIH-G ● R3LIH-Y ○ R3LIH-W ● R3LIH-BL ● R3LIH-O
--

<p>Illuminated push button with mushroom head Ø40mm</p> <ul style="list-style-type: none"> +R +G +Y +W +BL +O <ul style="list-style-type: none"> ● RSPIM4-R ● RSPIM4-G ● RSPIM4-Y 	<p>Illuminated selector switch with knob</p> <ul style="list-style-type: none"> ● RSSIS-R ● RSSIS-G ● RSSIS-Y ● RSSIS-BL 	<p>Illuminated selector switch with lever</p> <ul style="list-style-type: none"> ● RSSIL-R ● RSSIL-G ● RSSIL-Y ● RSSIL-BL 	<p>Double function with indicator light white lens</p> <ul style="list-style-type: none"> ■ R2PID-R ■ R2PID-G ■ R2PID-O □ R2PID-W 	
--	--	---	---	--

<p>Pilot light diffused lens with raised cap</p> <ul style="list-style-type: none"> ● RSLIH-R ● RSLIH-G ● RSLIH-Y ○ RSLIH-W ● RSLIH-BL ● RSLIH-O
--

Signalling unit



Push-on / push off



Contact blocks



R9C10VN
NO



R9C01VN
NC



R9C11VN
NO+NC



R9C10BN
NO



R9C01BN
NC

Pilot light unibloc with raised cap

- R2LUH-R
- R2LUH-G
- R2LUH-Y
- R2LUH-W
- R2LUH-BL
- R2LUH-O

Power supplies



R9PDNVS



R9PDNVO

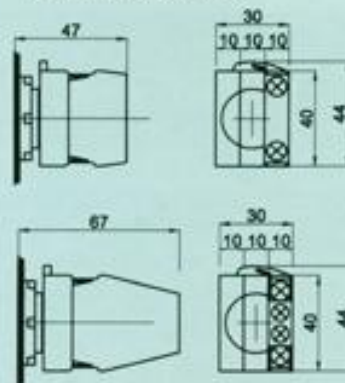


R9PDNBO

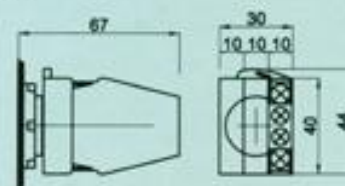


R9PDNV 1 110V/6V
2 220V/6V

Contact blocks

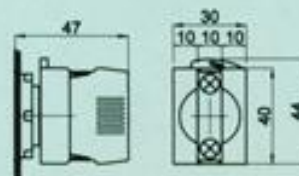


R9C10VN
R9C01VN

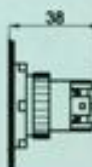


R9C11VN

Power supplies



R9PDNVO



R9PDNVS

Pilot light unibloc with raised cap

- RSLUH-R
- RSLUH-G
- RSLUH-Y
- RSLUH-W
- RSLUH-BL
- RSLUH-O



Shape, Material and Color

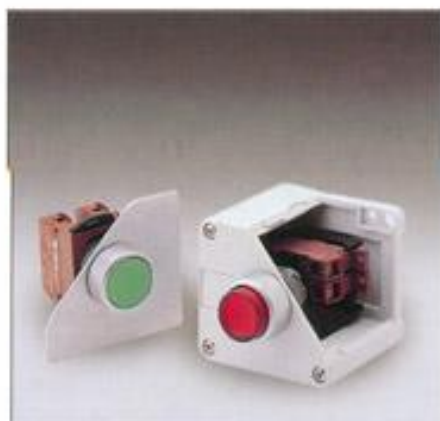
The R9 series consists of 3 different types of combinations

- round, 22 mm, made of nylon, fiber; and fireproof material
- round, 30 mm, gray color, made of nylon, fiber and fireproof material
- square, 22mm, gray color; made of nylon, fiber; and fireproof material

The elegant, modern and ergonomic R9 products have various colors and types.

Available to choice, and are the result of superior industrial design experience.

These characteristics allow the R9 products to be used in most industrial environments and enable them to satisfy any sophisticated industrial application.



Mounting Systems

The R9 line offers a wide variety of products, contact blocks and power supplies.

All of them are completely interchangeable in a "easy-to-assemble" fashion thanks to an innovative flange mechanism designed to reduce the assembly time to a minimum.

Furthermore, to satisfy particular applications needs, a range of products, contact blocks and power supplies are available for base mounting.



Fitting and Positioning

According to the IEC529, all the R9 products contain a "U" shape device that seals it in a way that it meets the standards of the IP65 which makes it not only waterproof, but also oil-proof, and dustproof. A locating tab on the product's body allows the correct positioning on panels with drilled holes.

The tab also ensures panel stability because it prevents unwanted rotation during the panel mounting and maintenance procedures.

The tab can be removed with a screwdriver for applications where the holes do not have a notch.

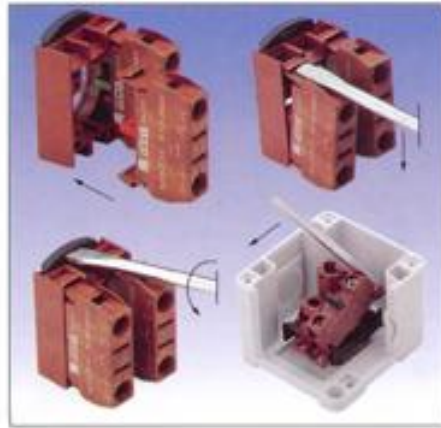
SERIES R9-panel mounting -

Type Spec.	Push button with flush cap	Push button with raised cap	Push button mushroom head ø40mm	Push button mushroom head ø60mm	Push button emergency push-button to release mushroom head ø30mm	Push button emergency push-button to release mushroom head ø40mm	Push button emergency push-button to release mushroom head ø60mm	Push button mushroom head ø40mm with key	Selector switch with knob	Selector switch with lever
Round 22 φ										
Round 30 φ										
Square 22 φ										



Rear Locking and Back Mounting Procedure

R9 products are back mounted to the panel by a patented threaded locking ring. The units can be assembled using a standard screwdriver.



Fast Mounting

All the R9 series rear panel devices are snap-on inserted. The flange is securely fitted to the product, thus guaranteeing a quick coupling between the various parts. For base mounting, the fitting is done directly on the base plate. Each single block can be mounted or removed individually without interfering with the others. In panel mounting, it is also possible to install or remove the snap-on flange together with the block. The block and/or the flange can be disassembled using a standard screwdriver, which simplifies maintenance products.



Safety and Reliability

The R9 series contact blocks are designed to ensure maximum reliability in every condition and to monitor control circuits at low energy levels (12V-5mA) without the use of special versions. Thanks to manufacturing solutions such as:

- four switching points with double movable bridges (mechanically separated yet electrically connected).
- high efficiency self-cleaning sliding contacts.
- silver contacts.

The R9 series contact blocks operate with high safety margins also at low energy level circuits and at increased operations without failures.

round operators - square operators

Selector switch with key	Joystick	Illuminated push button with flush cap	Illuminated push button with raised cap	Illuminated push button with mushroom head $\varnothing 40\text{mm}$	Double function with indicator light white lens	Illuminated selector switch with knob	Illuminated selector switch with lever	Pilot light diffused lens with flush cap	Pilot light diffused lens with raised cap