

连云港济源晶体元件有限公司（JYJT）

ELECTRICAL SPECIFICATIONS

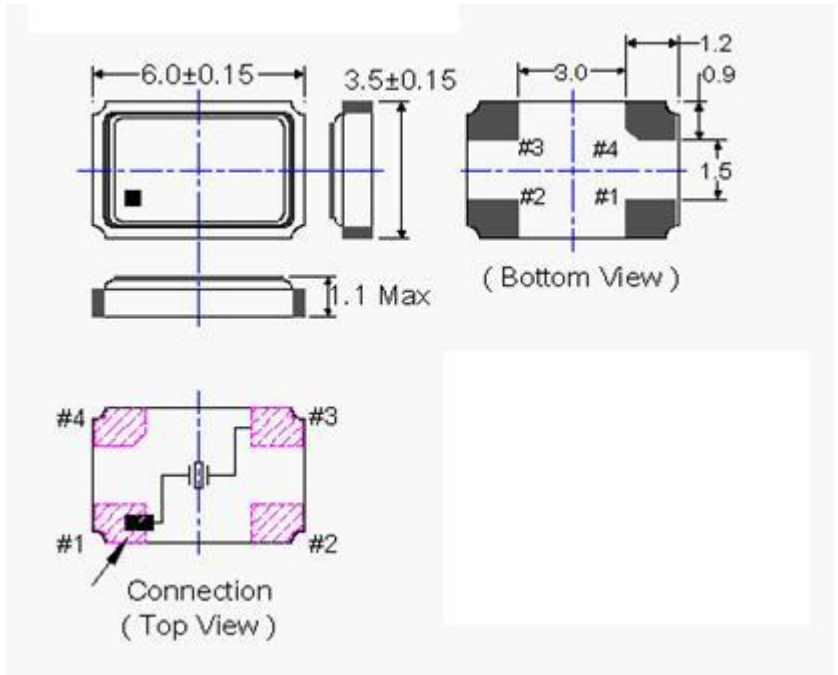
Output Frequency Range	6 MHz ~ 80 MHz
Mode	See table 1
Frequency Tolerance (at 25°C)	±10ppm, ±20ppm, ±30ppm, or specify
Frequency Stability Over Operating Temperature Characteristics	±10ppm, ±20ppm
Storage Temperature Range	-55 °C to +125 °C
Operating Temperature Range	-10 °C to + 60 °C
	-20 °C to + 70 °C or specify
Shunt Capacitance (C ₀)	3.5 pF Max
Driver Level (Typical)	100μW
Load Capacitance(C _L)	Series, 16pF, 20pF, 30pF, 32pF, or specify
Equivalent Series Resistance ESR (Ω)	See table 1
Aging @25°C 1 st year (Max)	±3ppm, ±5ppm/year
Shock Resistance	Drop test of 3 times on 2mm stainless plate from 75cm height

REMARK: SPECIFICATIONS SUBJECT TO CHANGE WITHOUT PRIOR NOTICE. PLEASE CONFIRM WITH OUR SALES ENGINEER.

Frequency and Equivalent Series Resistant

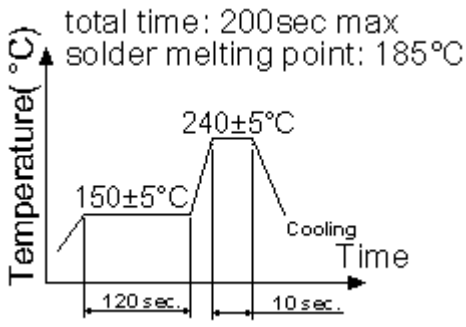
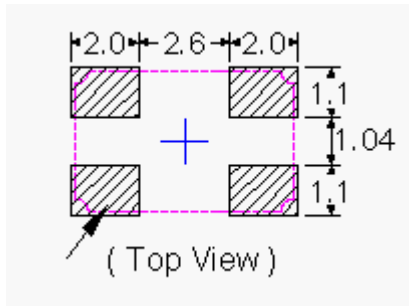
Frequency Range	E.S.R. (Ω)	Mode
6.000 MHz ~ 10.000 MHz	70 Max	Fundamental / AT
10.000 MHz ~ 40.000 MHz	40 Max	Fundamental / AT
30.000 MHz ~ 100.000 MHz	60 Max	Third Overtone / AT

Dimension

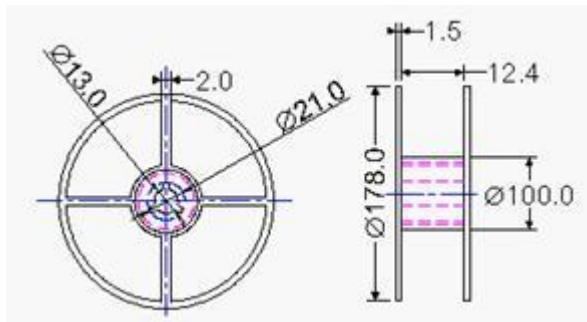
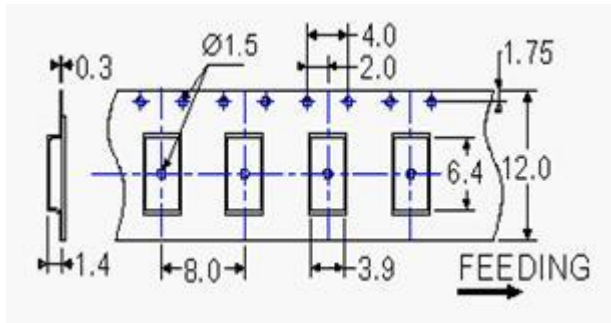


Reference Land Pattern

Reflow Condition



PACKING



连云港济源晶体元件有限公司 (JYJT)

联系人: 朱侠蓉 电话: 0518-87612002 /87615384

传真: 0518-87615003 手机: 15062975197 QQ: 923615399

邮箱: jiyuanjingti@hotmail.com