

## 连云港济源晶体元件有限公司（JYJT）

### ELECTRICAL SPECIFICATIONS

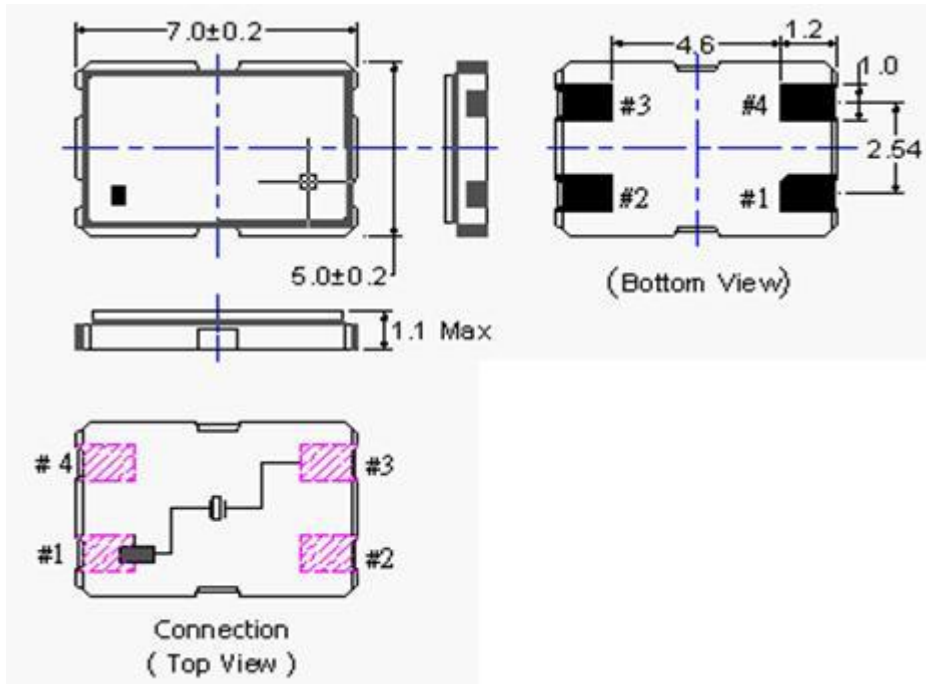
Output Frequency Range	6.000 MHz to 110.000 MHz
Mode	see Table 1*
Frequency Tolerance (at 25°C)	±10ppm ~ ±50ppm
Frequency Stability Over Operating Temperature Characteristics	-10°C ~+60°C ±30ppm, -20°C ~+70°C ±50ppm or specify
Storage Temperature Range	-55 °C to +125 °C
Operable Temperature Range	-10°C to +60°C ~ -40°C to +85 °C
Shunt Capacitance (C <sub>0</sub> )	5.0 pF Max
Driver Level (Typical)	10μW~100μW
Load Capacitance(C <sub>L</sub> )	Series, 16pF, 20pF, 30pF, 32pF, or specify
Equivalent Series Resistance ESR (Ω)	see Table 1*
Aging @25°C 1 <sup>st</sup> year (Max)	±3ppm, ±5ppm/year
Shock Resistance	Drop test of 3 times on 2mm stainless plate from 75cm height

**REMARK:** SPECIFICATIONS SUBJECT TO CHANGE WITHOUT PRIOR NOTICE. PLEASE CONFIRM WITH OUR SALES ENGINEER.

### Frequency and Equivalent Series Resistant

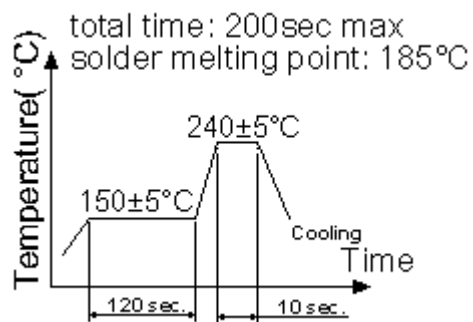
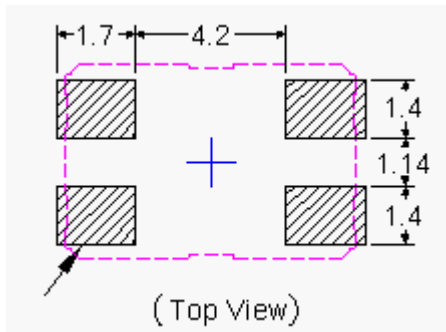
Frequency Range	E.S.R. (Ω)	Mode
6.000 MHz ~ 15.999 MHz	40 Max	Fundamental / AT
16.000 MHz ~ 32.000 MHz	35 Max	Fundamental / AT
30.000 MHz ~ 44.999 MHz	80 Max	Third Overtone / AT
45.000 MHz ~ 89.999 MHz	70 Max	Third Overtone / AT
90.000 MHz ~ 110.000 MHz	75 Max	Third Overtone / AT

Dimension

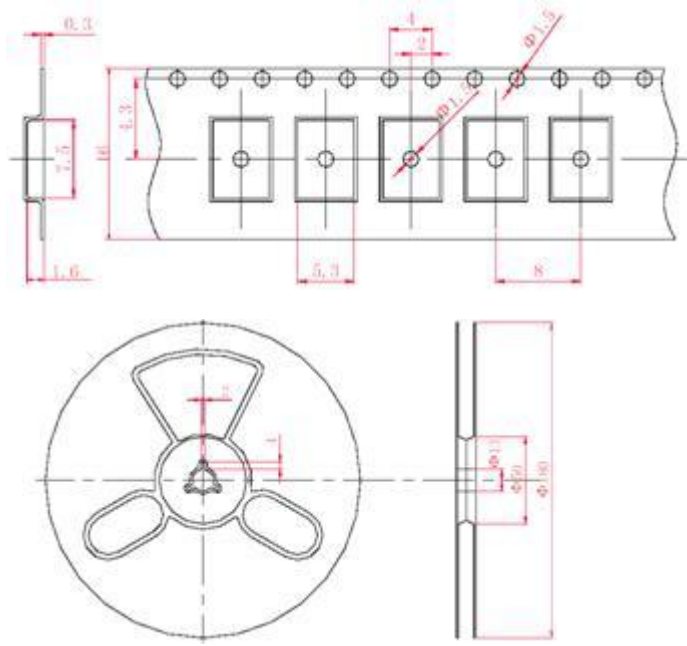


**Reference Land Pattern**

**Reflow Condition**



**PACKING:**



连云港济源晶体元件有限公司 (JYJT)

联系人: 朱侠蓉 电话: 0518-87612002 /87615384

传真: 0518-87615003 手机: 15062975197 QQ: 923615399

邮箱: [jiyuanjingti@hotmail.com](mailto:jiyuanjingti@hotmail.com)