

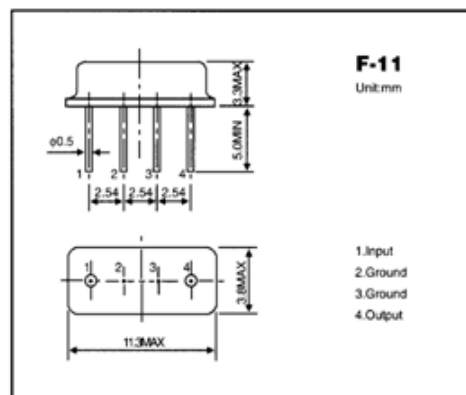
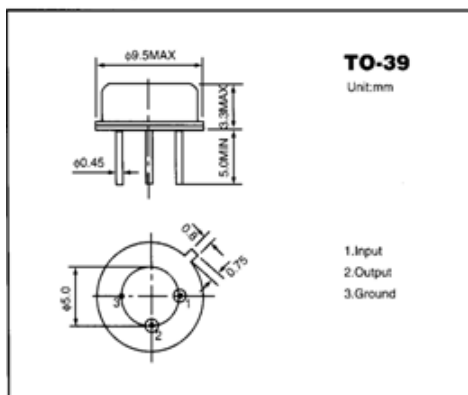
## 连云港济源晶体元件有限公司 (JYJT)

**The SR Series One-Port SAW Resonators for Wireless Remote Control**

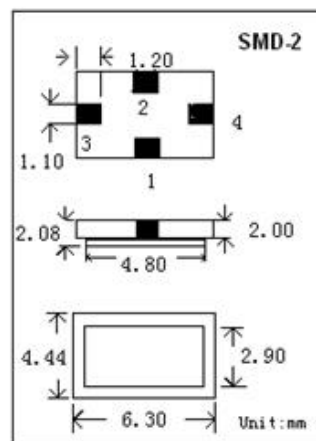
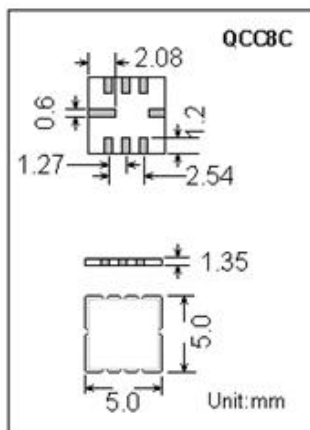
Part Number	Center Frequency(MHz)	Insertion Loss(dB)	Quality Factor		Package
			Unloaded	50Ω Load	
SR 260A	260	<2.0	>12000	>2000	TO-39;F11 SMD
SR 300A	300	<2.0	>12000	>2000	TO-39;F11 SMD
SR 303A	303.825	<2.0	>12000	>2000	TO-39;F11 SMD
SR 303.875	303.875	<2.0	>12000	>2000	TO-39;F11 SMD
SR 304.3	304.3	<2.0	>12000	>2000	TO-39;F11 SMD
SR 311.1	311.125	<2.0	>12000	>2000	TO-39;F11 SMD
SR 314.5	314.5	<2.0	>12000	>2000	TO-39;F11 SMD
SR 315A	315	<2.0	>12000	>2000	TO-39;F11 SMD
SR 316.8	316.8	<2.0	>12000	>2000	TO-39;F11 SMD
SR 318	318	<2.0	>12000	>2000	TO-39;F11 SMD
SR 320	320	<2.0	>12000	>2000	TO-39;F11 SMD
SR 325	325	<2.0	>12000	>2000	TO-39;F11 SMD
SR 330	330	<2.0	>12000	>2000	TO-39;F11 SMD
SR 340	340	<2.0	>12000	>2000	TO-39;F11 SMD
SR 345	345	<2.0	>12000	>2000	TO-39;F11 SMD
SR 350	350	<2.0	>12000	>2000	TO-39;F11 SMD
SR 351	351	<2.0	>12000	>2000	TO-39;F11 SMD
SR 360	360	<2.0	>12000	>2000	TO-39;F11 SMD
SR 384	384	<2.0	>12000	>2000	TO-39;F11 SMD
SR 390	390	<2.0	>12000	>2000	TO-39;F11 SMD
SR 395	395	<2.0	>12000	>2000	TO-39;F11 SMD
SR 396	396	<2.0	>12000	>2000	TO-39;F11 SMD
SR 400	400	<2.0	>12000	>2000	TO-39;F11 SMD
SR 418A	418	<2.0	>12000	>2000	TO-39;F11 SMD
SR 420	420	<2.0	>12000	>2000	TO-39;F11 SMD
SR 423A	423.22	<2.0	>12000	>2000	TO-39;F11 SMD
SR 426	426	<2.0	>12000	>2000	TO-39;F11 SMD
SR 430	430	<2.0	>12000	>2000	TO-39;F11 SMD
SR 433.42	433.42	<2.0	>12000	>2000	TO-39;F11 SMD
SR 433A	433.92	<2.0	>12000	>2000	TO-39;F11 SMD
SR 435.7	435.72	<2.0	>12000	>2000	TO-39;F11 SMD
SR 436.9	436.925	<2.0	>12000	>2000	TO-39;F11 SMD
SR 447.6	447.625	<2.0	>12000	>2000	TO-39;F11 SMD
SR 466	466	<2.0	>12000	>2000	TO-39;F11 SMD
SR 479.5	479.5	<2.5	>12000	>2000	TO-39;F11 SMD
SR 790	790	<2.5	>12000	>2000	TO-39;F11 SMD
SR 868.35	868.35	<2.5	>12000	>2000	TO-39;F11 SMD
SR 912	912	<2.5	>12000	>2000	TO-39;F11 SMD
SR 916.5	916.5	<2.5	>12000	>2000	TO-39;F11 SMD
SR 980	980	<2.5	>12000	>2000	TO-39;F11 SMD

### The SB Series Two-Port SAW Resonators For Wireless Remote Control

Part Number	Center Frequency(MHz)	Insertion Loss(dB)	Quality Factor		Package
			Unloaded	50Ω Load	
SB 384.05	384.05	<8.0	>13000	>6500	TO-39;F11 SMD
SB 387	387	<8.0	>13000	>6500	TO-39;F11 SMD
SB 403.55	403.55	<8.0	>13000	>6500	TO-39;F11 SMD
SB 418A	418.00	<8.0	>13000	>6500	TO-39;F11 SMD
SB 423A	423.22	<8.0	>13000	>6500	TO-39;F11 SMD
SB 433A	433.92	<8.0	>13000	>6500	TO-39;F11 SMD
SB 455.86	455.86	<8.0	>13000	>6500	TO-39;F11 SMD
SB 824.25	824.25	<8.0	>13000	>6500	TO-39;F11 SMD
SB 854	854	<8.0	>13000	>6500	TO-39;F11 SMD
SB 913.5	913.5	<8.0	>13000	>6500	TO-39;F11 SMD



### DIMENSIONS



连云港济源晶体元件有限公司 (JYJT)

联系人: 朱侠蓉 电话: 0518-87612002 /87615384

传真: 0518-87615003 手机: 15062975197 QQ: 923615399

邮箱: [jiyuanjingti@hotmail.com](mailto:jiyuanjingti@hotmail.com)