

连云港济源晶体元件有限公司（JYJT）

The SF 150 Series Wide Band SAW Filters For Pager

Part Number	SF 139	SF 147	SF 155	SF 163	SF171
Center Frequency(f_0)	139MHz	147MHz	155MHz	163MHz	171MHz
Insertion Loss					
$f_0(-100\text{MHz}\sim-38.8\text{MHz})$	50dBmin	50dBmin	50dBmin	50dBmin	50dBmin
$f_0(\pm 4\text{MHz})$	6.5dBmax	6.5dBmax	6.5dBmax	6.5dBmax	6.5dBmax
$f_0(+38.8\text{MHz}\sim 2.5f_0)$	42dBmin	42dBmin	42dBmin	42dBmin	42dBmin
Input/Output Impedance	210 Ω /-13.3pF	210 Ω /-12.1pF	210 Ω /-12.3pF	210 Ω /-13.3pF	210 Ω /-10.9pF

The SF 280 Series Wide Band SAW Filters For Pager

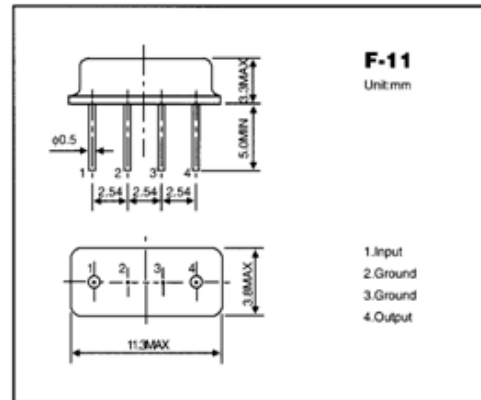
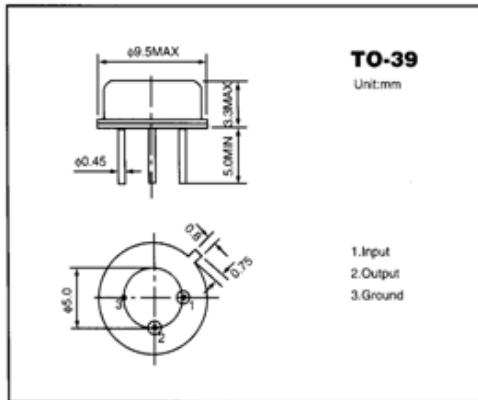
Part Number	SF 280	SF 281	Part Number	SF284
Center Frequency(f_0)	280MHz	281MHz	Center Frequency(f_0)	284MHz
Insertion Loss			Insertion Loss	
$f_0-100\sim f_0-37.5\text{MHz})$	48dBmin 4.	48dBmin	$f_0-100\sim f_0-37.5\text{MHz})$	48dBmin 4.
$f_0(\pm 5.0\text{MHz})$	5dBmax	4.5dBmax	$f_0(\pm 4.0\text{MHz})$	5dBmax
$f_0+37.5\sim f_0+100\text{MHz})$	40dBmin	40dBmin	$f_0+37.5\sim f_0+100\text{MHz})$	40dBmin
Input/Output Impedance	210 Ω /-13.3pF	210 Ω /-12.1pF	210 Ω /-12.3pF	210 Ω /-13.3pF
Ripple(within $f_0\pm 5.0\text{MHz})$	2.0dBmax	2.0dBmax	Ripple(within $f_0\pm 5.0\text{MHz})$	2.0dBmax

The Wide Band SAW Filters For Wireless Communication & Satellite Program Receiver

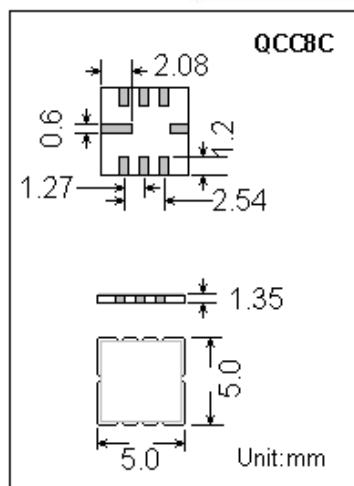
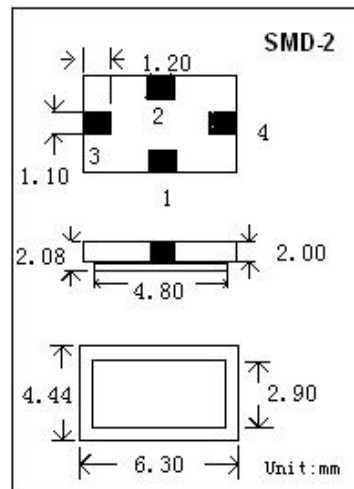
Part Number	Center Frequency(MHz)	Band Width(MHz)	Insertion Loss(dB)	package
SF 400	400.00	6	<3.5	TO-39; F11 SMD
SF 429.3	429.3	6	<3.5	TO-39; F11 SMD
SF 465A	465.00	6	<3.5	F11 SMD
SF 465B	465.00	6	<3.5	F11 SMD
SF 841	841.00	15	<3.5	TO-39; F11 SMD
SF 886	886.00	15	<3.5	TO-39; F11 SMD
SF 868.35	868.35	15	<3.5	TO-39; F11 SMD
SF 930	930.00	15	<3.5	TO-39; F11 SMD
SF 936	936.00	15	<3.5	TO-39; F11 SMD
SF 480-1	480.00	18	<21	TO-39 SMD
SF 480-2	480.00	27	<21.5	TO-39 SMD
SF 480-3	480.00	36	<22.5	TO-39 SMD
SF 479.5	479.5	27	<21.5	F11 SMD
SF 479.5-5	479.5	15/27	<24/<24	TO-39 SMD
SF 479.5-6	479.5	18/27	<22.1/<22.5	TO-39 SMD
SF 479.5-7	479.5	27/36	<24.5/<23.6	TO-39 SMD
SF 479.5-8	479.5	27/54	<22.0/<27.5	TO-39 SMD

The SF Series Narrow Band SAW Filters For Wireless Receiver

Part Number	Center Frequency(MHz)	Fequency Tolerance(KHz)	Band Width(KHz)	Insertion Loss(dB)	Package
SF 315A	315.00	±100	700	≤5.0	TO-39;F11 SMD
SF 418A	418.00	±100	700	≤5.0	TO-39;F11 SMD
SF 433A	433.92	±100	700	≤5.0	TO-39;F11 SMD
SF 868.35	868.35	±100	800	≤5.0	TO-39;F11 SMD
SF 916.5	916.5	±100	800	≤5.0	TO-39;F11 SMD



DIMENSIONS



连云港济源晶体元件有限公司（JYJT）

联系人：朱侠蓉 电话：0518-87612002 /87615384

传真：0518-87615003 手机：15062975197 QQ：923615399