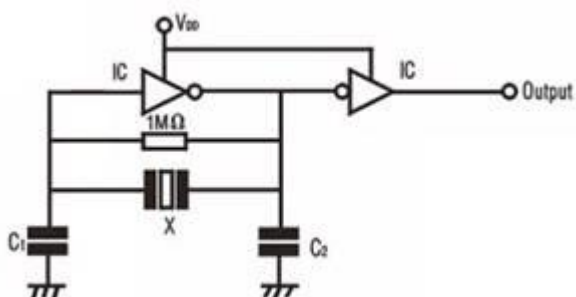


连云港济源晶体元件有限公司 (JYJT)

ELECTRICAL CHARACTERISTICS

Part Number		Frequency Range(MHz)	Frequency Accuracy (25°C)	Frequency Stability	Operating Temperature (°C)	Aging for ten years (10)年
Dip Type	SMD Type					
ZTA...MG	ZTACC...MG	1.80-6.99	+/-0.5%	+/-0.3%	-20--+80°C	+/-0.3%
ZTA...MT	ZTACS...MT	7.00-13.00	+/-0.5%	+/-0.3%	-20--+80°C	+/-0.3%
ZTA...MX	ZTACS...MX	13.01-50.00	+/-0.5%	+/-0.3%	-20--+80°C	+/-0.3%

TEST CIRCUIT FOR MOSIC

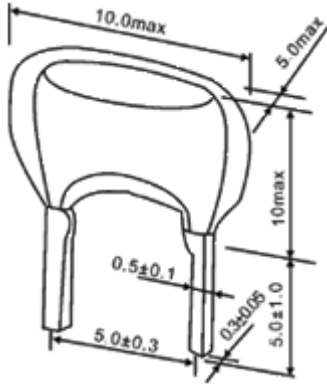


IC(MG,MT):1/6TC4069UBP×2
 (MX) :1/6TC74HCU04×2
 C₁C₂(MG,MT):30 pF
 (MX) :30 pF (13.01~20.0MHz)
 15 pF (20.01~25.99MHz)
 5 pF (26.00~50.00MHz)
 X: Ceramic Resonator
 V_{DD}(MG,MX): +5V
 (MT) : +12V

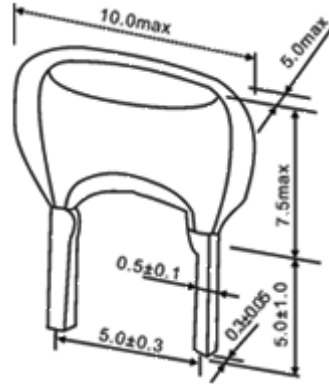
DIMENSIONS (MM)

ZTA...MG & ZTA...MX

ZTA...MT



ZTACC...MG

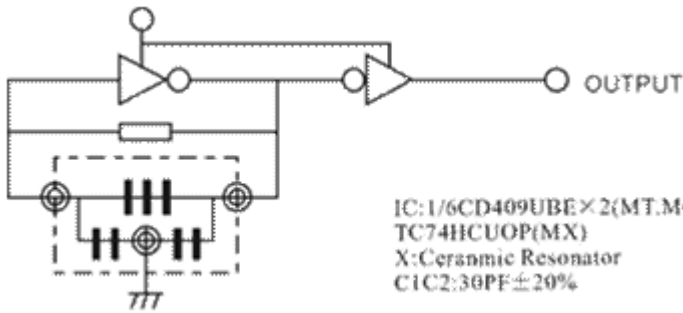


ZTACS...MT & ZTACS...MX

ELECTRICAL CHARACTERISTICS

Part Number		Frequency Range(MHz)	Frequency Accuracy(25°C)	Frequency Stability	Operating Temperature (°C)	Aging for ten years (10年)
Dip Type	SMD Type					
ZTT...MG	ZTTCC...MG	1.80-6.99	+/-0.5%	+/-0.3%	-20--+80°C	+/-0.3%
ZTT...MT	ZTTCS...MT	7.00-13.00	+/-0.5%	+/-0.3%	-20--+80°C	+/-0.3%
ZTT...MX	ZTTCS...MX	13.01-50.00	+/-0.5%	+/-0.3%	-20--+80°C	+/-0.3%

TEST CIRCUIT FOR MOSIC

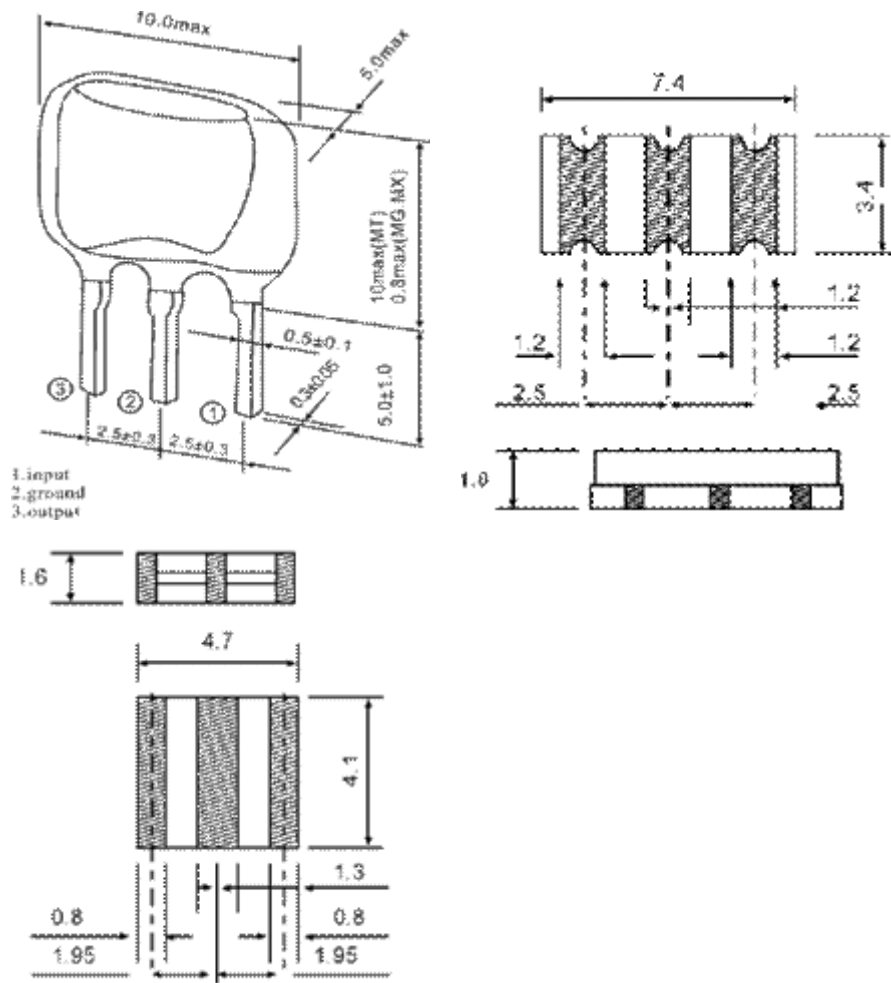


DIMENSIONS (MM)

DIP
 CS...MX

ZTTCC...MG

ZTTCS...MT & ZTT



连云港济源晶体元件有限公司 (JYJT)

联系人: 朱侠蓉 电话: 0518-87612002 /87615384

传真: 0518-87615003 手机: 15062975197 QQ: 923615399

邮箱: jiyuanjingti@hotmail.com