

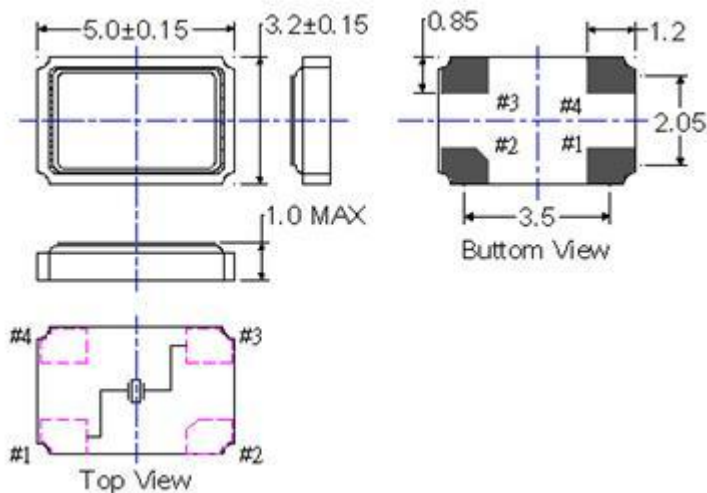
连云港济源晶体元件有限公司 (JYJT)

ELECTRICAL SPECIFICATIONS

Output Frequency Range	12.000 MHz to 40.000 MHz
Mode	see Table 1*
Frequency Tolerance (at 25°C)	±30ppm, ±50ppm, or specify
Frequency Stability Over Operating Temperature Characteristics	-10°C ~+60°C ±30ppm, -20°C ~+70°C ±50ppm or specify
Storage Temperature Range	-55 °C to +125 °C
Operable Temperature Range	-40 °C to + 85 °C
Shunt Capacitance (C ₀)	5.0 pF Max
Driver Level (Typical)	10μW~100μW
Load Capacitance(C _L)	Series, 16pF, 20pF, 30pF, 32pF, or specify
Equivalent Series Resistance ESR	40Ω Max
Aging @25°C 1 st year (Max)	±3ppm, ±5ppm/year
Shock Resistance	Drop test of 3 times on 2mm stainless plate from 75cm height

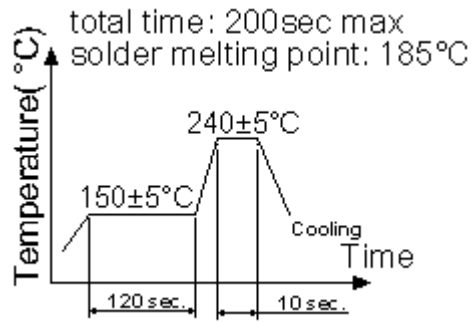
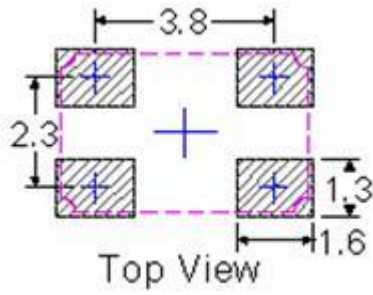
REMARK: SPECIFICATIONS SUBJECT TO CHANGE WITHOUT PRIOR NOTICE. PLEASE CONFIRM WITH OUR SALES ENGINEER.

Dimension

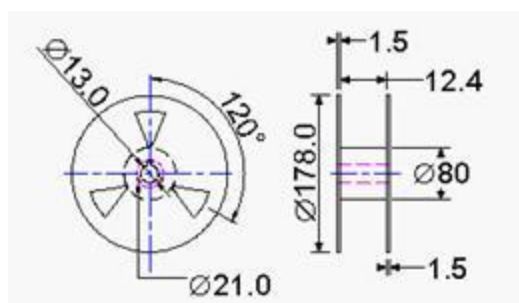
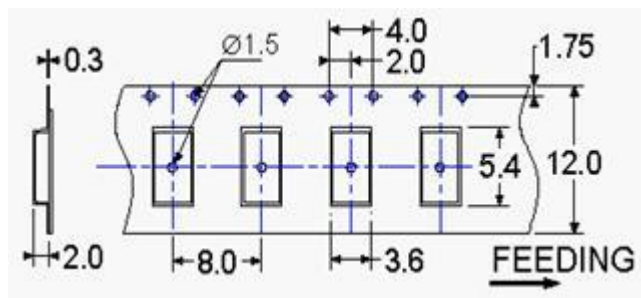


Reference Land Pattern

Reflow Condition



PACKING



连云港济源晶体元件有限公司 (JYJT)

联系人: 朱侠蓉 电话: 0518-87612002 /87615384

传真: 0518-87615003 手机: 15062975197 QQ: 923615399

邮箱: jiyuanjingti@hotmail.com