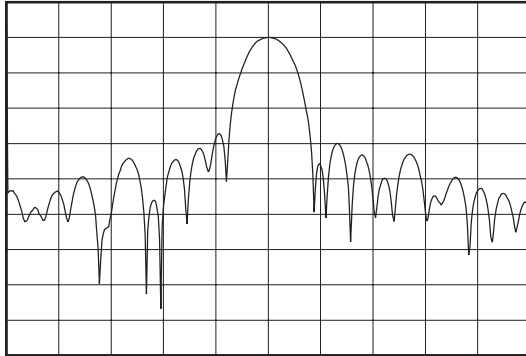
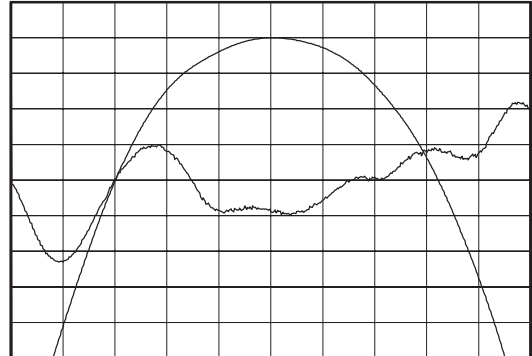


Data Sheet

Typical Performance



Horizontal: 500 kHz/Div
Vertical: 10 dB/Div

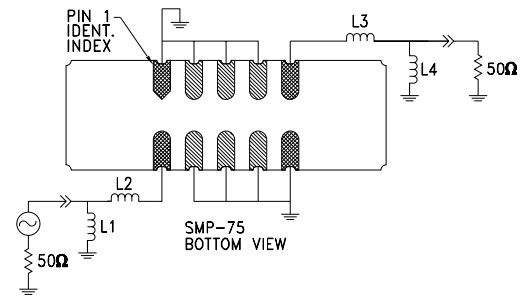
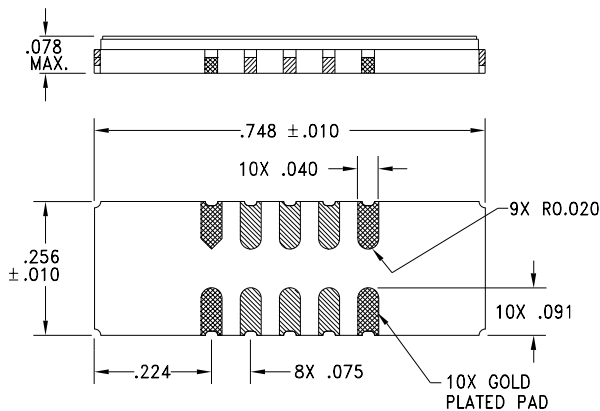


Horizontal: 60 kHz/Div
Vertical: 1 dB/Div
Vertical: 50 nsec/Div

Specifications

Parameter	Unit	Minimum	Typical	Maximum
Center Frequency	MHz	-	86.6	-
Insertion Loss at F_o	dB	-	5.5	6.5
Lower 3.5 Point	MHz	86.4	86.43	-
Upper 3.5 Point	MHz	-	86.78	86.8
Lower 28 Point	MHz	85.8	86.23	-
Upper 28 Point	MHz	-	87	87.4
Amplitude Variation	dB	-	0.6	1
Group Delay Variation	nsec	-	70	200
Ultimate Rejection	dB	33	40	-
VSWR	-	-	1.4:1	2.0:1
Substrate Material	-	-	Quartz	-
Temperature Range	°C	-40	25	85

Package Outline Matching Configuration



L1 = 47 nH , L2 = 82 nH
L3 = 130 nH , L4 = 47 nH
Nominal Source/Load Impedance = 50Ω
Package Style SMP-75

11/24/99