

## 连云港济源晶体元件有限公司 (JYJT)

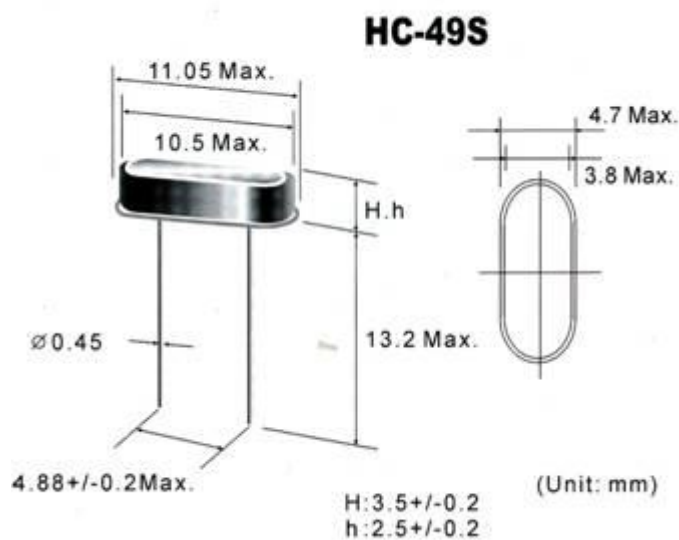
### ELECTRICAL SPECIFICATIONS

Nominal frequency (频率范围)	3.000 to 64.000MHz
Oscillation mode	See below table
Operating temperature range (工作温度范围)	-10°C--+60°C (standard), -20°C--+70°C, -40°C--+85°C, or Specify
Storage temperature range (保存温度)	-40°C--+85°C
Frequency tolerance (温差)	±30PPM at 25±2°C (standard) or specify
Freq. Temp characteristics (频率误差)	±30PPM (standard) or specify
Load capacitance (负载)	series, 16pF, 18pF, 20pF, 30pF, or specify
Equivalent series resistance	See below table
Parallel capacitance(Co) (静电容)	7PF Max
Drive level (功率)	100 μW Typical
Insulation resistance (绝缘电阻)	More than 500MΩ AT DC100V

### EQUIVALENT SERIES RESISTANCE(ESR) AND OSCILLATION MODE

Frequency Range	E. S. R (Ω)	Mode	Frequency Range	E. S. R (Ω)	Mode
3.000MHz~5.999MHz	150Max	Fundamental /AT	24.000MHz~40.320MHz	30Max	Fundamental/BT
6.000MHz~7.999MHz	60Max	Fundamental /AT	24.000MHz~29.999MHz	100Max	Third Overtone /AT
8.000MHz~15.999MHz	50Max	Fundamental /AT	30.000MHz~49.999MHz	80Max	Third Overtone /AT
16.000MHz~30.000MHz	30Max	Fundamental /AT	50.000MHz~100.000MHz	60Max	Third Overtone /AT

## Dimension



连云港济源晶体元件有限公司 (JYJT)

联系人: 朱侠蓉 电话: 0518-87612002 /87615384

传真: 0518-87615003 手机: 15062975197 QQ: 923615399

邮箱: [jiyuanjingti@hotmail.com](mailto:jiyuanjingti@hotmail.com)