

OVERVIEW

The SM8142 is a transformer-less electroluminescent (EL) sheet lamp driver, capable of driving sheets up to 30 cm² in size. It employs a high-efficiency driver output circuit configuration to control power dissipation. It is available in ultra-small 8-pin SON (Small Outline Non-leaded) packages*, making possible the construction of small, thin, low-power driver units.

* : SM8142xD

FEATURES

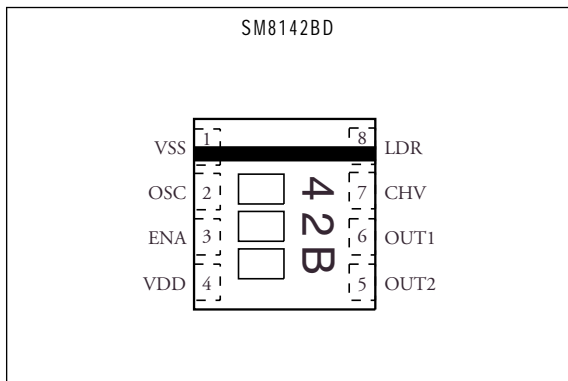
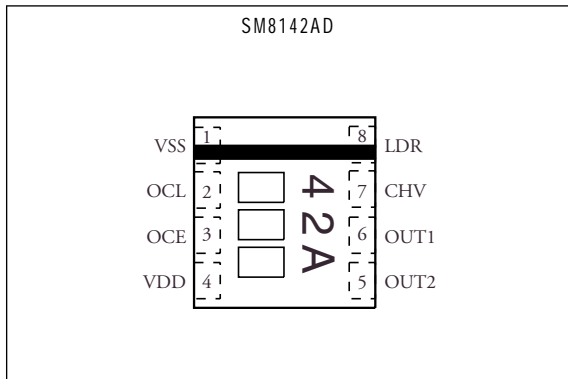
- Dedicated EL driver
- Noise-less smooth drive waveform
- High-efficiency output circuit
- Two oscillator circuits built-in (SM8142A)
- Stand-by function (SM8142B)
- Stable temperature characteristics
- Ultra-small package
- 1.6 to 5.5 V supply voltage
- 0.3 mA typ. ($V_{DD} = 3.0$ V) current consumption (excluding coil current)
- 200 Vp-p maximum EL driver voltage
- 31 to 1000 Hz EL drive frequency range
- 0.22 mH minimum coil inductance

ORDERING INFORMATION

Device	Package
SM8142AD	8-pin SON
SM8142BD	8-pin SON
SM8142AV	8-pin VSOP
SM8142BV	8-pin VSOP

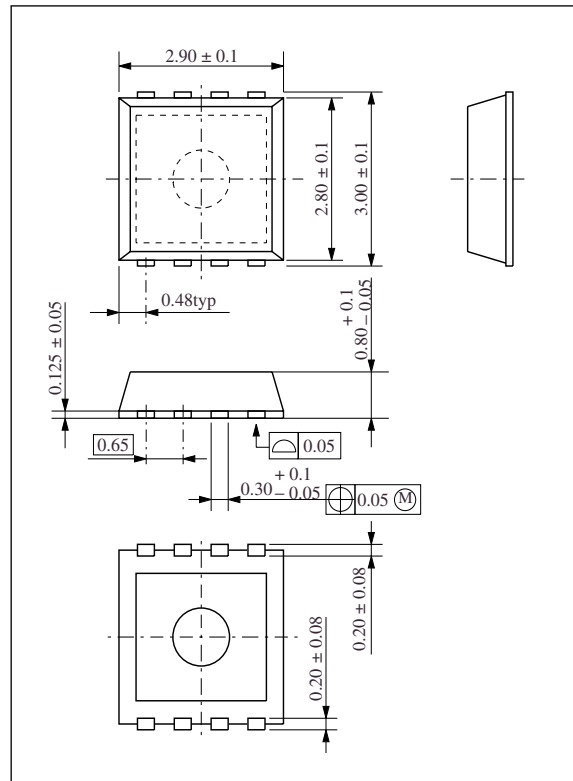
PINOUT (Top View)

■ 8-pin SON

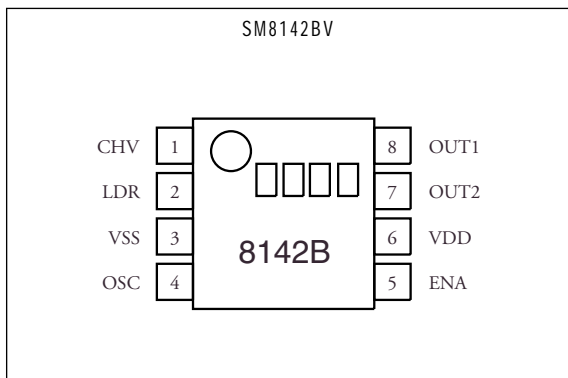
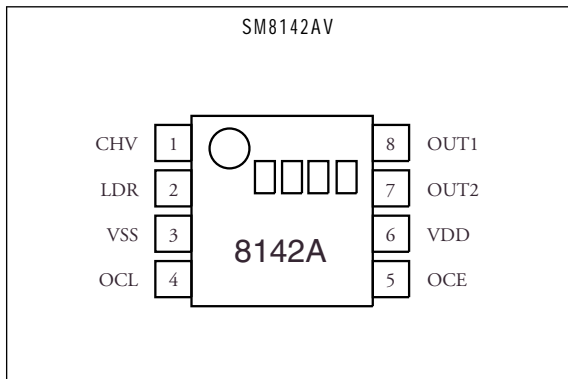


PACKAGE DIMENSIONS (Unit : mm)

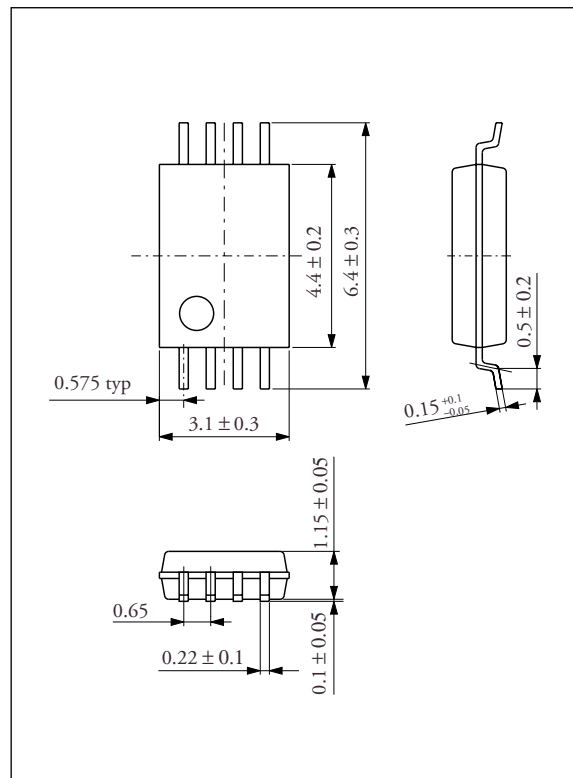
■ 8-pin SON



■ 8-pin VSOP

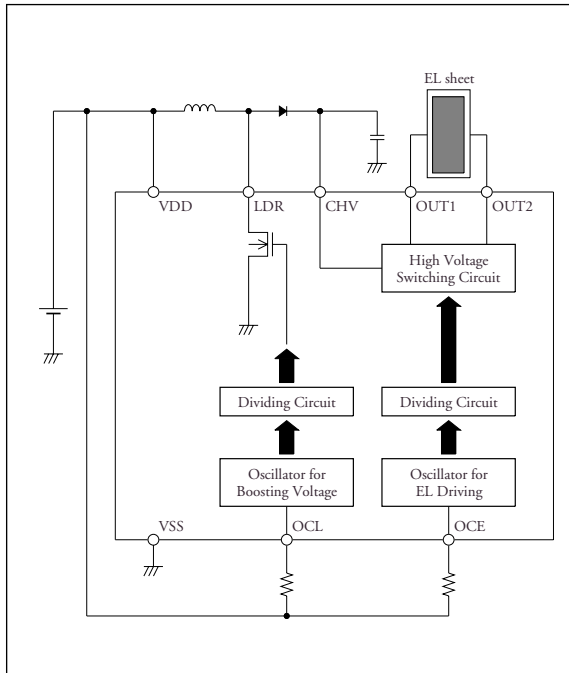


■ 8-pin VSOP

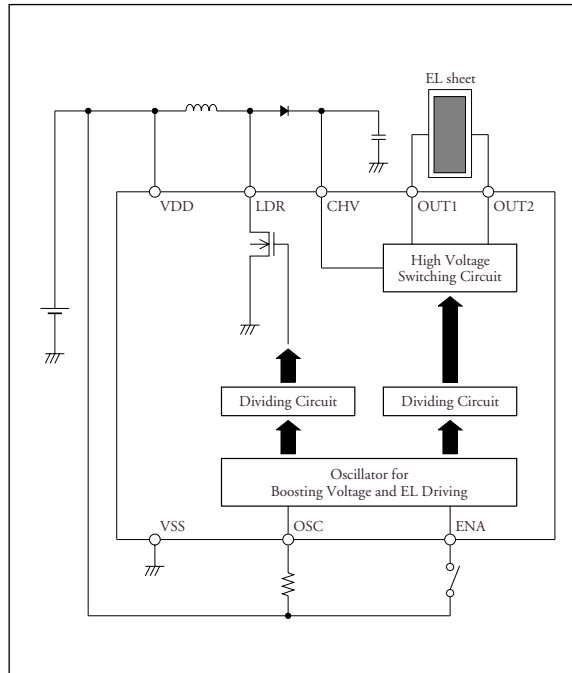


BLOCK DIAGRAM

■ SM8142A



■ SM8142B



PIN DESCRIPTION

Pin number		Ver.	Name	I / O	Function
VSOP-8	SON-8				
1	7	A/B	CHV	I	High-voltage DC input
2	8	A/B	LDR	O	Booster coil driver output
3	1	A/B	VSS	-	Ground
4	2	A	OCL	I	Coil driver oscillator (oscillator frequency determined by external resistor)
		B	OSC	I	Coil and EL driver oscillator (oscillator frequency determined by external resistor)
5	3	A	OCE	I	EL driver oscillator (oscillator frequency determined by external resistor)
		B	ENA	Ip ¹	Enable input (HIGH: enable, LOW: disable)
6	4	A/B	VDD	-	Supply
7	5	A/B	OUT2	O	Output 2
8	6	A/B	OUT1	O	Output 1

1. Built-in pull-down resistor

SPECIFICATIONS

Absolute Maximum Ratings

Parameter	Symbol	Condition	Rating	Unit
Supply voltage range	V_{DD}		- 0.3 to 7.0	V
Input voltage range	V_{IN}	All Input pins	$V_{SS} - 0.3$ to $V_{DD} + 0.3$	V
Output voltage	V_{CHV}	CHV pin	0.5 to 120	V
	V_{LDR}	LDR pin	0.5 to 120	V
	$V_{OUT1/2}$	OUT1 , OUT2 pin	0.5 to 120	V
Power dissipation	P_D	$T_a \leq 85$ °C	100	mW
Storage temperature range	T_{stg}		- 55 to 125	°C

Recommended Operating Conditions

Parameter	Symbol	Condition	Rating			Unit
			min	typ	max	
Supply voltage range	V_{DD2}		1.6	3.0	5.5	V
Operating temperature	T_{OPR}		- 40	-	85	°C
Operating current ¹	I_{DD2}	Including coil current, $V_{DD} = 3.0V$	-	-	60	mA
		Including coil current, $V_{DD} = 5.0V$	-	-	36	
Coil inductance	L_{LDR2}	$f_{LDR} = 64$ kHz	-	0.47	-	mH

1. Max value is as same as Absolute Maximum Ratings.

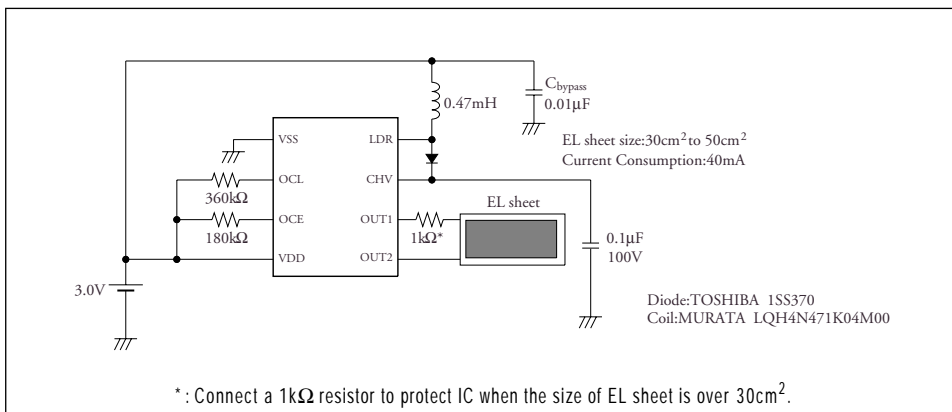
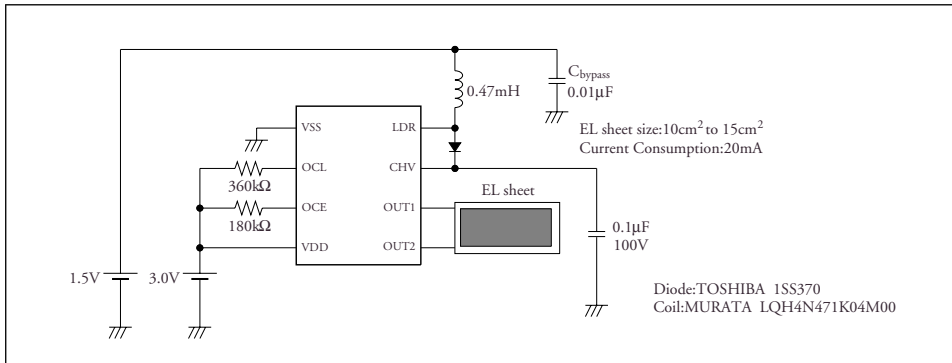
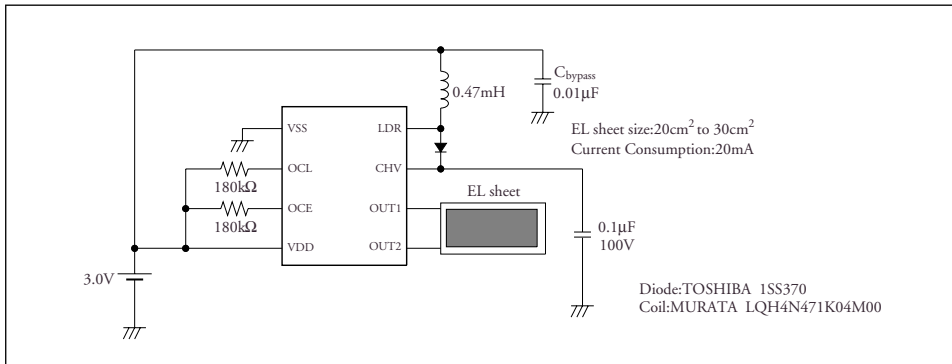
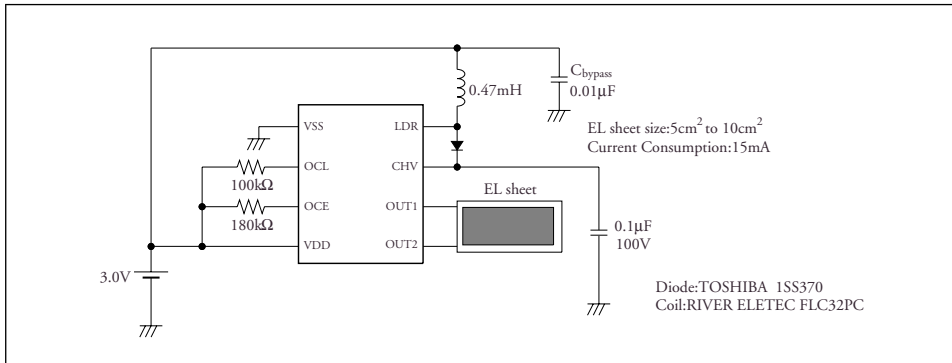
DC Characteristics

$V_{DD} = 3.0\text{ V}$, $T_a = 25\text{ }^\circ\text{C}$ unless otherwise noted.

Parameter	Ver.	Symbol	Condition	Rating			Unit
				min	typ	max	
Supply voltage	A/B	V_{DD}		1.6	3.0	5.5	V
CHV output voltage	A/B	V_{CHV}		0.5	–	100	V
OUT1, OUT2 HIGH-level output voltage	A/B	V_{OUTH}		–	–	100	V
OUT1, OUT2 LOW-level output voltage	A/B	V_{OUTL}		–	–	0.5	V
LDR output resistance	A/B	R_{LDR}	$I_{LDR} = 50\text{ mA}$	–	8.0	12.0	Ω
OCE oscillator frequency	A	f_{OCE1}	$R_{OCE} = 180\text{ k}\Omega$	205	256	307	kHz
OCE oscillator frequency range		f_{OCE2}		32	–	1024	
OCL oscillator frequency	A	f_{OCL1}	$R_{OCL} = 180\text{ k}\Omega$	205	256	307	kHz
OCL oscillator frequency range		f_{OCL2}		32	–	1024	
OSC oscillator frequency	B	f_{OSC1}	$R_{OSC} = 180\text{ k}\Omega$	205	256	307	kHz
OSC oscillator frequency range		f_{OSC2}		32	–	1024	
OUT1, OUT2 output frequency	A/B	f_{OUT1}	$R_{OCE}/R_{OSC} = 180\text{ k}\Omega$	200	250	300	Hz
OUT1, OUT2 output frequency range		f_{OUT2}		31	–	1000	
LDR inductance driver frequency	A/B	f_{LDR1}	$R_{OCL}/R_{OSC} = 180\text{ k}\Omega$	51	64	77	kHz
LDR inductance driver frequency range		f_{LDR2}		8	–	256	
ENA HIGH-level input voltage	B	V_{ENAH}	ENA = "H", $V_{DD} = 1.6\text{ to }5.5\text{ V}$	$V_{DD} - 0.5$	–	$V_{DD} + 0.3$	V
ENA LOW-level input voltage		V_{ENAL}	ENA = "L", $V_{DD} = 1.6\text{ to }5.5\text{ V}$	$V_{SS} - 0.3$	–	$V_{SS} + 0.5$	
ENA input current	B	I_{ENAH}	$V_{ENAH} = V_{DD} = 3.0\text{ V}$	2.0	4.0	6.0	μA
Operating current	A/B	I_{DD1}	Excluding coil current	–	–	0.5	mA
Stand-by current	B	I_{STB}	ENA = "L"	–	–	1.0	μA

TYPICAL APPLICATIONS

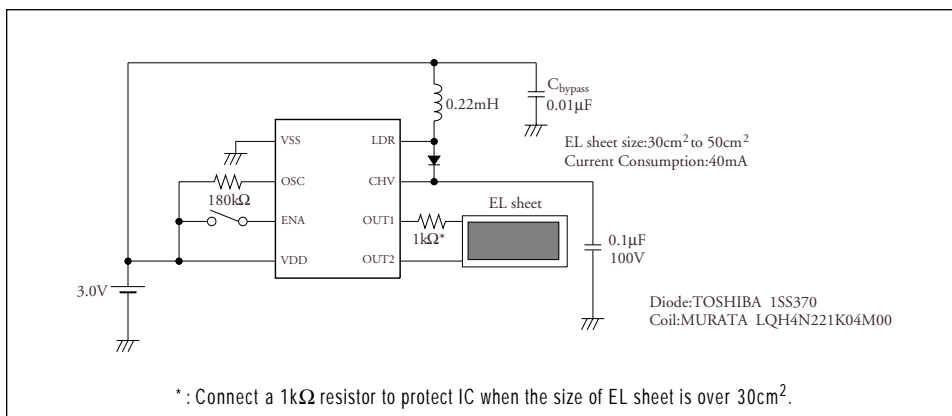
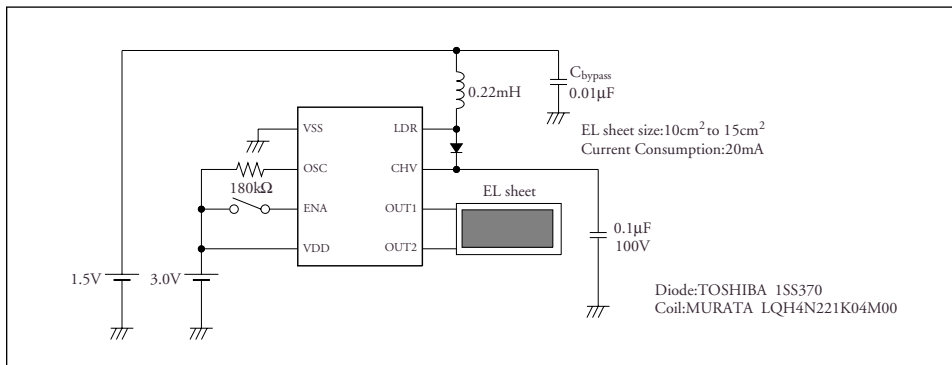
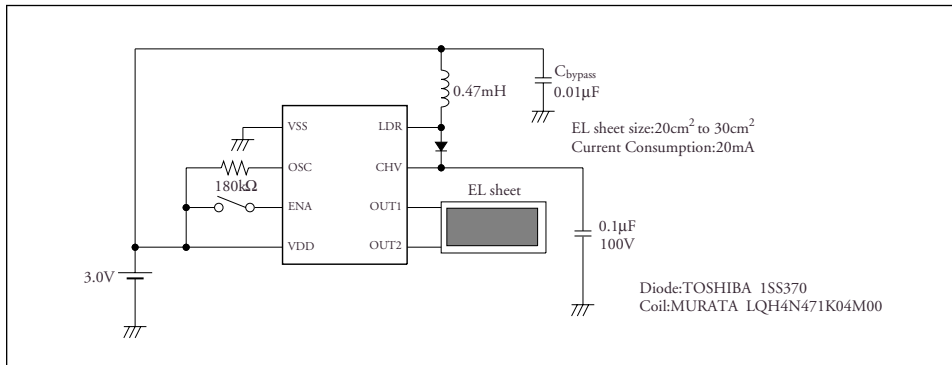
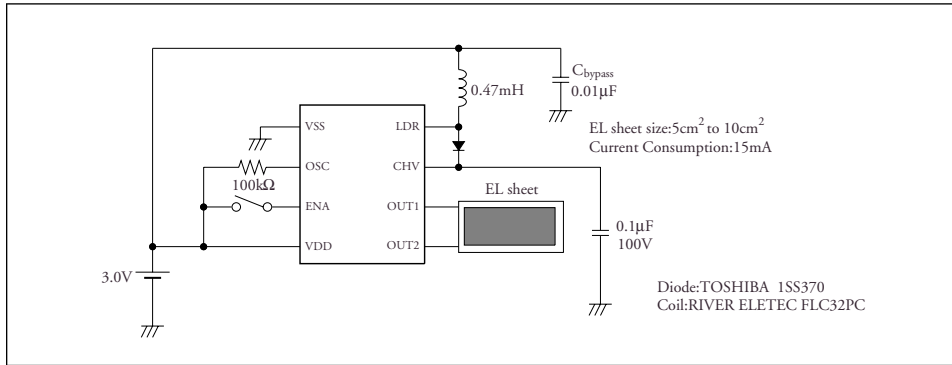
■ SM8142AD



*: Connect a 1kΩ resistor to protect IC when the size of EL sheet is over 30cm².

Note: Do not operate the SM8142 with the EL sheet NOT connected (no load to OUT1/OUT2) since the IC will be damaged.

■ SM8142BD



Note: Do not operate the SM8142 with the EL sheet NOT connected (no load to OUT1/OUT2) since the IC will be damaged.

NIPPON PRECISION CIRCUITS INC. reserves the right to make changes to the products described in this data sheet in order to improve the design or performance and to supply the best possible products. Nippon Precision Circuits Inc. assumes no responsibility for the use of any circuits shown in this data sheet, conveys no license under any patent or other rights, and makes no claim that the circuits are free from patent infringement. Applications for any devices shown in this data sheet are for illustration only and Nippon Precision Circuits Inc. makes no claim or warranty that such applications will be suitable for the use specified without further testing or modification. The products described in this data sheet are not intended to use for the apparatus which influence human lives due to the failure or malfunction of the products. Customers are requested to comply with applicable laws and regulations in effect now and hereinafter, including compliance with export controls on the distribution or dissemination of the products. Customers shall not export, directly or indirectly, any products without first obtaining required licenses and approvals from appropriate government agencies.



NIPPON PRECISION CIRCUITS INC.

4-3, Fukuzumi 2-chome
Koto-ku, Tokyo 135-8430, Japan
Telephone: 03-3642-6661
Facsimile: 03-3642-6698

NC9810HE 2000.08