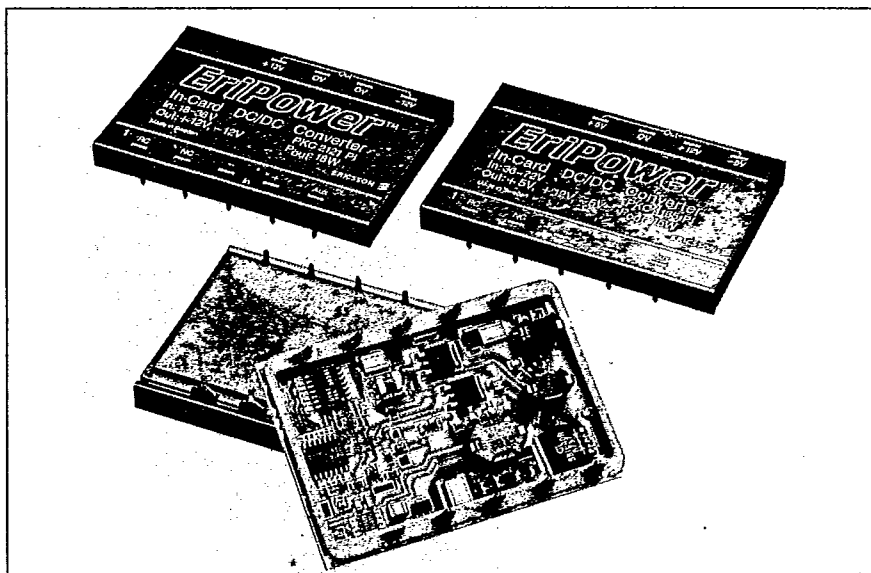


# EriPower™

## DC/DC Converters 15 – 18W

Output: Single, Dual or Triple  
Input: 24V<sub>DC</sub> or 48/60V<sub>DC</sub>

- All outputs regulated
- Low Profile Enclosure:  
8.5 mm/0.33", by the use of  
In-Card mounting, facilitates  
3TE/0.6" board spacing
- Input range 2:1  
24V (18 – 36V)  
48/60V (36 – 72V)
- Very low heat dissipation,  
typical efficiency 85%,  
 $P_d = 3W$  at full output power
- Paralleable for redundancy  
or system expansion



### 500 V<sub>DC</sub> isolated On-Card / In-Card power modules in SMD hybrid technology

The PKC series In-Card DC/DC converters are specially designed for distributed low profile power requirements. Their output data offer easy paralleling for upgrading or redundancy. The converters can either be mounted as On-Card converters (using maximum height of 10.7mm/0.42") with 4TE/0.8" board spacing, or as In-Card (i.e. the converters are recessed into a punched hole in the board), allowing 3TE/0.6" board spacing. Maximum height over the board surface for this mounting is as low as 8.5mm/0.33".

They feature up to three well re-

gulated outputs allowing the defined outputs to stay within a  $\pm 3\%$  range for all specified load, line and temperature conditions. Thus digital and analog circuits can safely be supplied from the same converter.

The PKC series consist of complete units, i.e. no extra components or filtering are required for full operation including applications with stringent RFI requirements. The RFI suppression is in conformance with VDE/FCC/CISPR's curve A or N, temperature range is  $-45$  to  $+85^\circ\text{C}$  and the rugged mechanical design conforms to IEC 68-2 specifica-

tions, normally applicable for discrete components such as resistors and capacitors.

Surface mount hybrid technology, provides excellent thermal management. The high and constant switching frequency of 300kHz allows ceramic capacitors only to be used. This makes it possible to achieve an MTBF of  $>200$  years. Their low weight (50g/1.76ozs) along with their high reliability makes them ideal for e.g. Telecom, Datacom, Medical, Industrial and Airborne applications.

*EriPower is a Trade Mark of  
Ericsson Components AB*

Table of contents	Page
General data .....	3 – 4
Electrical characteristics .....	5 – 8
Load regulation diagrams .....	9 – 10
Test and operation .....	11 – 13
Applications .....	14 – 15

## Product program

Input	O/P1	Output O/P2	O/P3	P <sub>out</sub>	Type No.
-------	------	----------------	------	------------------	----------

## PKC 2000 PI

24V <sub>DC</sub> (18-36)	Single output			15W 18W	PKC 2111 PI PKC 2113 PI	
	5V/3A 12V/1.5A					
	Dual outputs			18W 18W	PKC 2121 PI PKC 2126 PI	
	+12V/1A +15V/0.8A					-12V/1A* -15V/0.8A*
Triple outputs			15W 15W 15W	PKC 2131 PI PKC 2132 PI PKC 2135 PI		
+5V/3A					+12V/0.6A	-12V/0.6A*
+5V/3A					+15V/0.5A	-15V/0.5A*
+5V/3A			+12V/0.6A	-5V/1A*		

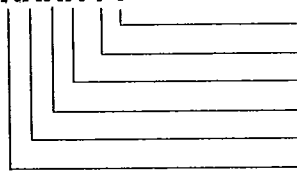
## PKC 4000 PI

48/60V <sub>DC</sub> (36-72)	Single output			15W 18W	PKC 4111 PI PKC 4113 PI	
	5V/3A 12V/1.5A					
	Dual outputs			18W 18W	PKC 4121 PI PKC 4126 PI	
	+12V/1A +15V/0.8A					-12V/1A* -15V/0.8A*
Triple outputs			15W 15W 15W	PKC 4131 PI PKC 4132 PI PKC 4135 PI		
+5V/3A					+12V/0.6A	-12V/0.6A*
+5V/3A					+15V/0.5A	-15V/0.5A*
+5V/3A			+12V/0.6A	-5V/1A*		

\* Max output power is limited to P<sub>out</sub>

## Ordering information

## PKC XXXX PI

	Isolation	I (500V <sub>DC</sub> )
	Mechanical version	P(PC-card version On-Card or In-Card)
	Voltage code	1, 2, 3, 4 etc.
	No. of outputs	1, 2 resp. 3
	Output power	1 (10-19.9W e.g. 15W)
	Input range	2 (24V <sub>DC</sub> ) 4 (48/60V <sub>DC</sub> )

## Common features

**Short circuit proof** for protection of the converter and the distribution cables.

**Low RFI and noise** according to VDE 0871 curve A, FCC class A and CISPR curve N.

Load transient protected by a

**Input sense with shutdown** command at undervoltage for safe battery operation.

**Remote control** output facilitates remote start/stop by means of a TTL compatible output.

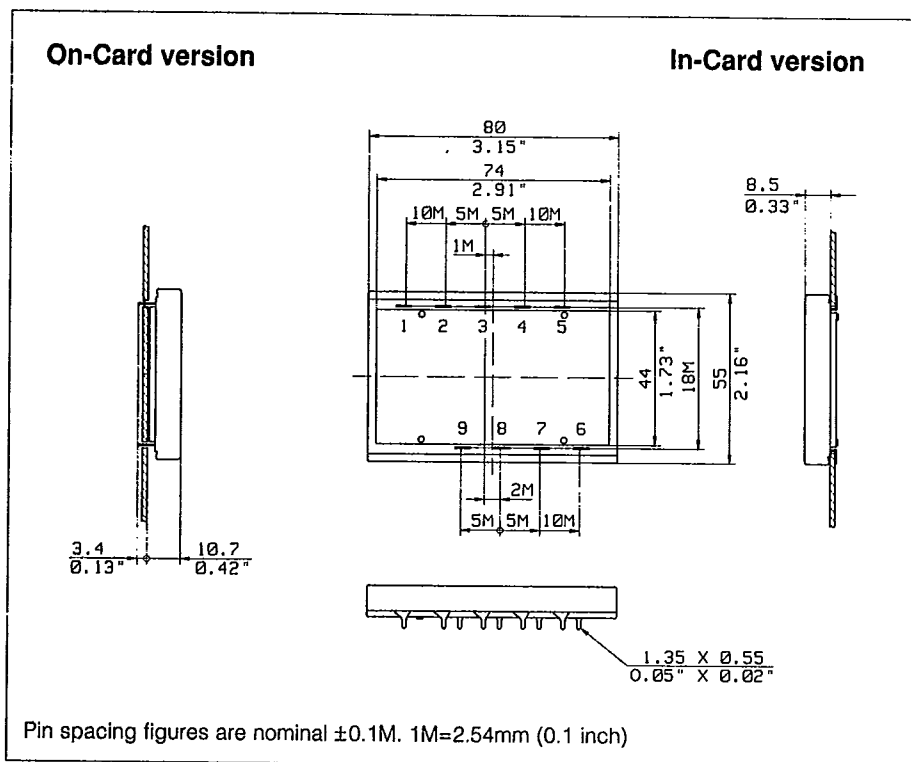
**Soft start** adapted for capacitive loads and microprocessor start up.

**Auxiliary output for supervision** of the converters operation and offer other electronics to be synchronized to the 300kHz switching frequency.

## General data

ERICSSON

## Dimensions (Given as maximum values in mm unless otherwise stated)



## Package

Blue anodized aluminium heat-sink profile with plastic bottom cover.

## Weight

50 grams (1.76 ozs.)

## Thermal data

Thermal resistance heat-sink to ambient  $R_{th}$  case-amb =  $9^{\circ}C/W$

## PCB-guide lines

When using single-sided PCB it's recommended to enter tubular rivets into the mounting holes to improve the electrical and mechanical performance. Mounting holes shall have a diameter of 1.8-2.0mm.

## Mounting

The PKC DC/DC converter must be mounted in a vertical position for full temp range, up to  $+85^{\circ}C$  at maximum output power.

## Connections

Output version	Termination pin no.									
	Vin		O/P1		O/P2		O/P3		Remote control	Auxiliary
+	-	+	-	+	-	-	+			
Single output	4	3	9	8					1	5
Dual output*	4	3	9	8, 7			6	7, 8	1	5
Triple output	4	3	9	8	7	8	6	8	1	5

\* pin 7 and 8 are internally connected.

## Environmental tests according to IEC

Test method	Reference	Test conditions
Vibration (Sinusoidal)	IEC 68-2-6 F <sub>c</sub>	Frequency 10-500Hz Displacement amplitude 0.75mm Acceleration amplitude 100m/s <sup>2</sup> Number of cycles 10 in each axis
Shock (Half-sin.)	IEC 68-2-27 E <sub>a</sub>	Peak acceleration 2000m/s <sup>2</sup> Shock duration 3ms
Bump (Half-sin.)	IEC 68-2-29 E <sub>b</sub>	Peak acceleration 400m/s <sup>2</sup> Bump duration 6ms Number of bumps 1000 in 6 directions
Temperature change	IEC 68-2-14 N <sub>a</sub>	Temperature -40...+125°C Number of cycles 10
Damp heat constant temperature	IEC 68-2-3 C <sub>a</sub>	Temperature 40°C Duration 56 days

## 15–18W DC/DC Converters

Input: 18 – 36V<sub>DC</sub> (PKC 2000)  
36 – 72V<sub>DC</sub> (PKC 4000)

For definitions, see "Test and operation" section.

### Absolute maximum ratings

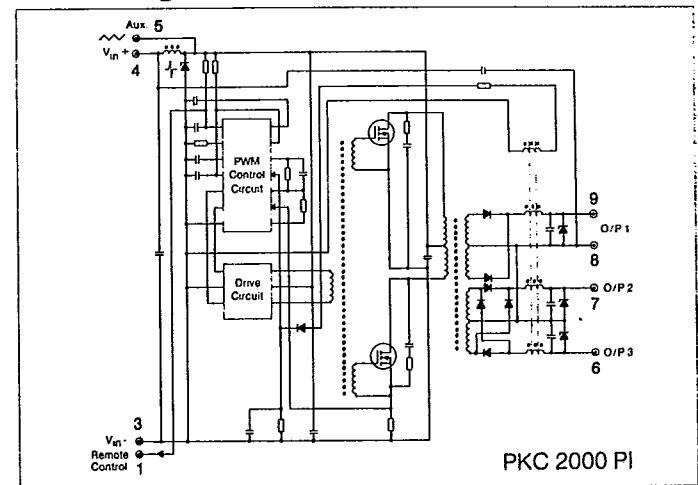
$T_{amb}$	Operating ambient temp. at full load	-45°C...+85°C
$T_{stg}$	Storage temperature	-55°C...+125°C
$T_c$ max	Case temperature	+115°C
$I_o$	Output current	Internally limited
$W_{tr}$	Transient input energy, $T_{amb}=+25°C$	0.6Ws
$V_{iso}$	Input/Output isolation voltage	500V <sub>DC</sub>

$T_{amb}=0...+65°C$  ( $T_c=0...+95°C$ ),  
 $V_i=V_{i,nom}$  and  $I_o=I_{o,nom}$  unless otherwise specified.

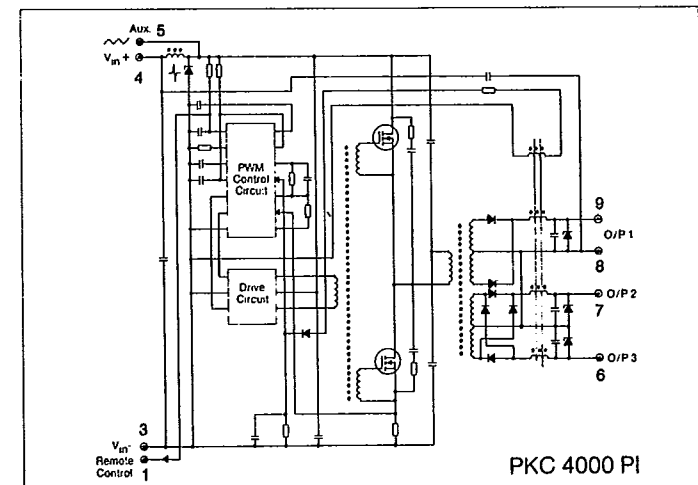
### Input data ( $T_c < T_c$ max)

Characteristics		PKC 2000			PKC 4000			unit
		min	nom	max	min	nom	max	
$V_i$	Input voltage	18	26	36	36	50	72	V
$V_{ish}$	Shutdown input voltage	13	15	16.7	28	32	35	V
	Insertion I <sup>2</sup> t value	typ. 1 • 10 <sup>-3</sup>						A <sup>2</sup> s
	Input power at no load condition	typ. 2						W
rfl	RFI suppression 0.01 – 30 MHz	VDE0871/FCC			Curve A/Class A			

### Block diagram



PKC 2000 PI



PKC 4000 PI

### Output data Single output models

Characteristics		Conditions	Min	Typ	Max	Min	Typ	Max	U
$V_{oi}$	Output voltage initial setting and accuracy	$T_{amb} = +25°C$ Stabilized conditions		5.05	±0.7%		12.00	±0.5%	V
$V_o$	Output voltage	$I_o = 0.1 \cdot I_{o,nom}$ , $V_{i,min} - V_{i,max}$	4.90		5.25	11.80		12.35	V
		$I_o = 0$			5.25			12.35	V
$I_{o,nom}$	Nominal load			3.0			1.5	A	
$t_{st}$	Start-up time	$I_o > 0.1 \cdot I_{o,nom}$		10			10		ms
$I_o$	Output current	$V_{i,min} - V_{i,max}$ , $T_c < T_c$ max	0		3.0	0		1.5	A
$P_{o,max}$	Max output power	$V_{i,min} - V_{i,max}$ , $T_c < T_c$ max	15			18			W
$I_{oi}$	Current limiting threshold	$V_{i,min} - V_{i,max}$ , $T_c < T_c$ max	3.1			1.6			A
$\eta$	Efficiency	$I_o = 0.5 \cdot I_{o,nom}$		83			86		%
$V_{ov}$	Line regulation	$V_{i,min} - V_{i,max}$			±0.5			±0.7	%
$V_{of}$	Load regulation	$I_o = 0.1 \cdot I_{o,nom}$			±1.5			±1.5	%
$t_{tr}$	Load transient recovery time	$I_o > 0.1 \cdot I_{o,nom}$		100			200		µs
$T_{coeff}$	Temperature coefficient	$V_{i,min} - V_{i,max}$ , $T_c < T_c$ max		-0.5			-1.2		mV/°C
$V_{orip}$	Output ripple	$V_i = V_{i,min} - V_{i,max}$			100			100	mV <sub>p-p</sub>
				20			20		mV <sub>rms</sub>
	rejection	$f = 100\text{Hz}$ Sine wave 1V <sub>p-p</sub>	50			43			dB

### PKC 2111/4111 PI PKC 2113/4113 PI

## Electrical characteristics

$T_{amb} = 0 \dots +65^{\circ}\text{C}$  ( $T_c = 0 \dots +95^{\circ}\text{C}$ ),  $V_i = V_{i,nom}$  and  $I_o = I_{o,nom}$  unless otherwise specified.

## Output data Dual output models

## PKC 2121/4121 PI

Characteristics		Conditions	O/P1			O/P3			Unit
			Min	Typ	Max	Min	Typ	Max	
$V_{oi}$	Output voltage initial setting and accuracy	$T_{amb} = +25^{\circ}\text{C}$ Stabilized conditions		12.00	$\pm 0.7\%$		12.00	$\pm 1.3\%$	V
$V_o$	Output voltage	$I_o = 0.1 \cdot I_{o,nom}$ , $V_{i,min} - V_{i,max}$ $I_o$ (O/P3) = $I_{o,nom}$	11.75		12.35				V
$I_{o,nom}$	Nominal load	$I_o = 0$			12.35		15		V
$t_{st}$	Start-up time	$I_o > 0.1 I_{o,nom}$		10			10		ms
$I_o$	Output current	$V_{i,min} - V_{i,max}$ , $T_c < T_{c,max}$	0		1.2	0		1.2	A
$P_{o,max}$	Max output power	$V_{i,min} - V_{i,max}$ , $T_c < T_{c,max}$	min 18						W
$I_{ol}$	Current limiting threshold	$V_{i,min} - V_{i,max}$ , $T_c < T_{c,max}$	min 102*						%
$\eta$	Efficiency	$I_o = 0.5 \cdot I_{o,nom}$	typ 87						%
$V_{ov}$	Line regulation	$V_{i,min} - V_{i,max}$			$\pm 0.5$			$\pm 0.6$	%
$V_{ol}$	Load regulation	$I_o = 0.1 \cdot I_{o,nom}$ , $I_o$ (O/P3) = $I_{o,nom}$			$\pm 1.5$				%
$t_{tr}$	Load transient recovery time	$I_o > 0.1 I_{o,nom}$		200			200		$\mu\text{s}$
$T_{coeff}$	Temperature coefficient	$V_{i,min} - V_{i,max}$ , $T_c < T_{c,max}$		-1			-1		mV/ $^{\circ}\text{C}$
$V_{orip}$	Output ripple	$V_{i,min} - V_{i,max}$			100			100	mV <sub>p-p</sub>
				10			10		mV <sub>rms</sub>
SVR	Supply voltage rejection	$f = 100\text{Hz}$ Sine wave $1V_{p-p}$	43			43			dB

## Output data Dual output models

## PKC 2126/4126 PI

Characteristics		Conditions	O/P1			O/P3			Unit
			Min	Typ	Max	Min	Typ	Max	
$V_{oi}$	Output voltage initial setting and accuracy	$T_{amb} = +25^{\circ}\text{C}$ Stabilized conditions		15.00	$\pm 0.7\%$		15.00	$\pm 1.2\%$	V
$V_o$	Output voltage	$I_o = 0.1 \cdot I_{o,nom}$ , $V_{i,min} - V_{i,max}$ $I_o$ (O/P3) = $I_{o,nom}$	14.70		15.40				V
$I_{o,nom}$	Nominal load	$I_o = 0$			15.40		18		V
$t_{st}$	Start-up time	$I_o > 0.1 I_{o,nom}$		10			10		ms
$I_o$	Output current	$V_{i,min} - V_{i,max}$ , $T_c < T_{c,max}$	0		1.0	0		1.0	A
$P_{o,max}$	Max output power	$V_{i,min} - V_{i,max}$ , $T_c < T_{c,max}$	min 18						W
$I_{ol}$	Current limiting threshold	$V_{i,min} - V_{i,max}$ , $T_c < T_{c,max}$	min 102*						%
$\eta$	Efficiency	$I_o = 0.5 \cdot I_{o,nom}$	typ 87						%
$V_{ov}$	Line regulation	$V_{i,min} - V_{i,max}$			$\pm 0.8$			$\pm 0.9$	%
$V_{ol}$	Load regulation	$I_o = 0.1 \cdot I_{o,nom}$ , $I_o$ (O/P3) = $I_{o,nom}$			$\pm 1.5$				%
$t_{tr}$	Load transient recovery time	$I_o > 0.1 I_{o,nom}$		250			250		$\mu\text{s}$
$T_{coeff}$	Temperature coefficient	$V_{i,min} - V_{i,max}$ , $T_c < T_{c,max}$		-1			-1		mV/ $^{\circ}\text{C}$
$V_{orip}$	Output ripple	$V_{i,min} - V_{i,max}$			100			100	mV <sub>p-p</sub>
				10			10		mV <sub>rms</sub>
SVR	Supply voltage rejection	$f = 100\text{Hz}$ Sine wave $1V_{p-p}$	40			40			dB

\* PKC is power limited. Current limiting threshold on each output is set by the total load.

$T_{amb} = 0...+65^{\circ}\text{C}$  ( $T_c = 0...+95^{\circ}\text{C}$ ), and  $V_i = V_{i,nom}$   $I_o = I_{o,nom}$  unless otherwise specified.

## Output data Triple output models

## PKC 2131/4131 PI

Characteristics		Conditions	O/P1			O/P2, O/P3			Unit
			Min	Typ	Max	Min	Typ	Max	
$V_{oi}$	Output voltage initial setting and accuracy	$T_{amb} = +25^{\circ}\text{C}$ Stabilized conditions		5.05	$\pm 0.7\%$		12.00	$\pm 1.3\%$	V
$V_o$	Output voltage	$I_o = 0.1 \cdot I_{o,nom}$ , $V_{i,min} - V_{i,max}$ $I_o$ (O/P2, 3) = $I_{o,nom}$	4.90		5.25				V
		$I_o = 0$			5.25		15		V
$I_{o,nom}$	Nominal load			2.0			0.2		A
$t_{st}$	Start-up time	$I_o > 0.1 I_{o,nom}$		10			10		ms
$I_o$	Output current	$V_{i,min} - V_{i,max}$ , $T_c < T_{c,max}$	0		3.0			0.6	A
$P_{o,max}$	Max output power	$V_{i,min} - V_{i,max}$ , $T_c < T_{c,max}$				min 15			W
$I_{ol}$	Current limiting threshold	$V_{i,min} - V_{i,max}$ , $T_c < T_{c,max}$				min 102*			%
$\eta$	Efficiency	$I_o = 0.5 \cdot I_{o,nom}$				typ 82			%
$V_{ov}$	Line regulation	$V_{i,min} - V_{i,max}$			$\pm 0.5$			$\pm 0.6$	%
$V_{oi}$	Load regulation	$I_o = 0.1 \cdot I_{o,nom}$			$\pm 1.5$				%
$t_{tr}$	Load transient recovery time	$I_o > 0.1 I_{o,nom}$		100			200		$\mu\text{s}$
$T_{coeff}$	Temperature coefficient	$V_{i,min} - V_{i,max}$ , $T_c < T_{c,max}$		0.5			-1.2		$\text{mV}/^{\circ}\text{C}$
$V_{orip}$	Output ripple	$V_{i,min} - V_{i,max}$			100			150	$\text{mV}_{p-p}$
				15			15		$\text{mV}_{rms}$
SVR	Supply voltage rejection	$f = 100\text{Hz}$ Sine wave $1V_{p-p}$	50				43		dB

## Output data Triple output models

## PKC 2132/4132 PI

Characteristics		Conditions	O/P1			O/P2, O/P3			Unit
			Min	Typ	Max	Min	Typ	Max	
$V_{oi}$	Output voltage initial setting and accuracy	$T_{amb} = +25^{\circ}\text{C}$ Stabilized conditions		5.05	$\pm 0.7\%$		15.00	$\pm 1.3\%$	V
$V_o$	Output voltage	$I_o = 0.1 \cdot I_{o,nom}$ , $V_{i,min} - V_{i,max}$ $I_o$ (O/P2, 3) = $I_{o,nom}$	4.90		5.25				V
		$I_o = 0$			5.25		18		V
$I_{o,nom}$	Nominal load			2.0			0.17		A
$t_{st}$	Start-up time	$I_o > 0.1 I_{o,nom}$		10			10		ms
$I_o$	Output current	$V_{i,min} - V_{i,max}$ , $T_c < T_{c,max}$	0		3.0			0.5	A
$P_{o,max}$	Max output power	$V_{i,min} - V_{i,max}$ , $T_c < T_{c,max}$				min 15			W
$I_{ol}$	Current limiting threshold	$V_{i,min} - V_{i,max}$ , $T_c < T_{c,max}$				min 102*			%
$\eta$	Efficiency	$I_o = 0.5 \cdot I_{o,nom}$				typ 82			%
$V_{ov}$	Line regulation	$V_{i,min} - V_{i,max}$			$\pm 0.5$			$\pm 0.6$	%
$V_{oi}$	Load regulation	$I_o = 0.1 \cdot I_{o,nom}$			$\pm 1.5$				%
$t_{tr}$	Load transient recovery time	$I_o > 0.1 I_{o,nom}$		100			250		$\mu\text{s}$
$T_{coeff}$	Temperature coefficient	$V_{i,min} - V_{i,max}$ , $T_c < T_{c,max}$		-0.5			-1.5		$\text{mV}/^{\circ}\text{C}$
$V_{orip}$	Output ripple	$V_{i,min} - V_{i,max}$			100			150	$\text{mV}_{p-p}$
				20			20		$\text{mV}_{rms}$
SVR	Supply voltage rejection	$f = 100\text{Hz}$ Sine wave $1V_{p-p}$	50				40		dB

\*PKC is power limited. Current limiting threshold on each output is set by the total load.  
Maximum total power on output 2 and 3 is 10W.

## Electrical characteristics

$T_{amb} = 0... +65^{\circ}\text{C}$  ( $T_c = 0... +95^{\circ}\text{C}$ )  $V_i = V_{i,nom}$  and  $I_o = I_{o,nom}$  unless otherwise specified.

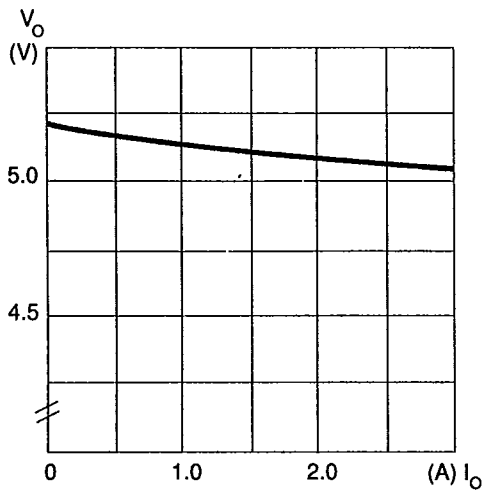
## Output data Triple output models

## PKC 2135/4135 PI

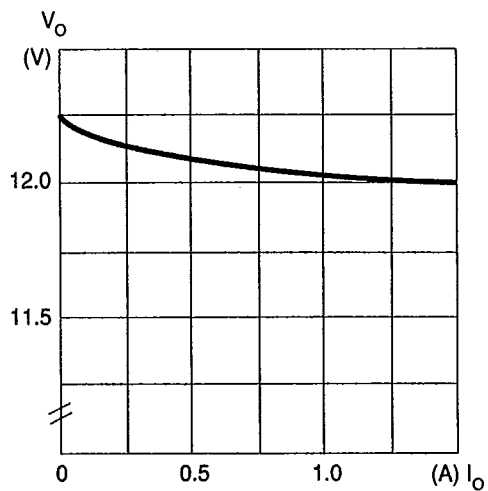
Characteristics		Conditions	O/P1			O/P2			O/P3			Unit
			Min	Typ	Max	Min	Typ	Max	Min	Typ	Max	
$V_{or}$	Output voltage initial setting and accuracy	$T_{amb} = +25^{\circ}\text{C}$ Stabilized conditions	5.05		$\pm 0.6\%$	12.10		$\pm 1.7\%$	5.00		$\pm 0.8\%$	V
$V_o$	Output voltage	$I_o = 0.1 \cdot I_{o,nom}$ , $V_{i,min} - V_{i,max}$ $I_o$ (O/P2, O/P3) = $I_{o,nom}$ $I_o = 0$	4.90		5.25							V
$I_{o,nom}$	Nominal load		2.0			15			6			V
$t_{st}$	Start-up time	$I_o > 0.1 I_{o,nom}$	10			10			10			ms
$I_o$	Output current	$V_{i,min} - V_{i,max}$ , $T_c < T_{c,max}$	0		3.0	0		0.6	0		1.0	A
$P_{o,max}$	Max output power	$V_{i,min} - V_{i,max}$ , $T_c < T_{c,max}$						min 15				W
$I_{ol}$	Current limiting threshold	$V_{i,min} - V_{i,max}$ , $T_c < T_{c,max}$						min 102*				%
$\eta$	Efficiency	$I_o = 0.5 \cdot I_{o,nom}$						typ 82				%
$V_{ov}$	Line regulation	$V_{i,min} - V_{i,max}$ , $I_{o,nom}$			$\pm 0.7$			$\pm 0.8$			$\pm 0.8$	%
$V_{ol}$	Load regulation	$I_o = 0.1 \cdot I_{o,nom}$			$\pm 1.5$							%
$t_{tr}$	Load transient recovery time	$I_o > 0.1 I_{o,nom}$	100			200			100			$\mu\text{s}$
$T_{coeff}$	Temperature coefficient	$V_{i,min} - V_{i,max}$ , $T_c < T_{c,max}$	-0.5			-1			-0.5			$\text{mV}/^{\circ}\text{C}$
$V_{orip}$	Output ripple	$V_{i,min} - V_{i,max}$			100			150			100	$\text{mV}_{p-p}$
					15			15			15	$\text{mV}_{rms}$
SVR	Supply voltage rejection	$f = 100\text{Hz}$ Sine wave $1V_{p-p}$	50			43			50			dB

\*PKC is power limited. Current limiting threshold on each output is set by the total load. Maximum total power on output 2 and 3 is 10W.

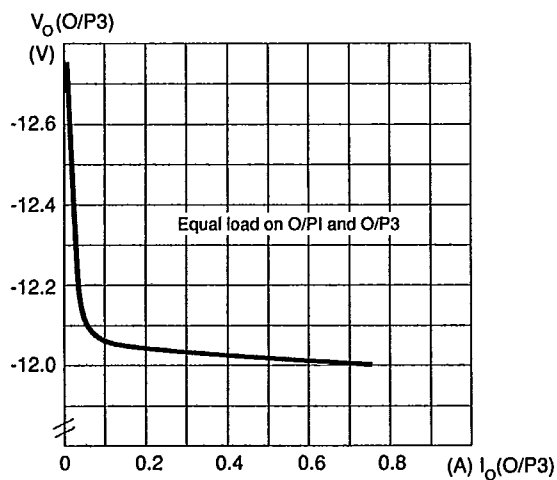




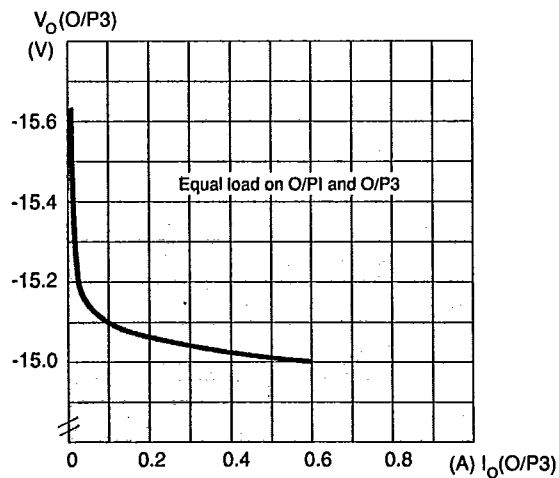
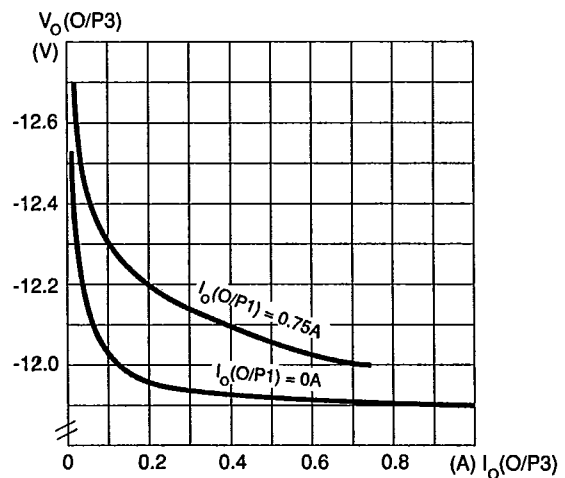
Load regulation PKC 2111/4111 PI



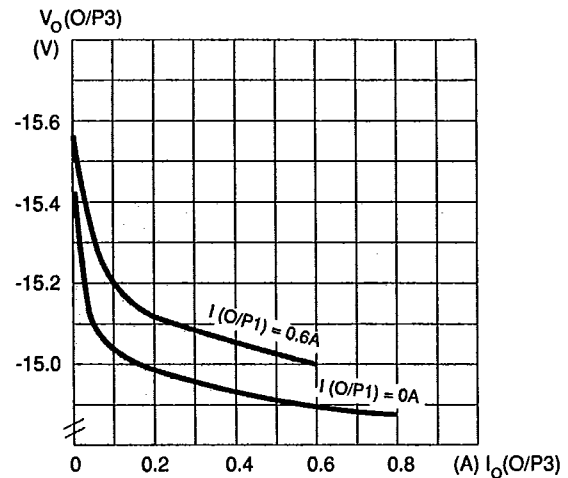
Load regulation PKC 2113/4113 PI



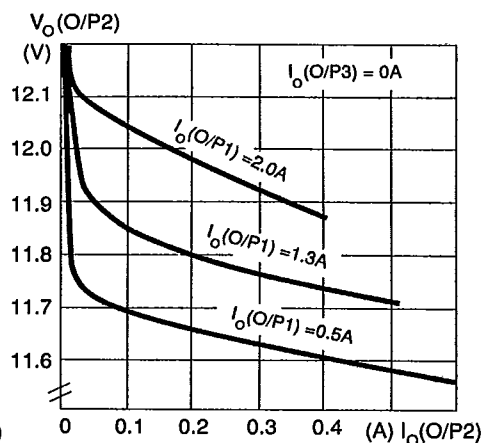
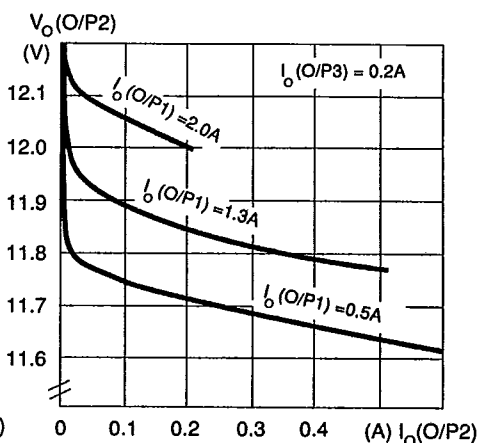
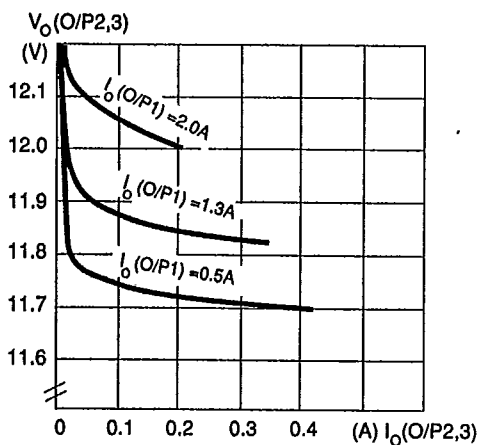
Load regulation PKC 2121/4121 PI



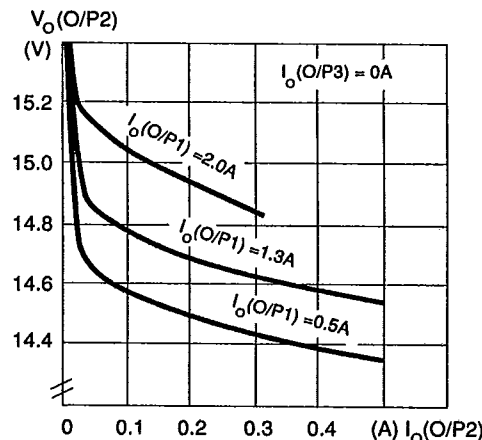
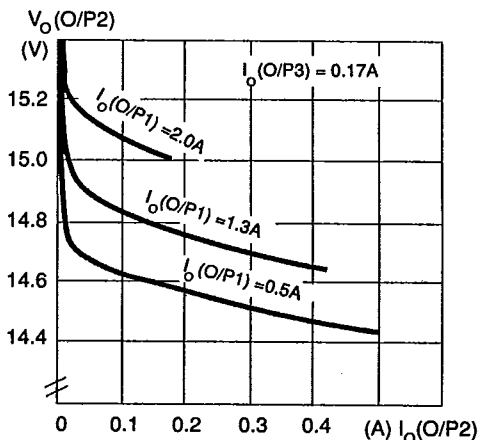
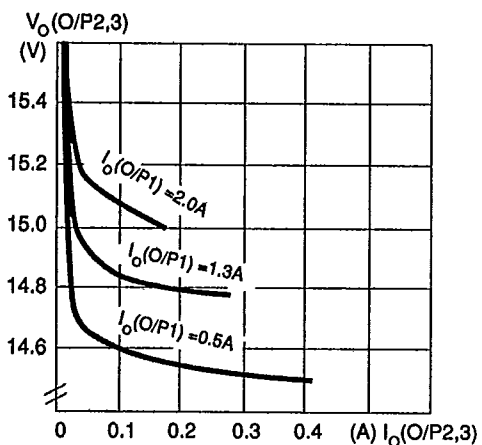
Load regulation PKC 2126/4126 PI



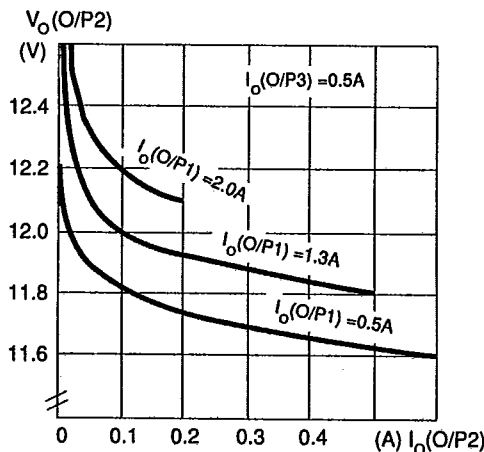
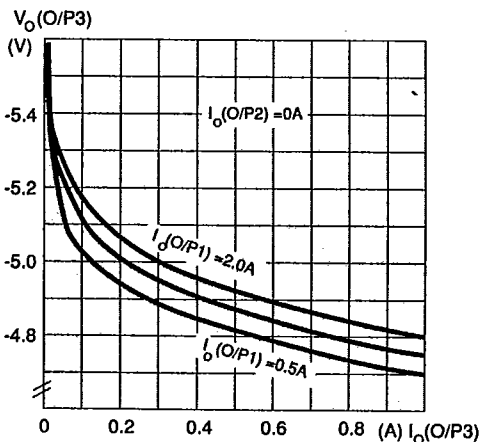
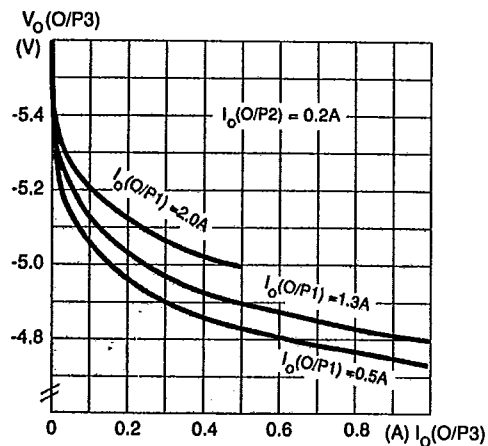
Load regulation



Load regulation PKC 2131/4131 PI



Load regulation PKC 2132/4132 PI



Load regulation PKC 2135/4135 PI

**Compliance with specified electrical parameters will be achieved under the following conditions.**

**Absolute maximum ratings**

Stress above data listed under Absolute Maximum Ratings may cause permanent damage to the converter. These are stress ratings only. Operation of the converter at these or any other conditions above those indicated in the electrical characteristics sections of the specification for extended periods will significantly affect the reliability performance.

**General conditions**

- Temperature: 0-65 °C
- Input voltage: Nominal 26/50V<sub>DC</sub>
- Output loading: Full rated output power ( $I_o = I_o \text{ nom}$ ) unless otherwise stated
- Test equipment: Accuracy and stability 10 times better than desired resolution of test. The test load should have low inductance, otherwise use a capacitor across the output for compensation. Shortest possible and twisted
- Cables:

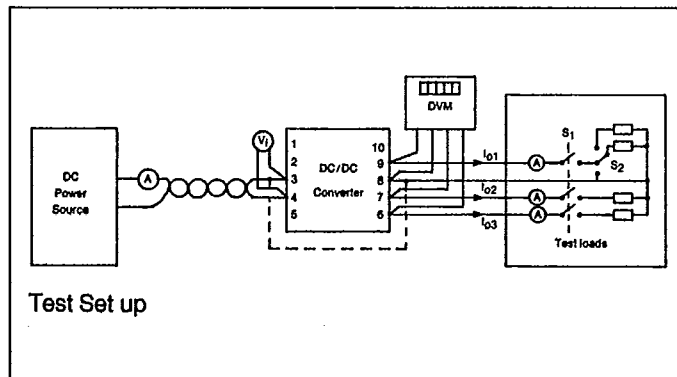


Fig. 1 Switch S<sub>1</sub> for measurement of input power at no load Switch S<sub>2</sub> for dynamic load regulation measurement and short circuit test.

**Output voltage**

Measured output voltage shall be within specified output voltage ( $V_o$ ). 5V output is laser trimmed to 5.05V, at nominal load, for compensation of distribution losses. The other outputs, e.g. 12, 15 and -5V, are centered at the rated values.

**Slow start**

The PKC series of DC/DC converters have a built-in slow start to ensure start up when loaded with capacitive loads. A slew-rate of 0.5 V/ms ensures safe operation of  $\mu$ -processors. After connecting the input voltage there will be a delay time of typ. 10ms before the output voltage begins to ramp up.

**Current limiting protection**

The output power is limited at loads above the output current limiting threshold ( $I_{lo}$ ), specified as minimum value.

As the PKC multiple output converters are power limited, current limiting threshold for each output is set by the loads assignment between the outputs. The unit can withstand continuous short circuit without destruction. A hick-up mode is used on all units to minimize the internal power dissipation. The hick-up time constant is set by the slow start.

**Output power characteristics**

All PKC DC/DC converters have wide temperature range with full output power. No extra heatsinks required!

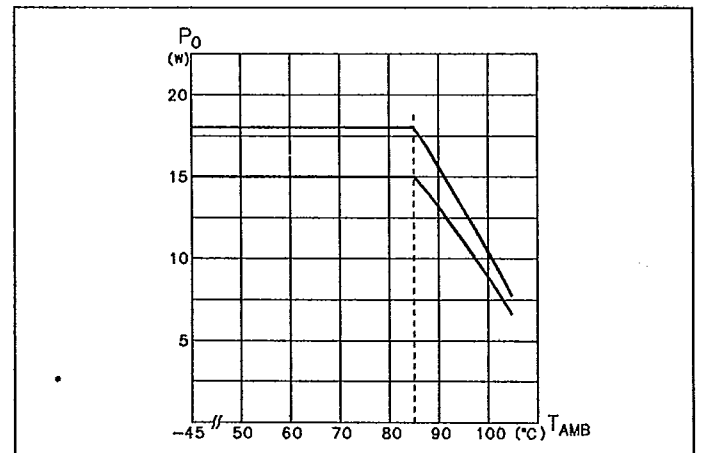


Fig. 2 Output power vs. ambient temperature.

**Efficiency**

The ratio of output to input power given in percentage.  $\eta = P_{out}/P_{in} = (P_{in} - P_{diss})/P_{in} [\%]$

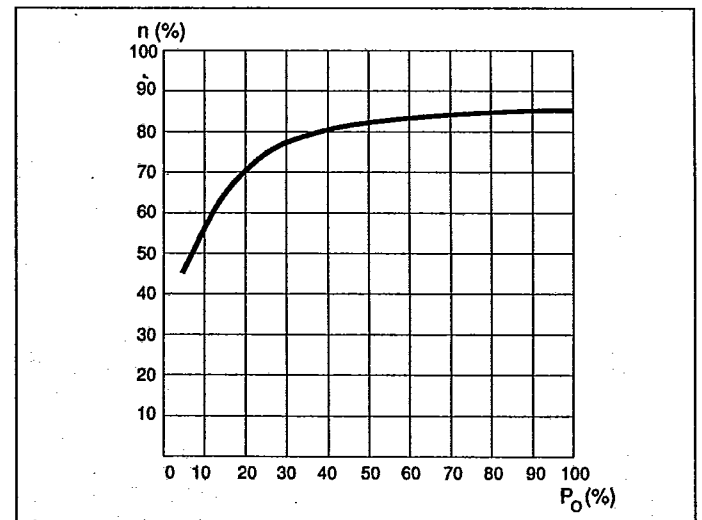


Fig. 3 Typical efficiency diagram for PKC DC/DC converters.

## Test and operation

ERICSSON 

### Ripple and noise

The magnitude of AC voltage superimposed on the DC output. Specified with peak-peak and RMS values.

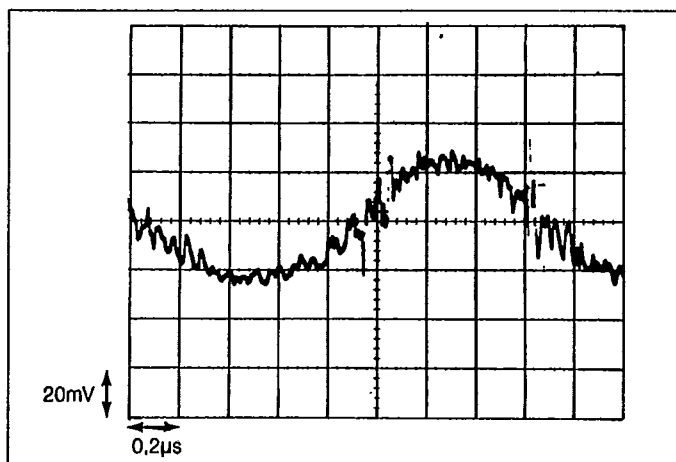


Fig. 4 Output ripple on 5V output.

Ripple data ( $V_{onp}$ ) specified under electrical characteristics is measured at the output terminals with a 50MHz oscilloscope and a true RMS voltmeter (DVM, crestfactor >4.5) respectively.

The oscilloscope coaxial cable ( $Z=50\Omega$ ) is a zero ground loop type ended with  $50\Omega$  into the oscilloscope, to avoid reflexion of high frequency noise.

30 cm (12") twisted cables ended with a  $47\mu\text{F}$  capacitor reduces the measured ripple with 12dB (0.25).

### Load regulation

The maximum deviation of the output voltage in percent of  $V_o$  as the load is varied from minimum to maximum rated load. Input voltage is at nominal value and the temperature is held constant. Multiple output units are tested with constant nominal load on the other outputs. All outputs are regulated by means of a magnetically coupled feed-back loop. Multiple output units will therefore regulate on the integration of all the output values in the output choke.

The values are given as  $\pm 0.5 \times \text{max deviation}$ .

### Line regulation

The maximum deviation of the output voltage in percent of  $V_o$  as the input voltage is varied from nominal to high limit and nominal to low limit. Output load and temperature are held constant.

### Cross regulation

The maximum deviation in percent of a dual or a triple output converter's output, as the other output is varied from minimum to maximum load. Input voltage is nominal value and the temperature is held constant. Cross from the load regulation dia-

### Dynamic load response

The maximum deviation in percent of the output voltage as the load step-changes, and the time for recover to within specified limits.

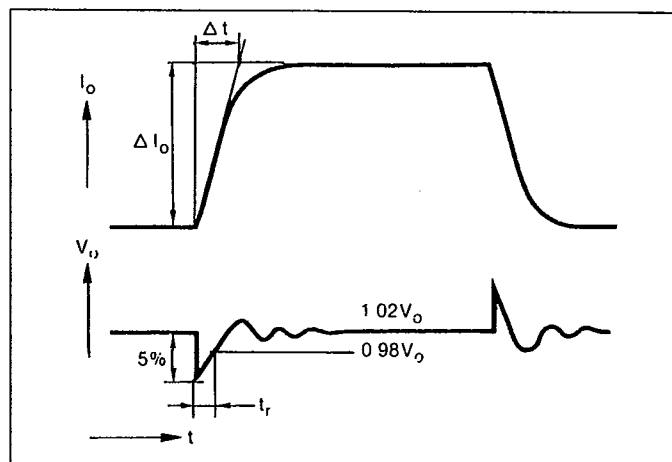


Fig. 5  $\Delta I_o = 0.8 \times I_{o, \text{nom}}$ ,  $\Delta t = 100\mu\text{s}$ .

A very short recovery time is achieved by the switching frequency and small filter capacitors, which allows the cross-over frequency of the control loop to be as high as 30kHz. It takes approximately 10 -15 cycles for the PKC converter to respond. The transient peak value is determined by the load step slope change.

### Isolation voltage

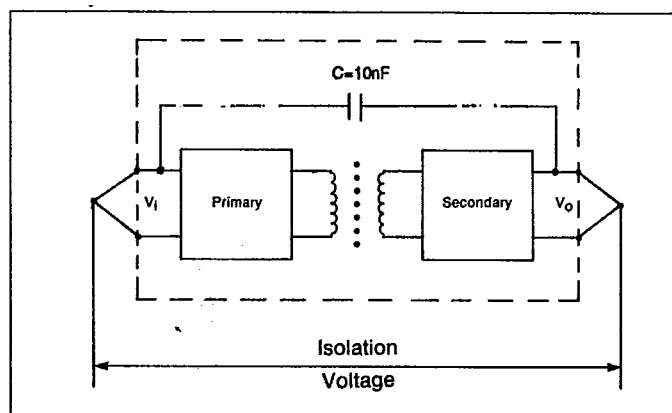


Fig. 6

The maximum DC voltage which may be applied between input and output terminals of the isolated PKC converters,  $V_{iso} = 500\text{V}$ . Isolation between input/output and case is  $> 1000\text{V}$ .

Note, no AC voltage is rated for the PKC because of the internally connected decoupling capacitor between input and output grounds, which precludes an AC test of the converter. However the leakage current at  $500\text{V} \sim$  will be less than 2mA, (50/60Hz).

## RFI Suppression

### Conducted RFI

Noise generated by a system and reflected in to the power source. Measured in dB $\mu$ V over a specified frequency range. The PKC series of DC/DC converters meets the German specification VDE 0871 curve A and FCC 20780 class A.

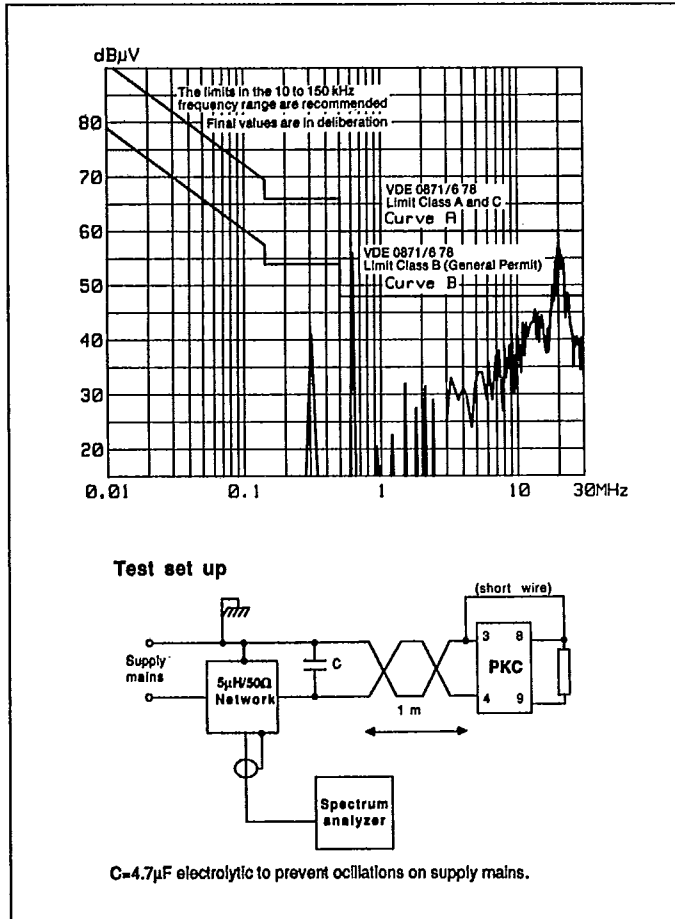


Fig. 7 Conducted RFI measured with a 5 $\mu$ H/50 $\Omega$  line-filter. A defined ground-plane is essential for the high-frequency part, and a small capacitor (4.7 $\mu$ F) across the line might be necessary if the line impedance is causing unstable operation.

### Radiated RFI

The electromagnetic radiation emitted by a system into the environment. Measured at a specified distance and frequency range. No official measurements on PKC converters are performed because it is application dependent. However the PKC converters metallic cover shields radiated noise and the units small size compared to the wave-length (>3m at 100MHz) eliminates transmission.

## Input transient energy

A transient protection device is incorporated in the PKC unit.

The device can withstand a transient energy of 0.6Ws. To keep the energy and the input clamp voltage within safe current must be kept < 8A into PKC 2000 and 4A < into PKC 4000.

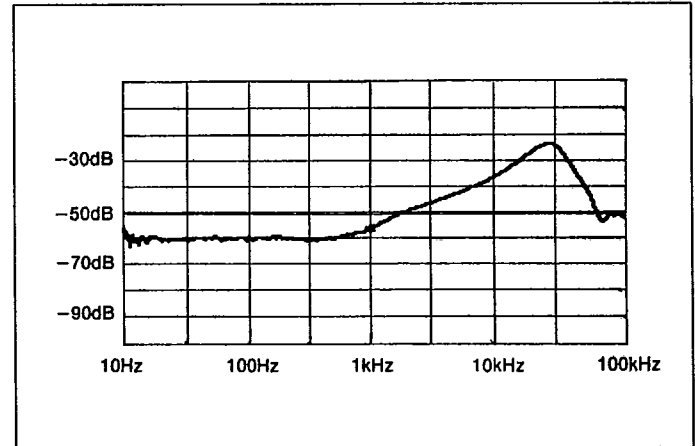


Fig. 8 SVR vs. input voltage ripple frequency. SVR is log. proportional to the output voltage.

## Supply voltage rejection

The internal filters and the high cross over frequency of the control loop suppresses ac signals superimposed on the DC input voltage to be transferred to the converters output.

Values are given in dB as a ratio between input signal and output response.

## 100% burn-in test

Conditions:

- $T_{amb} = +80^{\circ}\text{C}$
- $T_{case} = +110^{\circ}\text{C}$
- $V_i = V_{i,nom}$
- $I_o = I_{o,nom}$
- $t = 12 \text{ hours}$

Accepted quality level: (AQL)	
Major defect (Operational error)	0.25
Minor A defect (Parameter error)	1.5
Minor B defect (Other errors)	2.5

## Warranty

Warranty given in any Sales conditions is not valid if the PKC converter is opened.

Power distribution considerations

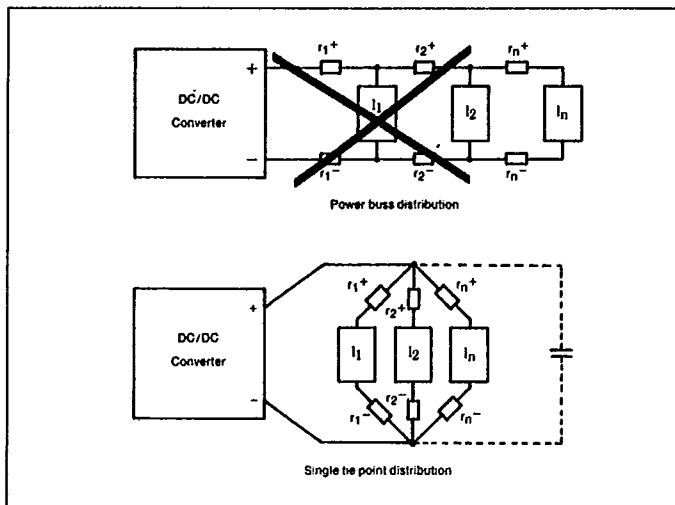


Fig. 9 The single tie point distribution minimizes interferences between the loads. Distribution resistors  $r_{1+}$  and  $r_{1-}$  connected to load  $I_1$  will not generate voltage drops caused by changes of loads  $I_2$  and  $I_n$ .

Input and output impedance

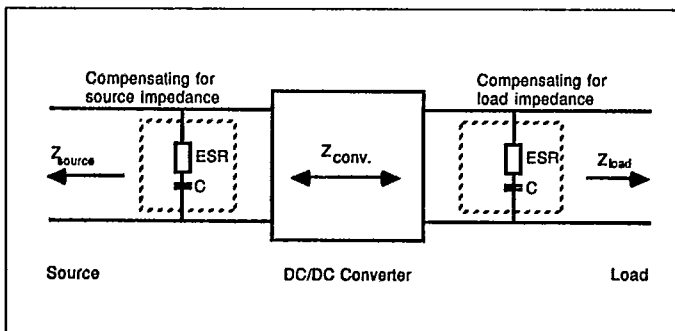


Fig. 10 Both the source impedance of the power feeding and the load impedance will interact with the impedance of the DC/DC converter.

It is most important to have the ratio between L and C as low as possible, i.e. a low characteristic impedance, both at the input and output, as the converters have a low energy storage capability. A compensation is necessary if the source or load inductance is larger than 10  $\mu$ H. Use wet electrolytic capacitors. Their internal resistance together with the capacitance acts as a lossless damping filter. Suitable capacitance is 10-100  $\mu$ F. It is recommended not to use tantalum capacitors, due to their low ESR-value.

Maximum capacitive loads

Single 5V	up to 1500 $\mu$ F
Single 12V	up to 470 $\mu$ F
Duals	up to 2 x 220 $\mu$ F
Triples	1000 $\mu$ F on + 5V output and 2 x 100 $\mu$ F on $\pm$ 12V outputs or 2 x 68 $\mu$ F on $\pm$ 15V outputs

These are max. capacitive loads without inductance or resistance in series. Low ESR (Equivalent Series Resistance) capacitors with high capacitances may cause unstable operation if connected close to the output terminals.

Input voltage shutdown

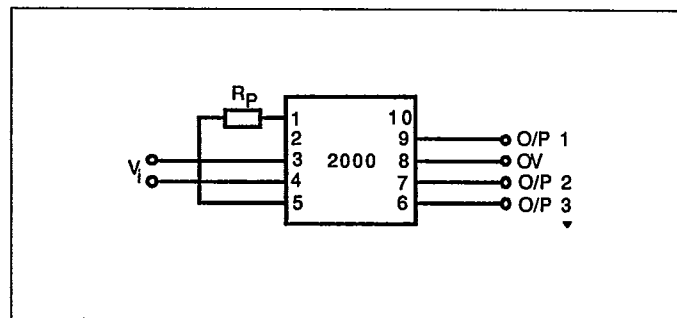


Fig. 11  $R_p = 100$  k $\Omega$  decreases  $V_{ish}$  to < 16V /PKC 2000).

If the input voltage decreases below  $0.95 \times V_{i,min}$  the output voltage decreases proportionally to  $V_i$  at an output current of  $0.75 \times I_{o,nom}$ . Higher output voltage can be achieved with further derating of  $I_o$ .

Over Voltage Protection (OVP)

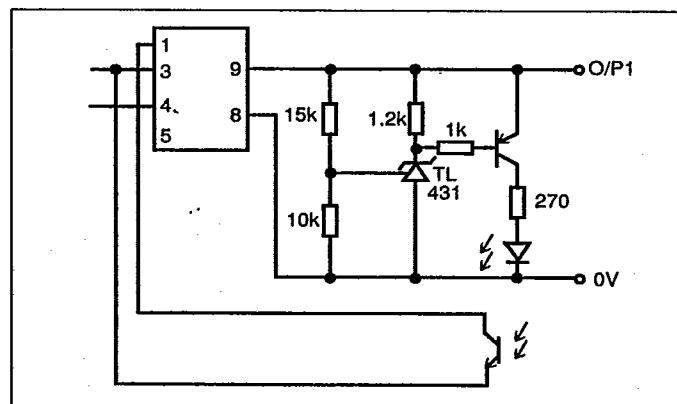


Fig. 12

When activated the oscillator circuit is unconditionally shorted and the output is down. The converter restarts automatically after overvoltage conditions.

## Applications

## Remote control

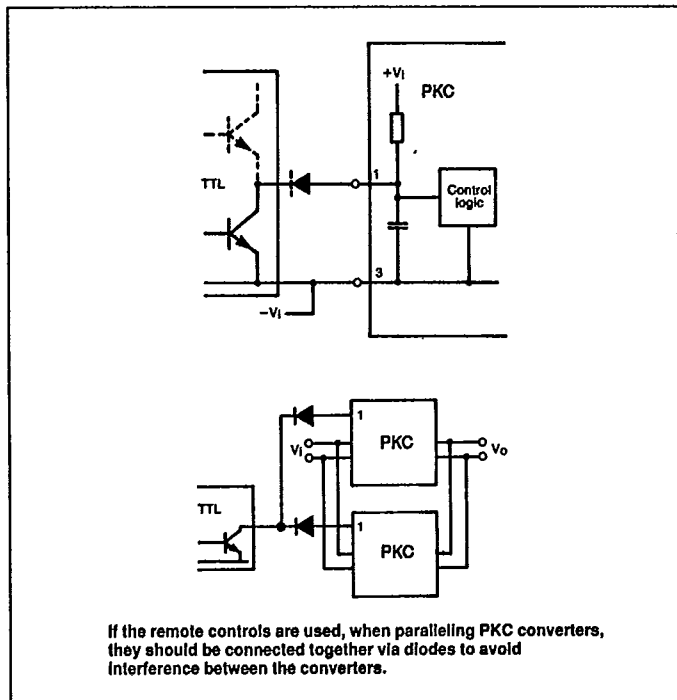


Fig 13

A feature that makes it possible to turn off or start up the converter externally with TTL logic signal or a mechanical switch connected to pin 1.

	V(Pin 1-3)
On	Open circuit
Off	$<1.8V_{DC}$

The internal pull-up resistance is 15kohm for PKC 2000, and 36kohm for PKC 4000.

**Note** pin 1 is an output and no current should be driven into pin 1. Use a diode if necessary e.g. totem-pole TTL logic.

## Parallel operation

## Direct parallel connection

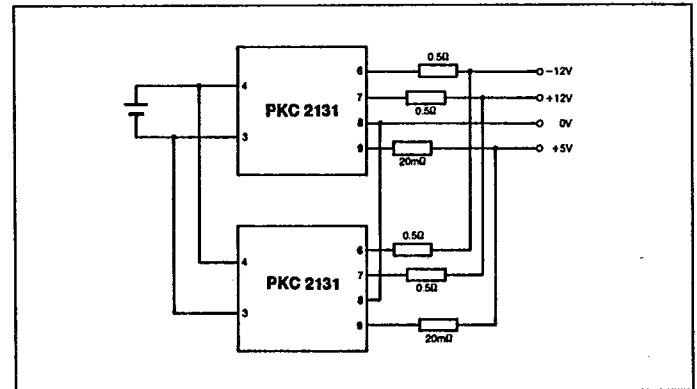


Fig. 14

External resistors are normally not needed the voltage drop across each resistor improves output current sharing. Resistor values depends on load current ratings and should be designed for highest efficiency and acceptable load sharing performance.

## Improved EMC

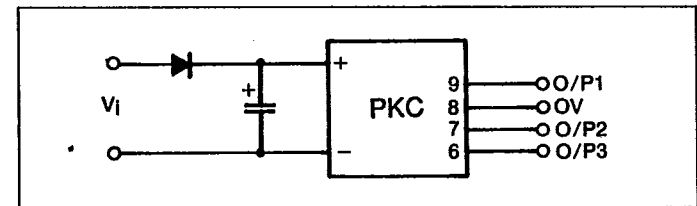


Fig. 15

## Brown-outs

Avoiding input voltage shutdown during transient voltage drops, e.g. when connecting other equipment to the power lines, use a schottky rectifier for lowest power loss and a 100μF wet electrolytic capacitor.

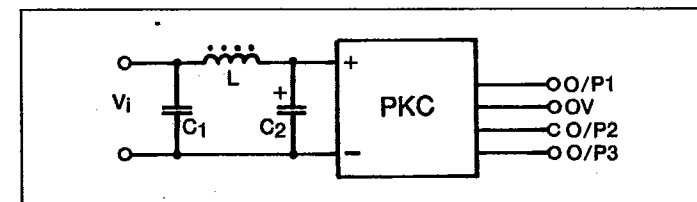


Fig. 16

## External RFI-filter

By adding a small LC-filter at the input, conducted RFI could be decreased in very sensible applications. With  $C_1 = 2\mu F$ ,  $C_2 = 22\mu F$  and  $L = 5\mu H$  the attenuation will be more than 40dB.  $C_1$  should be a high freq. met. paper or plastic with a voltage rating of 250V. The inductance L should be designed for a current of 1A using a ferrite core.

