

## High Performance Snap-in Electrolytic capacitor



- 105°C 2,000 hours assured
- Aluminum case, Fully insulated, PCB mounting Snap-in
- compact size , high capacitance per unit volume
- For frequency converters and switch mode power supplies in industrial and consumer electronics applications
- RoHS compliant



SPECIFICATIONS:								
Item	Characteristics							
Rated Voltage Range:	16V ~100VDC				160V~500VDC			
Operating Temperature	-40 ~+105°C				-25~+105°C			
Capacitance Tolerance :	+/-20%(M) ( at 20°C , at 120Hz)							
Leakage Current	$I=0.02CV(\mu A)$ or 3mA, whichever is smaller. where : I: max .leakage current (uA) C: Nominal capacitance (uF) V: Rated voltage (at 20°C, 5 minutes)							
Dissipation Factor (tgδ)  20°C , 100/120Hz	Rated Voltage(V)	16V	25V ~ 35V	50V ~ 63V	100V	160V ~ 400V	420V ~ 500V	
	tanδ(Max)	0.40	0.35	0.25	0.20	0.15	0.20	
Temperature characteristics at 120Hz	Rated Voltage (VDC)	16	25	35	50~63	100	160~420	420~500
	Z-40°C/Z+20°C	15	10	8	6	5	-	-
	Z-25°C/Z+20°C	4	3	3	2	2	4	8
Shelf Life	the following specifications shall be satisfied when the capacitors are restored to 20°C after theexposing them at 105°C for 1000 hours without voltage applied . The rated voltage shall be applied to the capacitors for a minimum of 30 minutes , at least 24 hours and not more than 48 hours before the measurements.							
	Capacitance Change	$\leq \pm 20\%$ of the initial value						
	Dissipation Factor tgδ	$\leq 200\%$ of the specified value						
	Leakage Current	$\leq$ the initial specified value						
Load Life	The following specifications shall be satisfied when the capacitors are restored to 20°C after the rated voltage is applied for 2000 hours at 105°C							
	Capacitance Change	$\leq \pm 20\%$ of the initial value						
	Dissipation Factor tgδ	$\leq 200\%$ of the specified value						
	Leakage Current	$\leq$ the specified value						
Others	GB/T5993-2003							

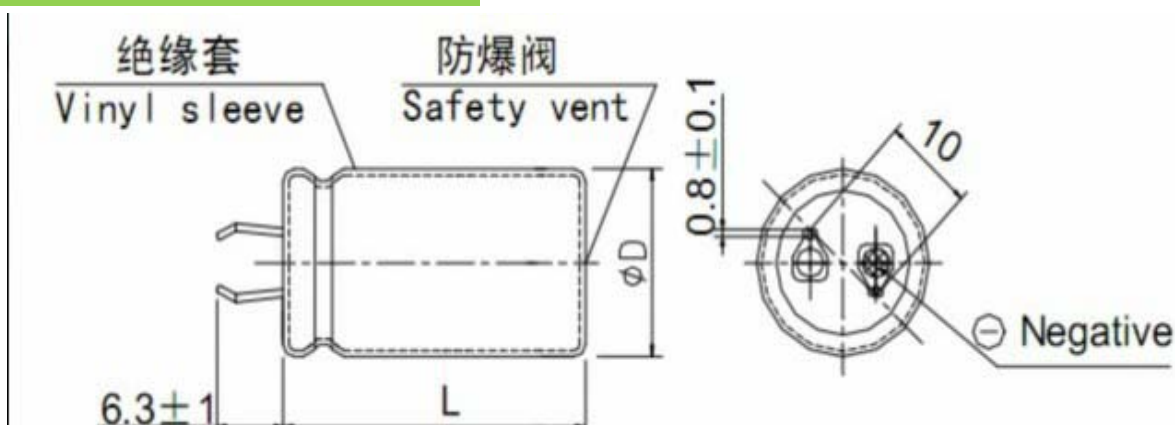
### Rated Ripple Current

when capacitors are operated in any other condition at 120Hz, the maximum ripple current must be multiplied figure shown in the table.

### Frequency Multiplying Factor

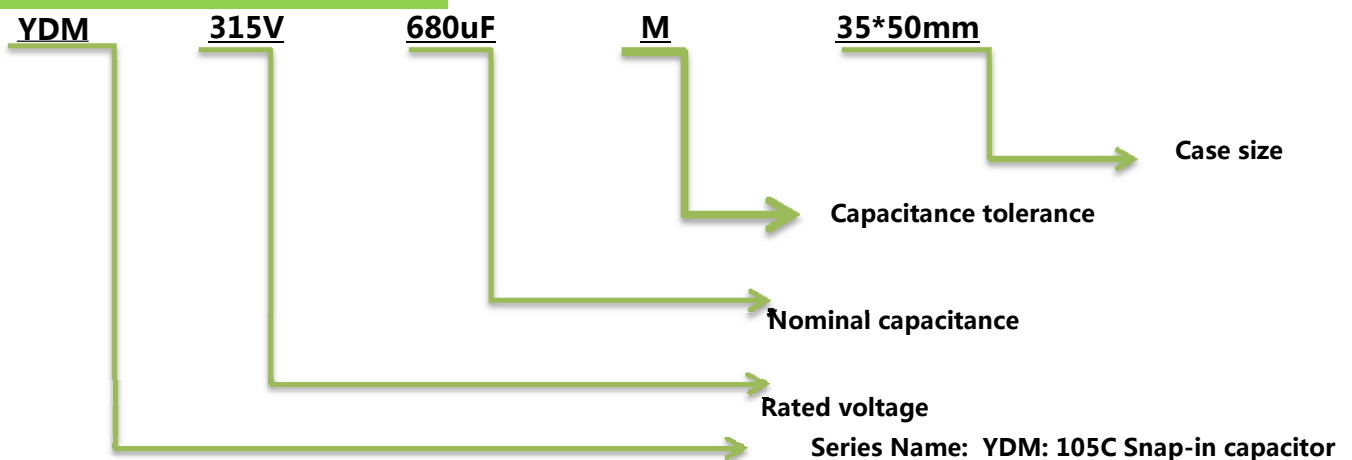
Reted Voltage (V <sub>DC</sub> )	ΦD(mm)	Frequency(Hz)				
		60	120	300	1K	10K~
16VDC~50VDC	Φ22mm~Φ35mm	0.95	1.00	1.03	1.05	1.08
63V.DC~100V.DC		0.92	1.00	1.07	1.13	1.19
160V.DC~250V.DC		0.81	1.00	1.17	1.32	1.45
315V.DC~400V.DC		0.77	1.00	1.16	1.30	1.41

### DIMENSIONS OF YDM Series :



D <sup>+1.0</sup> <sub>0</sub>	22	25	30	35
L <sup>+2.0</sup> <sub>0</sub>	30,35,40,45	40,45,50	40,45,50	45,50

### How To Order:



LARGE SIZED ALUMINUM ELECTROLYTIC CAPACITORS

RATINGS OF YDM Series:

V <sub>DC</sub> μF ΦD(mm)	16V.DC				25V.DC				35V.DC					
	22	25.4	30	35	22	25.4	30	35	22	25.4	30	35		
3,300uF									22×25 1.40					
3,900uF									22×30 1.57					
4,700uF					22×25 1.50				22×30 1.95	25.4×25 1.80				
5,600uF					22×25 1.63				22×35 1.95	25.4×30 1.96	30×25 1.99			
6,800uF	22×25				22×30 1.86	25.4×25 1.87			22×40 2.20	25.4×35 2.23	30×25 2.19			
8,200uF	22×30				22×35 2.11	25.4×30 2.12	30×25 2.15		22×50 2.55	25.4×40 2.53	30×30 2.53			
10,000uF	22×30 1.97	25.4×25			22×40 2.39	25.4×35 2.42	30×25 2.39			25.4×45 2.87	30×35 2.90	35×30 2.75		
12,000uF	22×35	25.4×30 2.24			22×45 2.69	25.4×40 2.74	30×30 2.70	35×25 2.74		25.4×50 3.24	30×40 3.23	35×30 3.23		
15,000uF	22×40	25.4×35 2.58				25.4×45 3.15	30×40 3.54	35×30 3.27			30×45 3.72	35×35 3.67		
18,000uF	22×45	25.4×40 2.92	30×30 2.88			25.4×50 3.54	30×45 4.04	35×30 3.50				35×40 4.37		
22,000uF		25.4×45 3.32	30×35 3.29					35×35 3.97				35×50 4.92		
27,000uF		25.4×50 3.78 4.81	30×40 3.77 3.77	35×30 3.45 3.45				35×45 4.73 4.73						
33,000uF			30×45 4.30	35×35 4.26				35×50 5.39						
39,000uF			30×50 4.81	35×40 4.79										
47,000uF				35×50 5.43	← Case Size ΦD×L(mm)									
					← Rated Ripple Current(Arm/105°C,120Hz)									

## LARGE SIZED ALUMINUM ELECTROLYTIC CAPACITORS

μF	V <sub>DC</sub> ΦD(mm)	50V.DC				63V.DC				100V.DC					
		22	25.4	30	35	22	25.4	30	35	22	25.4	30	35		
560uF										22×25 1.06					
820uF										22×30 1.32	25.4×25 1.33				
1,000uF										22×35 1.50	25.4×30 1.51				
12,00uF						22×25 1.19				22×40 1.69	25.4×35 1.71	30×25 1.68			
1,500uF						22×25 1.33				22×45 1.94	25.4×40 1.98	30×30 1.95			
18,00uF	22×25 1.33					22×30 1.51	25.4×25 1.52				25.4×45 2.23	30×35 2.26			
2,200uF	22×30 1.50					22×35 1.73	25.4×30 1.74				25.4×50 2.53	30×40 2.57	35×25 2.17		
2,700uF	22×30 1.69	25.4×25 1.70				22×40 1.97	25.4×35 1.99	30×25 1.91				30×45 2.88	35×30 2.50		
3,300uF	22×35 1.93	25.4×30 1.85				22×50 2.29	25.4×40 2.27	30×30 2.24				30×50 3.28	35×35 2.86		
3,900uF	22×40 2.16	25.4×35 2.18	30×25 2.15				25.4×45 2.54	30×35 2.56	35×25 2.56				35×40 3.27		
4,700uF	22×45 2.43	25.4×35 2.39	30×30 2.35	35×25 2.48			25.4×50 2.86	30×40 2.86	35×30 2.79				35×45 3.67		
5,600uF	22×50 2.75	25.4×40 2.70	30×35 2.76	35×25 2.70				30×45 3.22	35×35 3.19				35×50 3.80		
6,800uF		25.4×50 3.30	30×40 3.30	35×30 3.25				30×50 3.66	35×40 3.64						
8,200uF			30×45 3.60	35×35 3.56					35×45 3.90						
10,000uF			30×50 4.04	35×40 4.03					35×50 4.40						
12,000uF				35×45 4.56	<div style="display: flex; justify-content: space-between; align-items: center;"> <span>← Case Size ΦD×L(mm)</span> <span>← Rated Ripple Current(Arm/105°C,120Hz)</span> </div>										

## LARGE SIZED ALUMINUM ELECTROLYTIC CAPACITORS

V <sub>DC</sub> μF ΦD(mm)	160V.DC				200V.DC				250V.DC			
	22mm	25.4mm	30mm	35mm	22mm	25.4mm	30mm	35mm	22mm	25.4mm	30mm	35mm
100uF												
120 uF										25.4×20 0.48		
150uF					22×20 0.53					25.4×20 0.59		
180uF					22×20 0.62	25.4×20 0.64			22×25 0.78	25.4×20 0.75		
220uF		25.4×20 0.66			22×25 0.70	25.4×20 0.70			22×30 0.96	25.4×25 0.95	30×20 0.93	
270uF		25.4×20 0.80			22×25 0.87	25.4×20 0.83			22×30 1.11	25.4×25 1.10	30×20 1.10	
330uF	22×25 1.2	25.4×20 1.10			22×30 1.20	25.4×25 1.21	30×20 1.20		22×35 1.20	25.4×30 1.20	30×25 1.26	35×20 1.17
390uF	22×30 1.30	25.4×25 1.29	30×20 1.19		22×30 1.28	25.4×25 1.27	30×25 1.25		22×40 1.45	25.4×35 1.49	30×25 1.44	35×25 1.49
470uF	22×30 1.36	25.4×25 1.39	30×20 1.31	35×20 1.35	22×35 1.41	25.4×30 1.41	30×25 1.50	35×20 1.30	22×45 1.53	25.4×35 1.50	30×30 1.75	35×25 1.57
560uF	22×35 1.46	25.4×30 1.51	30×25 1.54	35×20 1.41	22×45 1.56	25.4×35 1.53	30×30 1.57	35×25 1.52	22×50 1.77	25.4×40 1.74	30×30 1.73	35×25 1.72
680uF	22×40 1.66	25.4×30 1.65	30×25 1.68	35×20 1.69	22×45 1.73	25.4×35 1.69	30×30 1.74	35×25 1.72		25.4×50 1.84	30×35 1.94	35×30 1.97
820uF	22×45 1.99	25.4×30 1.95	30×30 2.00	35×25 1.91		25.4×45 1.99	30×35 2.00	35×30 2.04		25.4×60 2.20	30×40 2.10	35×35 1.98
1,000uF	22×50 2.18	25.4×40 2.14	30×30 2.15	35×25 2.17		25.4×50 2.21	30×40 2.23	35×35 2.30			30×50 2.13	35×40 2.30
1,200uF		25.4×45 2.39	30×35 2.37	35×30 2.41		25.4×60 2.57	30×45 2.53	35×35 2.57			30×60 2.50	35×45 2.43
1,500uF		25.4×60 2.87	30×40 2.74	35×35 2.79			30×50 3.01	35×40 2.99				35×50 2.80
1,800uF			30×45 3.14	35×35 3.11			30×60 3.47	35×45 3.38				
2,200uF			30×60 3.76	35×45 3.66				35×60 3.60	← Case Size ΦD×L(mm)			
									← Rated Ripple Current(Arm/105°C,120Hz)			

## LARGE SIZED ALUMINUM ELECTROLYTIC CAPACITORS

μF	V <sub>DC</sub> ΦD(mm)	315V.DC				350V.DC				400V.DC			
		22	25.4	30	35	22	25.4	30	35	22	25.4	30	35
47uF										22×20 0.22			
68uF										22×25 0.51	25.4×20 0.46		
82uF		22×25 0.64				22×25 0.56				22×25 0.55	25.4×20 0.53		
100uF		22×30 0.68				22×25 0.67				22×30 0.67	25.4×25 0.67	30×20 0.60	
120uF		22×30 0.75	25.4×25 0.76			22×30 0.73	25.4×25 0.73			22×35 0.76	25.4×30 0.76	30×25 0.76	35×20 0.70
150uF		22×35 0.82	25.4×30 0.83			22×35 0.83	25.4×30 0.83	30×25 0.83		22×40 0.82	25.4×30 0.80	30×25 0.82	35×20 0.80
180uF		22×40 0.91	25.4×30 0.88	30×25 0.85		22×40 0.89	25.4×30 0.89	30×25 0.91		22×45 0.88	25.4×35 0.88	30×30 0.89	35×25 0.90
220uF		22×45 0.94	25.4×35 0.96	30×30 1.00		22×45 0.98	25.4×35 0.98	30×30 0.98	35×25 0.96	22×50 1.01	25.4×40 0.99	30×30 0.98	35×25 1.02
270uF			25.4×45 1.13	30×35 1.12	35×25 1.06	22×50 1.12	25.4×40 1.10	30×30 1.08	35×25 1.12		25.4×45 1.12	30×35 1.12	35×30 1.16
330uF			25.4×50 1.28	30×40 1.28	35×30 1.30		25.4×45 1.24	30×40 1.24	35×30 1.29		25.4×50 1.27	30×40 1.28	35×35 1.35
390uF				30×45 1.44	35×35 1.42		25.4×60 1.47	30×40 1.40	35×35 1.47		25.4×60 1.51	30×45 1.49	35×35 1.47
470uF				30×50 1.63	35×40 1.64		25.4×60 1.70	30×45 1.67	35×35 1.65			30×50 1.63	35×40 1.62
560uF					35×45 1.87			30×50 1.87	35×40 1.86			30×60 1.88	35×50 1.88
680uF					35×50 2.07			30×60 2.18	35×50 2.18				35×60 2.19
820uF									35×60 2.53	← Case Size ΦD×L(mm)			← Rated Ripple Current(Arm/105°C,120Hz)

## LARGE SIZED ALUMINUM ELECTROLYTIC CAPACITORS

μF	V <sub>DC</sub> ΦD(mm)	420V.DC				450V.DC				500V.DC			
		22	25.4	30	35	22	25.4	30	35	22	25.4	30	35
56uF						22×25 0.40				22×23 0.46	25.4×30 0.46	30×30 0.48	
68uF	22×25 0.50					22×30 0.50	25.4×25 0.50			22×40 0.45	25.4×35 0.53	30×30 0.55	
82uF	22×25 0.51	25.4×25 0.63				22×30 0.55	25.4×25 0.54			22×45 0.56	25.4×35 0.58	30×35 0.58	
100uF	22×30 0.58	25.4×30 0.69				22×35 0.62	25.4×30 0.62	30×25 0.64			25.4×40 0.65	30×35 0.66	
120uF	22×35 0.72	25.4×30 0.73	30×25 0.75			22×40 0.70	25.4×35 0.71	30×30 0.72	35×25 0.73		25.4×45 0.75	30×40 0.76	35×30 0.78
150uF	22×45 0.79	25.4×35 0.74	30×25 0.75	35×25 0.81		22×45 0.77	25.4×40 0.75	30×30 0.74	35×25 0.75			30×45 0.80	30×35 0.81
180uF	22×50 0.89	25.4×40 0.89	30×30 0.88	35×25 0.87			25.4×45 0.84	30×35 0.87	35×30 0.88			30×50 0.90	35×40 0.93
220uF		1.01	30×35 1.00	35×30 1.05			25.4×50 0.98	30×40 0.98	35×30 1.00			30×60 1.10	35×45 1.11
270uF			30×45 1.19	35×35 1.19			25.4×60 1.17	30×45 1.15	35×35 1.17				35×50 1.28
330uF			30×50 1.36	35×40 1.39				30×50 1.38	35×40 1.38				35×60 1.50
390uF				35×45 1.57				30×60 1.60	35×45 1.56				
470uF				35×50 1.73					35×50 1.72				
560uF									35×60 1.98	← Case Size ΦD×L(mm)			← Rated Ripple Current(Arm/105°C,120Hz)