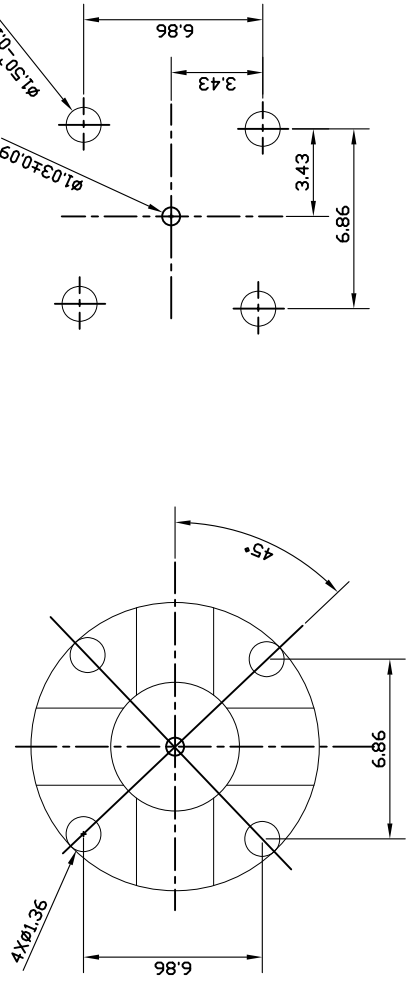
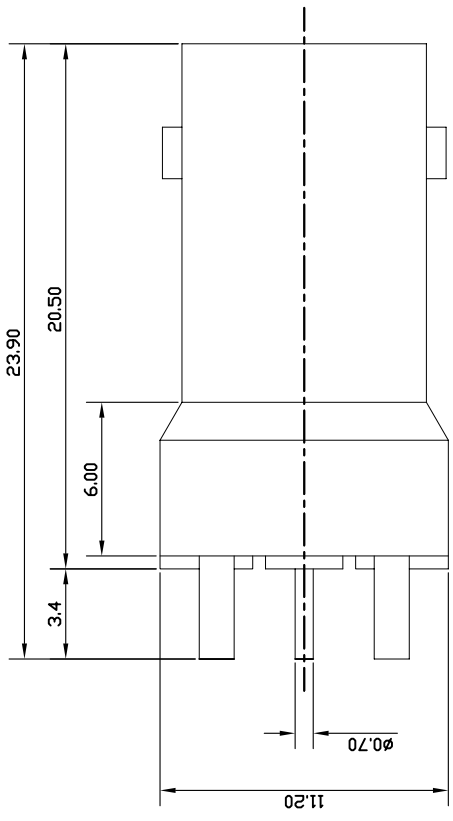


A		B		C		D		E		F		G	
Product NO. DOSIN-801-0056													
REV	DESCRIPTION		DWN	DATE	APPROVEN								
A	First issue		JJM	2012/11/02	John kine								



### Specifications

Impedance: 50 Ohms  
 Frequency Range: DC~3G  
 VSWR: 1.3MAX  
 Working Voltage: 500V rms @ sea level  
 Insulation Resistance: 5000 Ohms min  
 Temperature Range: -55°C TO +155°C  
 Relative Temperature: ≤95% (40°C ± 2°C)  
 Drawings products are in line with ROHS standards

NOTE:		2012/11/10		±0.15		0-6		Tolerance		DIN		D05IN-801-0056		REV	
DRAWN		Zelin. Zhang		±0.20		6-30		View		Name:		BNC CONNECTOR DNN		B	
CHECKED				±0.5		30-120		UNIT		SIZE		Product NO.		A	
APPROVALS		12/04/2012		Angular ±2°		Angular		SCALE		DateTime		CAD FILE		SHEET: 1 OF 1	
John Kine				1:1						2012/11/02		D/company_drawings/BD			
C		INSULATOR		PIM		NONE		1		6		G			
B		CONTACT PLATING		BRASS		GOLD		1		5		F			
A		BODY		ZiNC		NICKEL		1		4		E			
NO		DESCRIPTION		MATERIAL		FINISHED		QTY		3		D			

**DOSIN**  
 Dosing Industrial(H.K)Co.Ltd  
 东莞市德索五金电子制品有限公司  
 Dosin Hardware Electronics Co.,Ltd  
 E-mail: dosin2005@163.com  
 dosin2005@dosin-china.com  
 Web: http://www.dosinconn.com  
 TEL: (0086)769-81153906  
 FAX: (0086)769-81875836