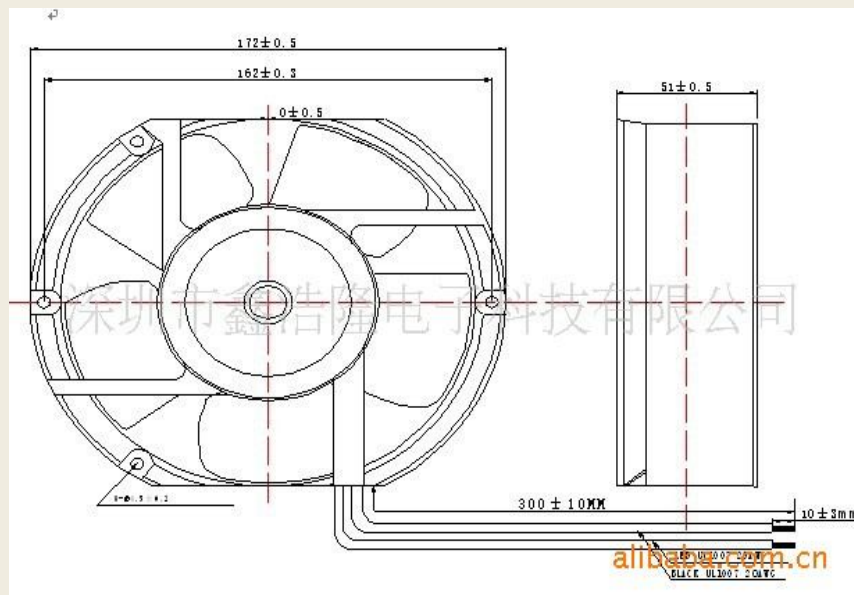
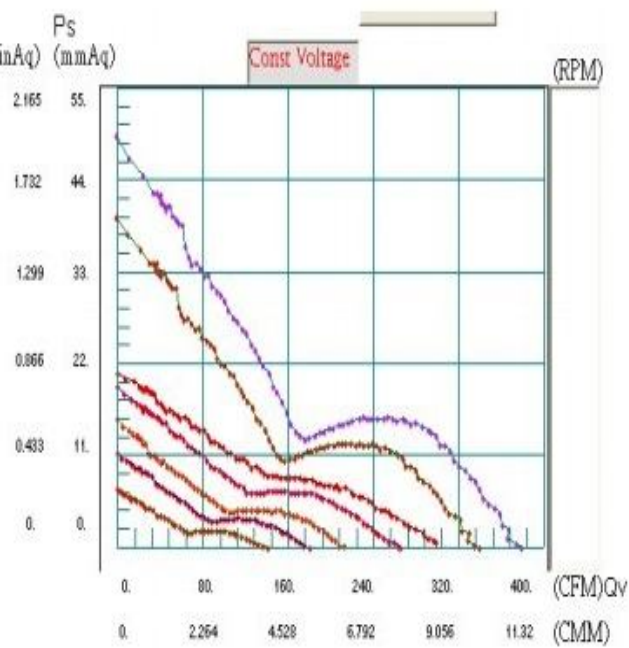


深圳市鑫浩隆电子科技有限公司为全球电器散热提供更好更周到的解决方案!



General specification:

Frame and Impeller:	Thermal Plastic, UL 94V-0
Lead wires:	ULType or Equivalent( + ):Red( - ):Black
Operation temperature :	-10°C~70°C、35%~85%RH
Storage temperature :	-40°C~80°C、35%~85%RH
Motor Protection:	
	Reverse Polarity Protection; Automatic Restart.



MODEL	Rated	Operating	Rated	Rated	Speed	Maximum		Maximum		Noise
	Voltage	Voltage	Current	Input		Air Flow		Air Pressure		
PART NO	VDC	VDC	Amp	Watt	R.P.M.	m3/min	CFM	mmH2O	IN H2O	dB-A
XHD17251B12M	12	7.5to13.2	1.2	14.4	2500	6.5	270	13.5	0.078	52
XHD17251B24M	24	13.2to27.5	0.8	19.2						
XHD17251B48M	48	32.5to52.5	0.5	24						
XHD17251B12H	12	7.5to13.2	2.2	26.4	3000	7.55	350	17.75	0.095	58
XHD17251B24H	24	13.2to27.5	1.2	28.8						
XHD17251B48H	48	32.5to52.5	0.7	33.6						