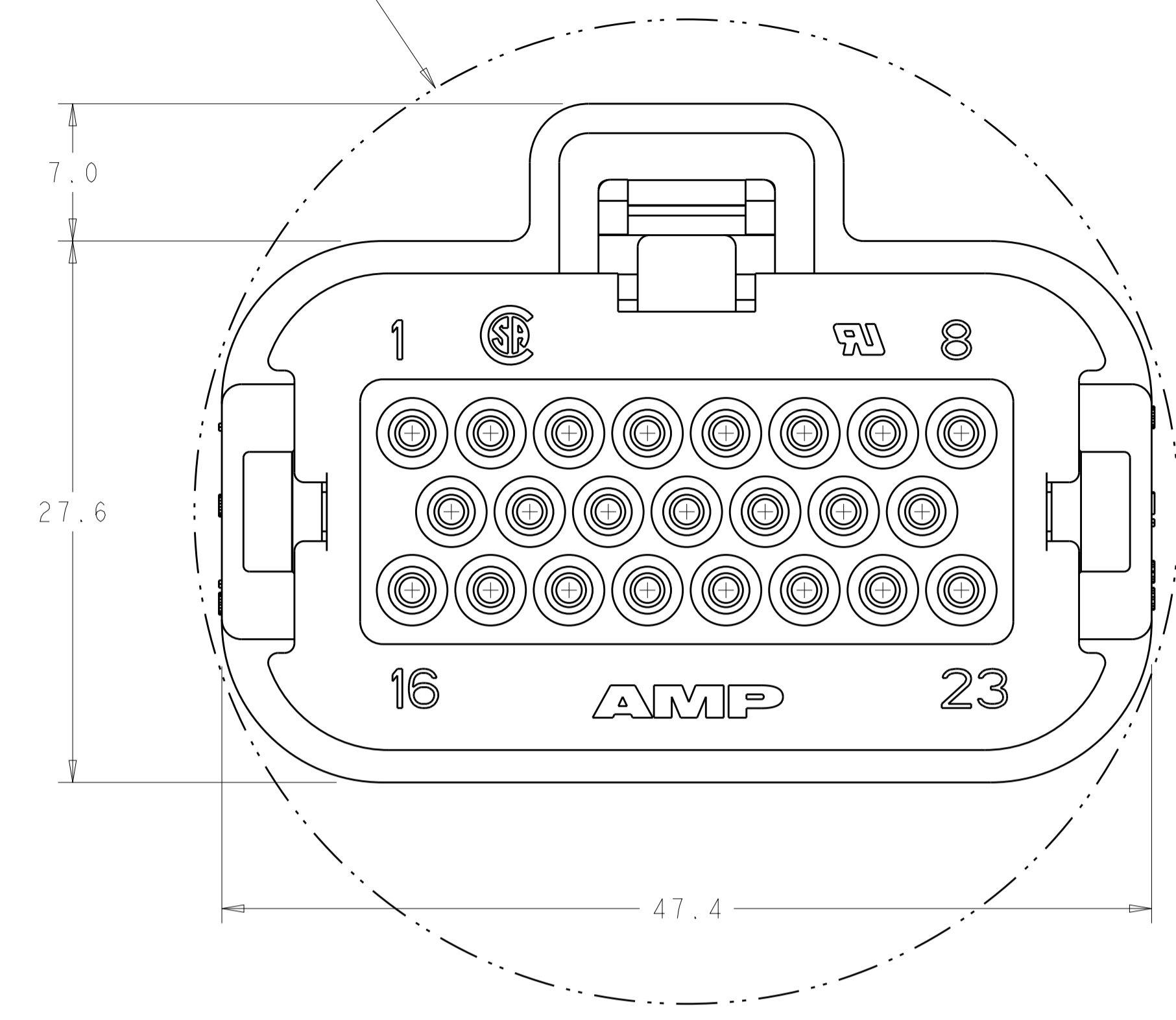
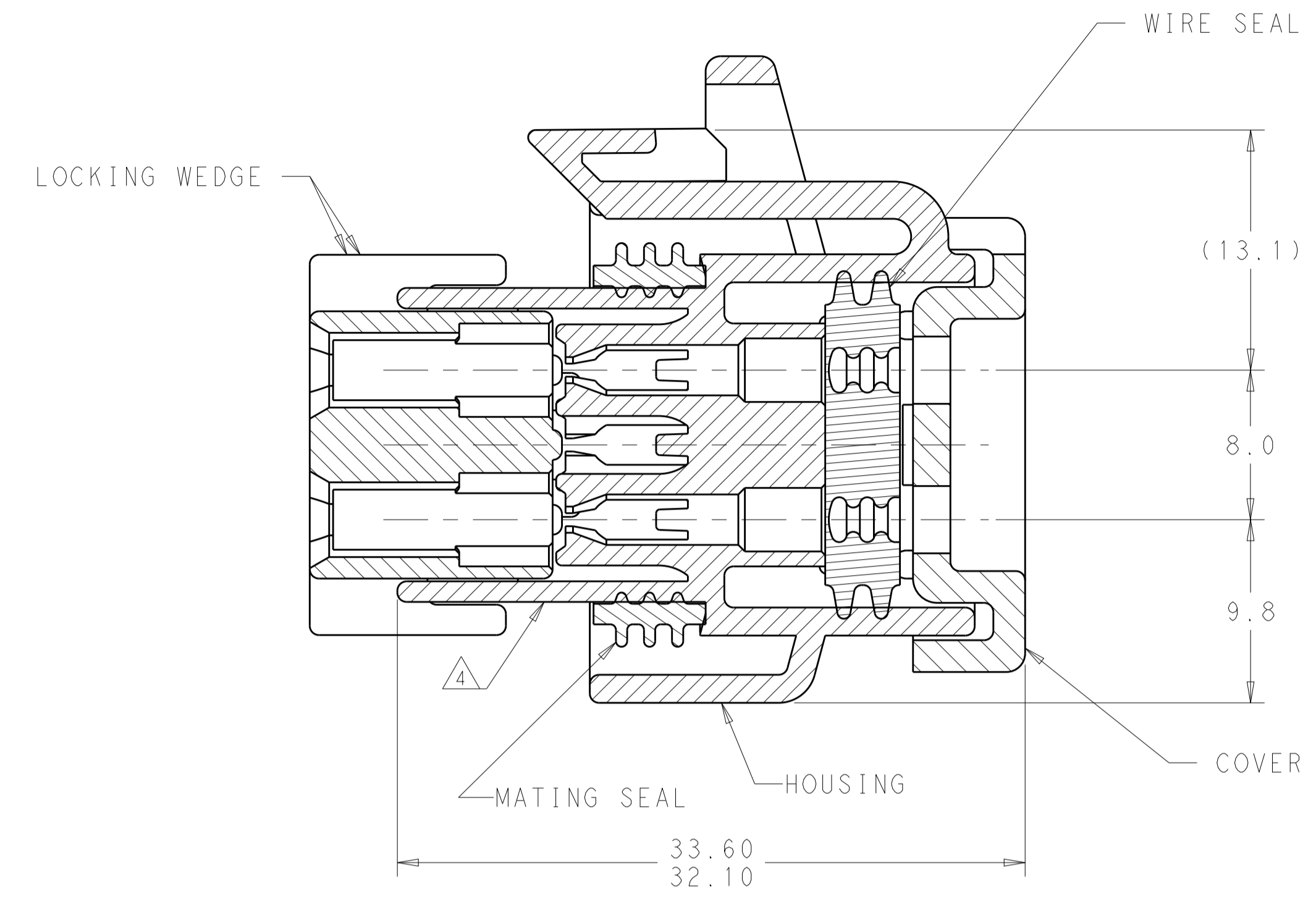
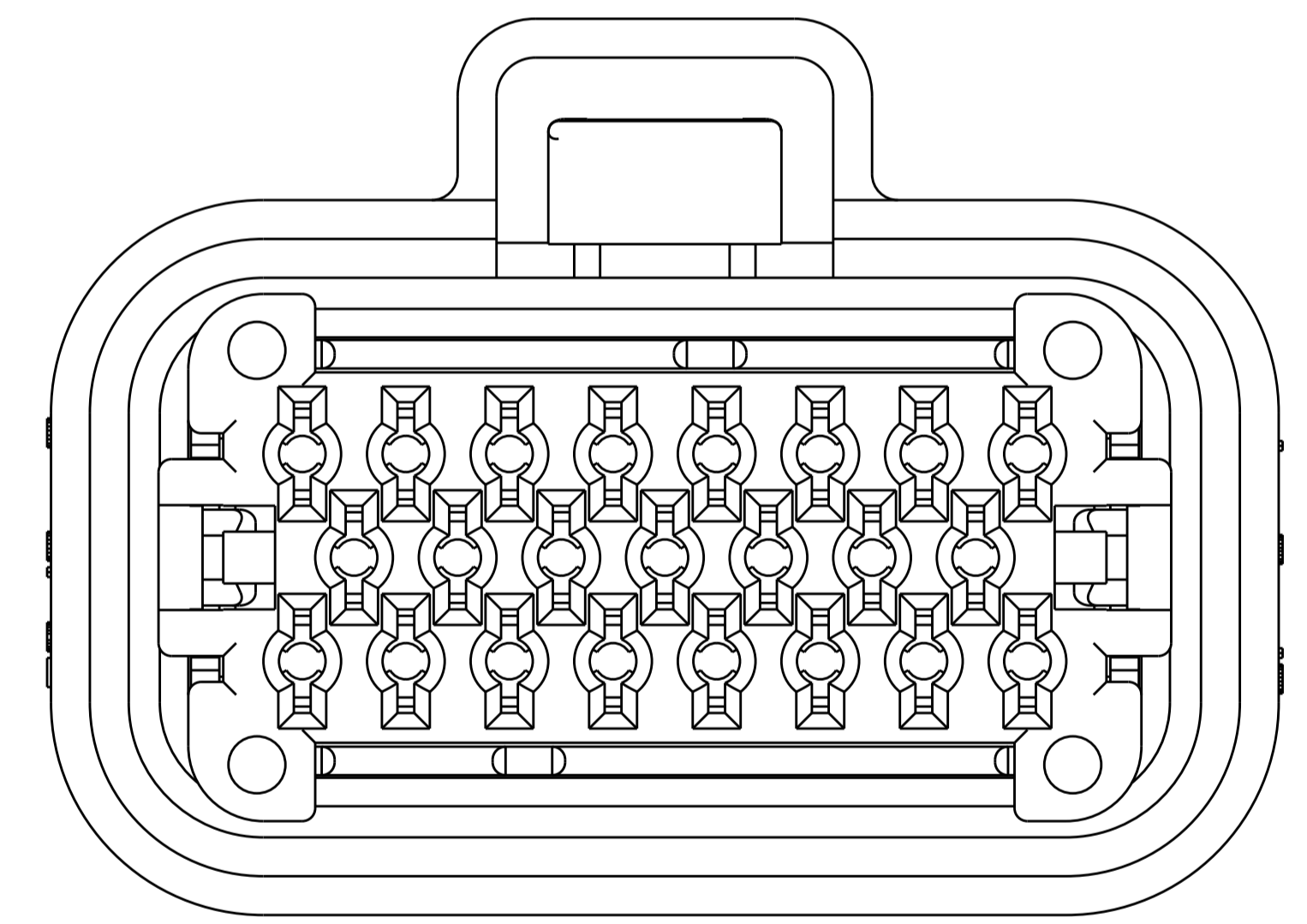


LOC	DIST	REVISIONS					
		P	LTN	DESCRIPTION	DATE	DWN	APVD
HK	00	K1		REVISED PER ECO-11-005030	30APR2011	RK	HMR
		L		REVISED PER ECO-12-007864	24APR2012	DLD	DCS
		M		REVISED PER ECO-13-001003	17JAN2013	DLD	DCS

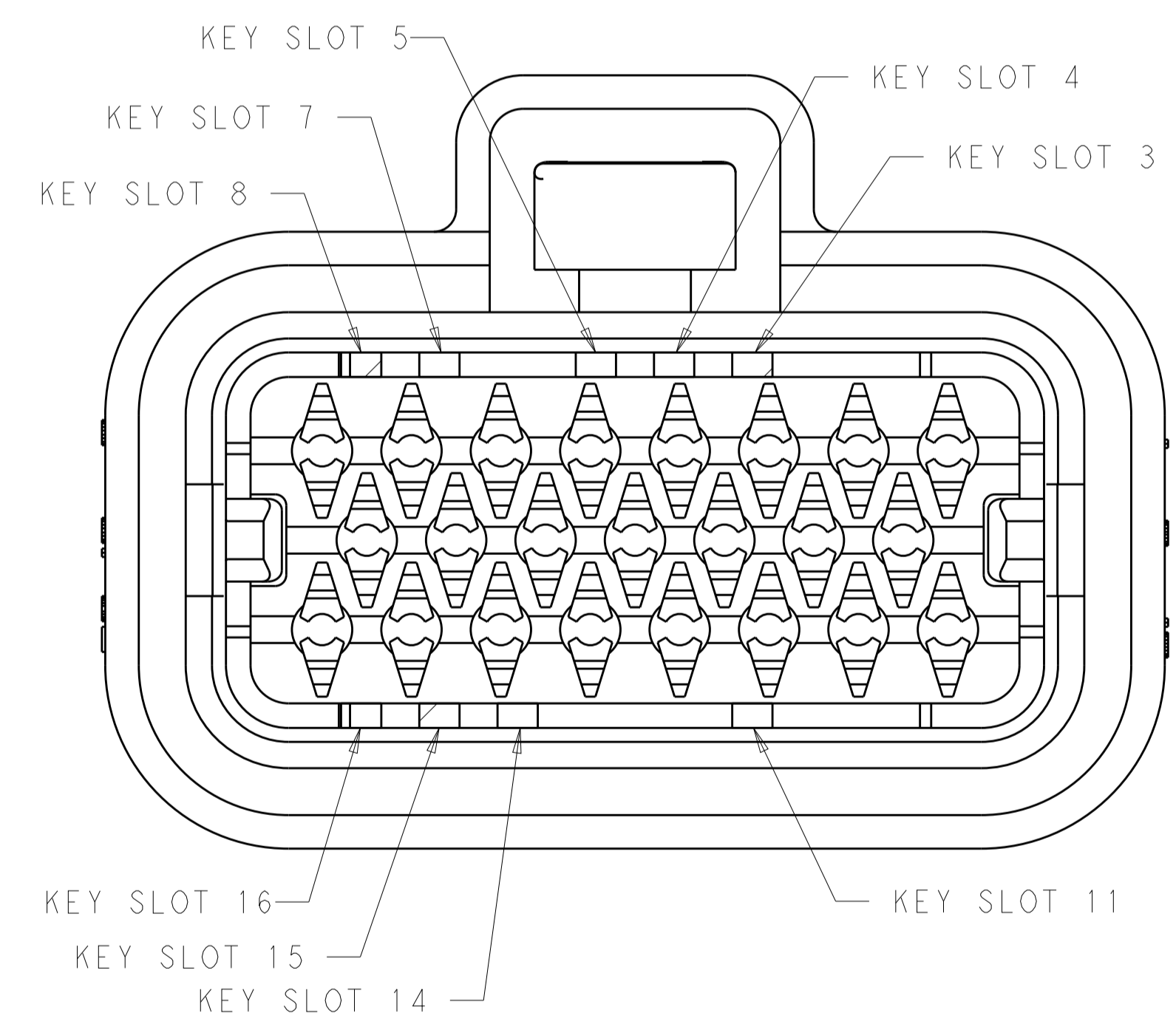
ASSEMBLY WILL PASS THRU Ø50 OPENING



- △ HOUSING COLORS ARE MECHANICALLY KEYED TO MATE WITH IDENTICALLY COLORED HEADER ASSEMBLIES.
- 2. PLUG MATES TO THE FOLLOWING:  
RIGHT ANGLE HEADER - 770669, 776087  
VERTICAL HEADER - 776200, 7762228
- 3. PLUG USES REELED TERMINAL 770520 OR LOOSE PIECE TERMINAL 770854.
- △ DATE CODE ON THIS SURFACE. USES 5 DIGIT CODE:  
FIRST 2 DIGITS = YEAR, SECOND 2 DIGITS = WEEK, LAST DIGIT = DAY.



BOTTOM VIEW WITH LOCKING WEDGE



KEY SLOT LOCATIONS

3, 8 & 16	770680-5
7 & 15	770680-4
4 & 14	770680-3
5 & 11	770680-2
4 & 14	770680-1
KEY SLOT LOCATION (SEE VIEW ABOVE)	PART NUMBER

GLASS FILLED PBT, BLACK	SILICONE RUBBER, RED	SILICONE RUBBER, RED	PBT, RED	PBT, BLUE	NONE	770680-5
				PBT, GRAY	NONE	770680-4
				PBT, BLACK	3, 7, 16, 17, 21, 22	770680-3
				PBT, NATURAL	NONE	770680-2
				PBT, BLACK	NONE	770680-1
COVER	WIRE SEAL	MATING SEAL	LOCKING WEDGE	△ HOUSING	CIRCUITS MOLDED CLOSED	PART NUMBER
THIS DRAWING IS A CONTROLLED DOCUMENT.				DWN: R. VESTAL 08SEP2009 CHK: D. STRAUSSER 08SEP2009 APVD: D. STRAUSSER 08SEP2009 NAME:		
DIMENSIONS: mm		TOLERANCES UNLESS OTHERWISE SPECIFIED:		<b>STE</b> TE Connectivity PLUG ASSEMBLY, 23 POSITION, AMPSEAL		
0 PLC ± 1 PLC ±0.2 2 PLC ± 3 PLC ± 4 PLC ± ANGLES ±		FINISH: SEE TABLE		PRODUCT SPEC: 108-1329 APPLICATION SPEC: 114-16016 WEIGHT: - CUSTOMER DRAWING		
MATERIAL: SEE TABLE		FINISH: SEE TABLE		SIZE: A1 CAGE CODE: 100779 DRAWING NO: C=770680 SCALE: 4:1 SHEET 1 OF 1 REV M		