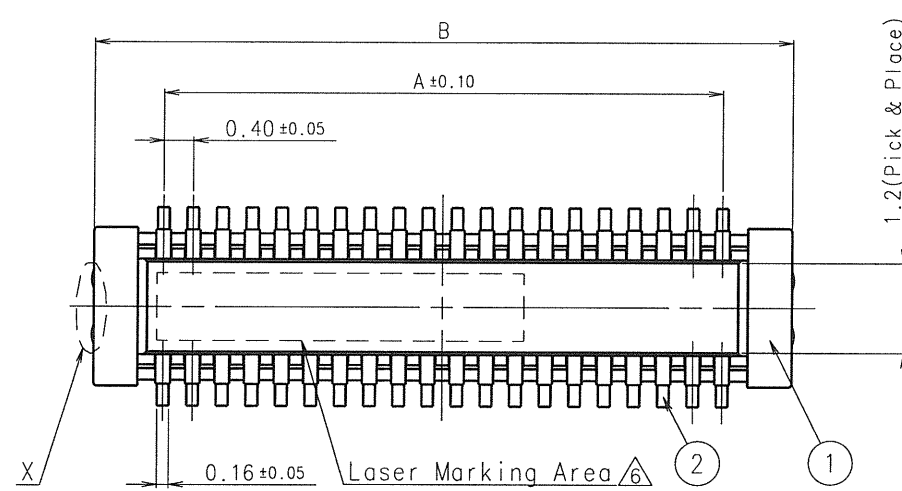
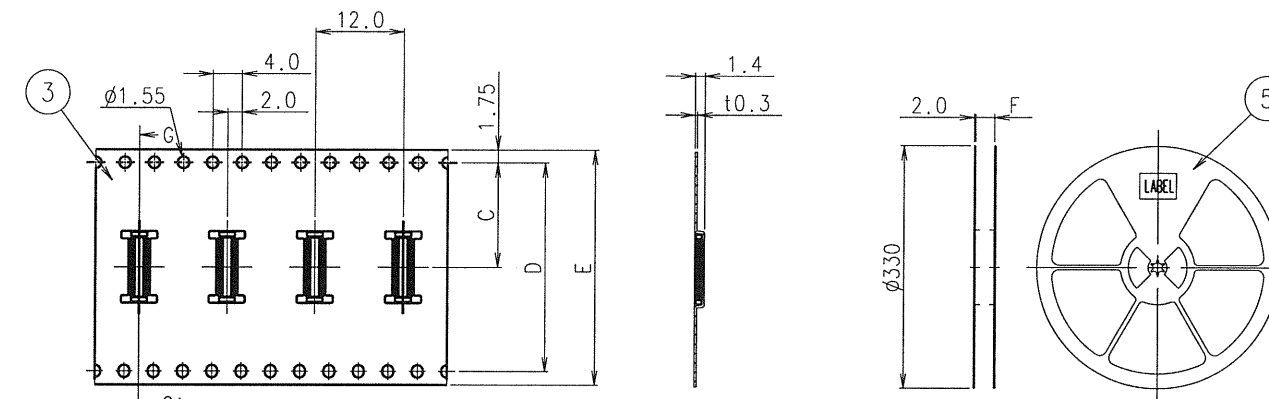
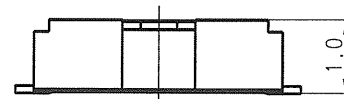


REV. NO	DATE	DCN. NO	REMARKS	DES'D	CHE'D	APP'D
6	Apr.16.2008	08-044	Added Laser Marking Area	S.J.Oh	K.C.Park	I.D.Song
7	Sep.22.2008	08-100	Changed CI	S.J.Oh	K.C.Park	I.D.Song
8	Feb.11.2009	09-019	Added Item		J.S.Sohn	



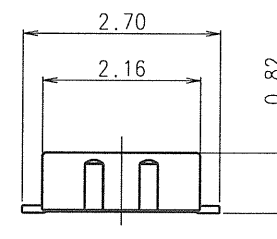
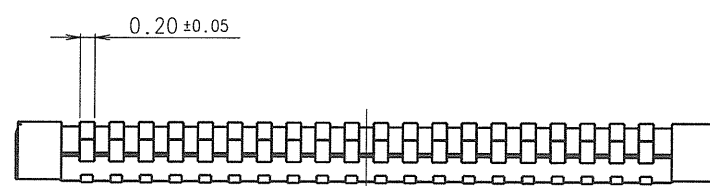
Mating(Height=1.0mm)



Carrier Tape(S=1/1)

SEC. G-G'

Bobbin(S=1/10)

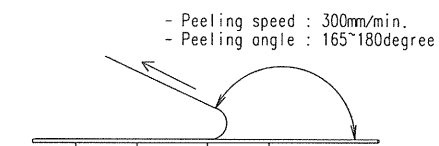
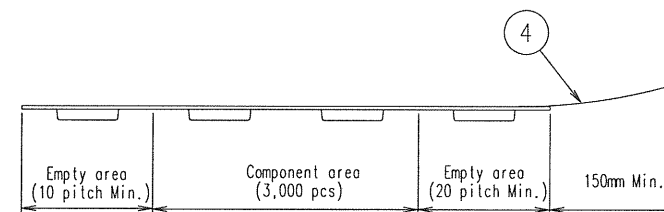


[NOTE] 1. Ordering Information

GB042 - ** P - H10 - E3000
 No of position Plug 3,000pcs/Plastic reel

2. Packing Specification

3. Peel strength : 10~70g



4. Co-Planarity of contacts is 0.1mm Max.

5. Feature 'X' is applied to 20~34P.

Recommended PCB Lay-Out

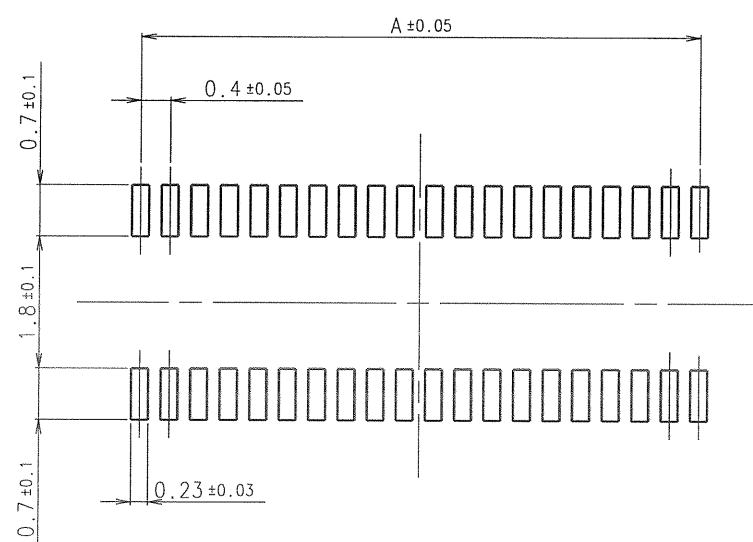


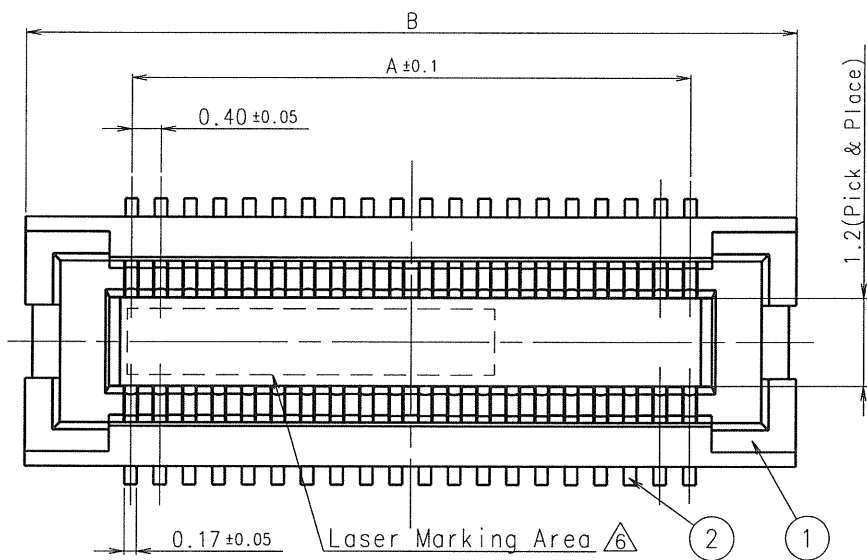
Table-1

No. of Positions	A	B	C	D	E	F
10	1.6	3.5	7.5	—	16.0	18.0
20	3.6	5.5				
24	4.4	6.3				
28	5.2	7.1	11.5	—	24.0	26.0
30	5.6	7.5				
34	6.4	8.3				
40	7.6	9.5				
44	8.4	10.3				
50	9.6	11.5	14.2	28.4	32.0	34.0
54	10.4	12.3				
60	11.6	13.5				
64	12.4	14.3				
70	13.6	15.5	14.2	28.4	32.0	34.0
80	15.6	17.5				

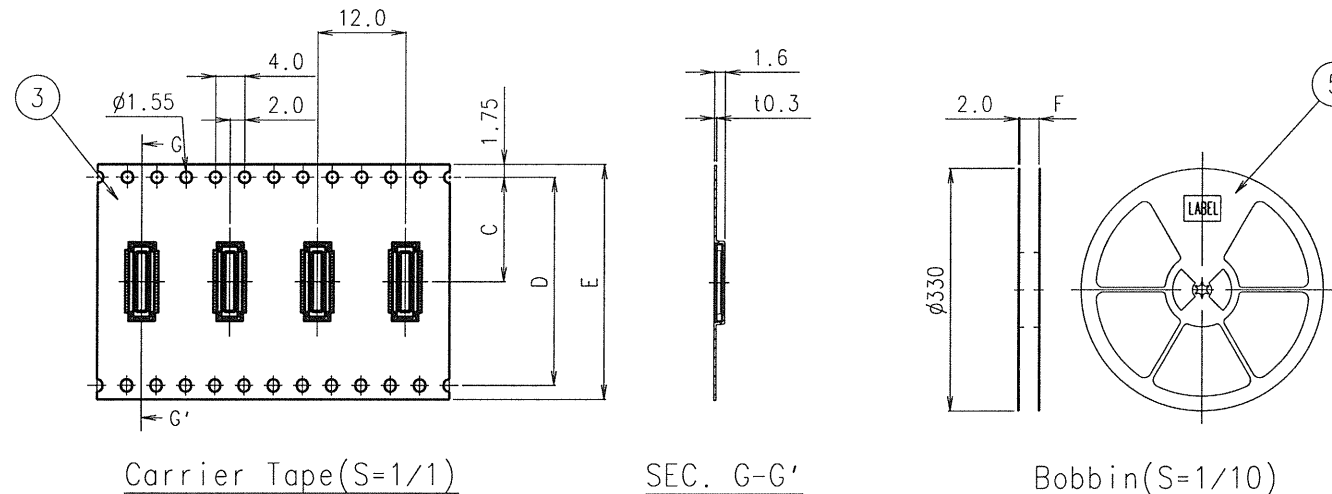
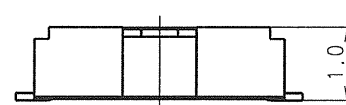
ITEM	DESCRIPTION	Q'TY	MATERIAL	FINISH	REMARKS
5	Bobbin	1	Plastic	-	-
4	Cover Tape	1	Polyester or Polystyrene	-	-
3	Carrier Tape	1	Polyester or Polystyrene	-	-
2	Plug Contact	n	Copper Alloy	Au over Ni	-
1	Plug Insulator	1	Engineering Plastic	-	UL94V-0

UNIT = mm	REFERENCE DOCUMENT LSM(25)-K-A5118	DATE Apr.14.2005	SCALE 10/1	SIZE A3	 555, Hoge-Dong, Anyang-Si Kyungki-Do. 430-080. KOREA
GENERAL TOLERANCES:	MATERIAL	DESIGNED K.C.PARK	TITLE GB042 Plug (GB042-**-P-H10)		
DIMENSION . X ± 0.2 . XX ± 0.1	TREATMENT	CHECKED	SERIES GB042		
ANGLES X. X.X	FINISH	APPROVED D.H.KIM	SHEET 1 / 1	DWG. NO GUS511801	

REV. NO	DATE	DCN. NO	REMARKS	DES'D	CHE'D	APP'D
6	Apr.16.2008	08-044	Added Laser Marking Area	S.J.Oh	K.C.PARK	I.D.Song
7	Sep.22.2008	08-100	Changed CI	S.J.Oh	K.C.PARK	I.D.Song
8	Feb.11.2009	09-019	Added Item		J.S.Soh	



Mating (Height=1.0mm)



Carrier Tape(S=1/1)

SEC. G-G'

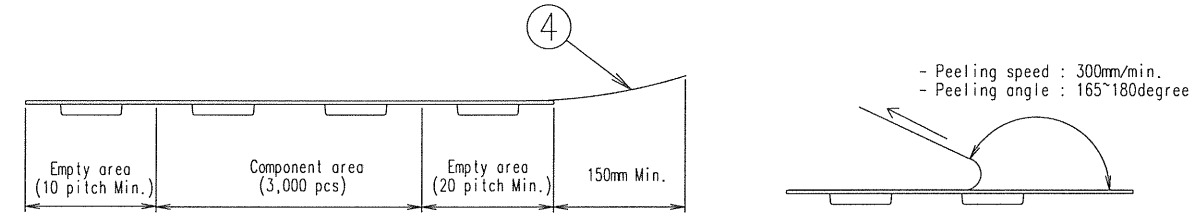
Bobbin(S=1/10)

[NOTE] 1. Ordering Information

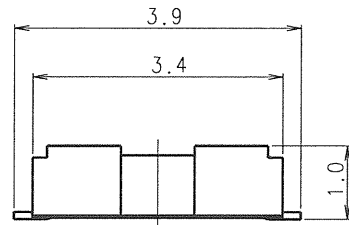
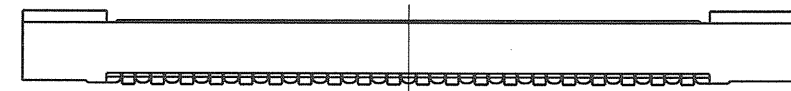
GB042 - ** S - H10 - E3000
 No of position Receptacle 3,000pcs/Plastic reel

2. Packing Specification

3. Peel strength : 10~70g



4. Co-Planarity of contacts is 0.1mm Max.



Recommended PCB Lay-Out

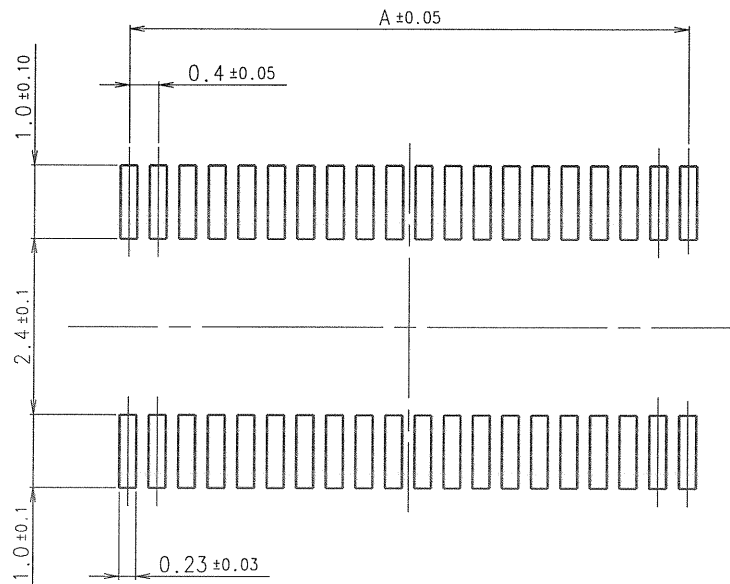


Table-1

No. of Positions	A	B	C	D	E	F
10	1.6	4.5	7.5	—	16.0	18.0
20	3.6	6.5				
24	4.4	7.3				
28	5.2	8.1	11.5	—	24.0	26.0
30	5.6	8.5				
34	6.4	9.3				
40	7.6	10.5				
44	8.4	11.3	14.2	28.4	32.0	34.0
50	9.6	12.5				
54	10.4	13.3				
60	11.6	14.5				
64	12.4	15.3	15.6	18.5		
70	13.6	16.5				
80	15.6	18.5				

ITEM	DESCRIPTION	Q'TY	MATERIAL	FINISH	REMARKS
5	Bobbin	1	Plastic	-	-
4	Cover Tape	1	Polyester or Polystyrene	-	-
3	Carrier Tape	1	Polyester or Polystyrene	-	-
2	Recep. Contact	n	Copper Alloy	Au over Ni	-
1	Recep. Insulator	1	Engineering Plastic	-	UL94V-0

UNIT = mm	REFERENCE DOCUMENT LSM(25)-K-A5118	DATE Mar.31.2005	SCALE 10/1	SIZE A3	 555, Hoge-Dong, Anyang-Si Kyungki-Do, 430-080, KOREA DWG. NO GUS511802
GENERAL TOLERANCES:	MATERIAL	DESIGNED K.C.PARK	TITLE GB042 Receptacle (GB042-**S-H10)		
DIMENSION . X ± 0.2 . XX ± 0.1	TREATMENT	CHECKED	SERIES GB042		
ANGLES X. X.X	FINISH	APPROVED D.H.KIM	SHEET 1 / 1		