

Reference No. :

Customer:

承 認 書**APPROVAL SHEET**

零件名稱：積層陶瓷電容

Description : Multi-Layer Chip Capacitor

DATE : 2013/02/01

宸遠科技料號 CCT Part Numbers	客戶料號 Customer's Part Numbers

宸 遠 科 技 ChipCera Technology Co., LTD			客 戶 承 認 Customer's Approval
製表 Prepared by	審查 Checked by	核准 Approved by	
Bella		G. Chan	
QA Engineer	QA Manager	Vice G.M.	

深圳市宸遠電子科技有限公司

ChipCera Technology CO., LTD

<http://www.chipcera.com.cn>

深圳寶安西鄉寶源第二工業區 4 棟

TEL : +86-755-29120592

FAX : +86-755-29120593

使用注意事項

1. 禁止將本公司產品用於任何軍事用途以及軍事武器的開發、生產、使用等。
2. 如將本目錄內的產品用於可能對人身與社會安全造成重大損失的用途時，請與我司工程師聯繫。
3. 產品若有變更與途中停產恕不另行通知，請以實際產品為準。請在訂購之前向我司銷售代表查詢。
4. 請仔細閱讀目錄中的產品規格，以及有關保管、使用環境、規格上的注意事項、裝配時的注意事項、使用時的注意事項的! 以免造成不必要的損失等。
5. 本目錄中的產品內容未經允許不得擅自轉載與複製。

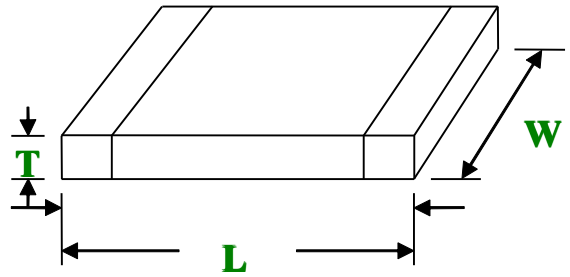
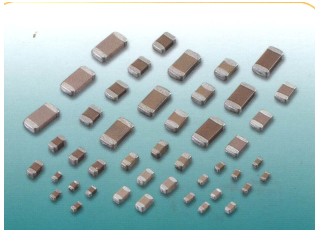
1 Part Number Information

How to order

CC	0805	NP0	8	J	102	R	L
Type CC = Chip Capacitor	Size 0402 0603 0805 1206 1210 1808 1812 2220 1825 2225	Dielectric NP0 X7R Y5V X5R X7E X6S	Dielectric VoltageVDC 1=6.3VDC 2 = 10VDC 3 = 16VDC 4 = 25VDC L=35VDC 5 = 50VDC E=63VDC 6 = 100VDC 7 = 200VDC 8 =250VDC I=400VDC 9 = 500VDC H=630VDC P= 1 KVDC R= 2 KVDC T= 3 KVDC W=5KVDC	Tolerance A=±0.05pF B=±0.10pF C=±0.25pF D=±0.50pF F=±1.0% G=±2.0% J=±5.0% K=±10% M=±20% Z=-20~+80%	Capacitance 1st two digits are significant; third digit denotes number of zeros, And A is in place of decimal point. example : 47A=4.7pF 102=10*10 ² pF =1000pF =1nF	Packing Quantity B : Bulk P : 4K/reel 3K/reel R { 2K/reel 1K/reel	RoHS compliance

Tolerance	Capacitance for dielectric				
	NP0		X7R	X5R	Y5V
A=±0.05pF B=±0.10pF C=±0.25pF D=±0.50pF F=±1.0% G=±2.0% J=±5.0% K=±10% M=±20%	10pF and below	More than 10pF	100pF~1 μF (101~105)	1uf~100uf (105~107)	10nF~10uF (103~106)
	B,C,D	G,J	J,K,M	K,M	M,Z

2 Dimension Specification



Product dimensions in mm.

Case size	Length(L)	Width(W)	Thickness(T)	Symbol
0402	1.0±0.05	0.50±0.05	0.50±0.05	A
0603	1.6±0.10	0.80±0.10	0.80±0.10	C
0805	2.0±0.10	1.25±0.10	0.60±0.10	B
			0.80±0.10	C
			1.25±0.20	E
1206	3.20±0.15	1.60±0.15	0.80±0.10	C
			1.25±0.20	E
			1.60±0.20	D
1210	3.2±0.15	2.50±0.20	1.25±0.20	E
			1.60±0.20	D
			2.00±0.20	K
			2.40±0.20	G
1808	4.60±0.30	2.00±0.30	1.25±0.20	E
			1.60±0.20	D
			2.00±0.20	K
1812	4.60±0.30	3.20±0.30	1.25±0.20	E
			1.60±0.20	D
			2.00±0.20	K
			2.40±0.20	G
			2.80±0.20	H
2220	5.70±0.40	5.00±0.40	1.25±0.20	E
			1.60±0.20	G
			2.00±0.20	K
			2.40±0.20	G
			2.80±0.20	H
2225	5.70±0.30	6.35±0.40	1.25±0.20	E
			1.60±0.20	D
			2.00±0.20	K
			2.80±0.20	H



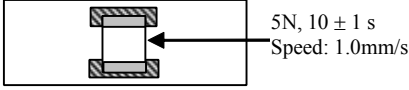
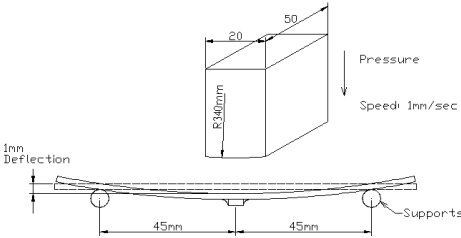
X7R/X5R Series

DIELECTRIC		X7R/X5R																															
SIZE		0402		0603			0805					1206					1210					1812					2220						
CAP	CODE	6.3V	10V	10V	25V	50V	6.3V	10V	16V	25V	50V	6.3V	10V	16V	25V	50V	6.3V	16V	25V	35V	50V	6.3V	10V	16V	25V	35V	50V	6.3V	10V	16V	25V	50V	
1uF	105	A		C	C	E		C	E	E	E			D	D	D					K						K						K
1.5uF	155							C	E	E	E		E	D	D	D					K						K						K
2.2uF	225			C	C	C	C	C	E	E	E		E	D	D	D			K	K	K			D	K	K	K			D	D	K	
3.3uF	335						C	C	E	E	E		E	D	D	D			K	K	K			K	K	K	K			K	K	K	
4.7uF	475			C	C		C	C	E	E	E	E	E	D	D	D		K	K	K	K		K	K	K	K	G		K	K	K	G	
10uF	106			C			C	C	E	E	E	E	E	D	D	D		K	K	K	K		K	K	K	K	G		K	K	K	G	
22uF	226			C			C	C				E	E	D	D		K	G	G	G		G	G	G	G	G	G	G	G	G	G	G	
47uF	476						C					E	E	D			K	G				G	G	G	G		G	G	G	G	G		
100uF	107											E					K					G					G		G				
220uF	227																K																

Y5V Series

DIELECTRIC		Y5V																			
SIZE		0402			0603				0805				1206				1210				
CAP	CODE	10V	16V	25V	10V	16V	25V	50V	10V	16V	25V	50V	10V	16V	25V	50V	10V	16V	25V	50V	
10nF	103	A	A	A	C	C	C	C				C	C			C	C	C	E	E	E
15nF	153	A	A	A	C	C	C	C				C	C			C	C	C	E	E	E
22nF	223	A	A	A	C	C	C	C				C	C			C	C	C	E	E	E
33nF	333	A	A		C	C	C	C				C	C			C	C	C	E	E	E
47nF	473	A	A		C	C	C	C				C	C			C	C	C	E	E	E
68nF	683	A	A		C	C	C	C				C	C			C	C	C	E	E	E
100nF	104	A	A		C	C	C	C				C	C			C	C	C	E	E	E
150nF	154	A			C	C	C					C	C			E	E	E	E	E	E
180nF	184	A			C	C	C					C	C			E	E	E	E	E	E
220nF	224	A			C	C	C					C	C			E	E	E	E	E	D
330nF	334	A			C	C	C			C	C	E			E	E	E	E	E	D	D
470nF	474	A			C	C				C	E	E			E	E	E	E	D	D	D
680nF	684				C	C			E	C	E	E			E	E	E	E	D	D	D
820nF	824				C	C			E	C	E	E			E	E			D	D	D
1uF	105				C	C			E	E	E	E			D	E			D	D	D
1.5uF	155								E	E	E				D	E			D	D	D
2.2uF	225								E	E	E			E	D	E			D	D	D
3.3uF	335								E	E	E			E	D	E			D	D	D
4.7uF	475								E	E	E			E	D	E			D	D	D
10uF	106								D	D	D			E	D				D	D	D
22uF	226								D					D	D				D	D	
47uF	476								D					D					D		

4 Specification and Test Method

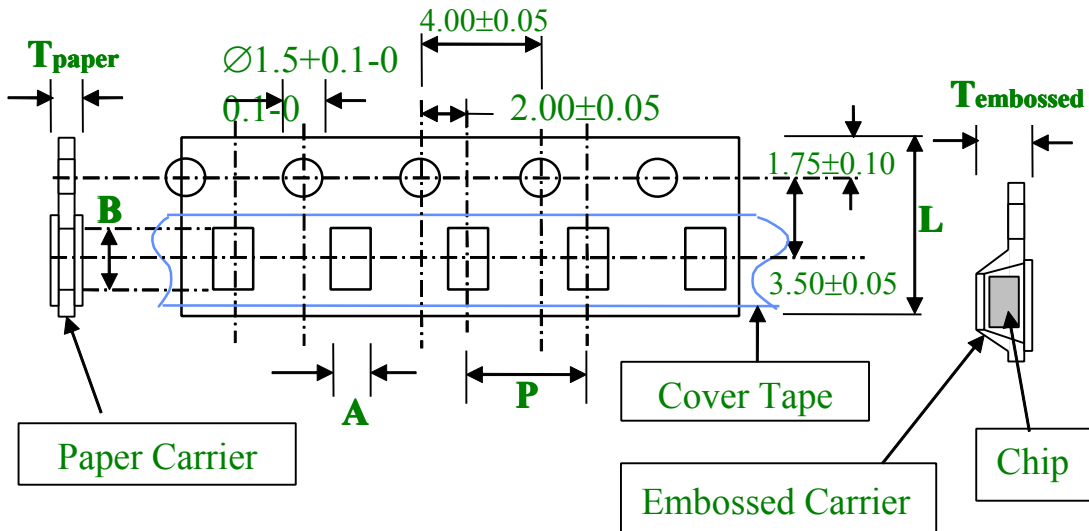
No	Test item	Conditions	Requirements																																
1	Capacitance		<p>Within specified tolerance</p> <p>NP0 :</p> <p>More than 30 pF: $Q \geq 1000$ ($DF \leq 0.1\%$)</p> <p>Less than 30 pF: $Q \geq 400 + 20 C$ ($Q = 1/DF$)</p> <p>X7R/X5R :</p> <table border="1" style="width: 100%; border-collapse: collapse;"> <thead> <tr> <th>Rated volt.</th> <th>DF \leq</th> <th colspan="2">Exception of DF \leq</th> </tr> </thead> <tbody> <tr> <td>$\geq 50V$</td> <td>2.5%</td> <td>3%</td> <td>0603 $\geq 47nF$</td> </tr> <tr> <td>25V</td> <td>3.5%</td> <td>---</td> <td>---</td> </tr> <tr> <td>16V</td> <td>3.5%</td> <td>5%</td> <td>0402 $\geq 33nF$ 0603 $\geq 150nF$ 0805 $\geq 680nF$</td> </tr> <tr> <td>10V</td> <td>5.0%</td> <td>---</td> <td>---</td> </tr> <tr> <td>6.3V</td> <td>7.5%</td> <td>---</td> <td>---</td> </tr> </tbody> </table> <p>Y5V :</p> <table border="1" style="width: 100%; border-collapse: collapse;"> <thead> <tr> <th>Rated volt.</th> <th>DF \leq</th> </tr> </thead> <tbody> <tr> <td>25~250V</td> <td>7%</td> </tr> <tr> <td>16V</td> <td>9%</td> </tr> <tr> <td>10V</td> <td>12.5%</td> </tr> </tbody> </table>	Rated volt.	DF \leq	Exception of DF \leq		$\geq 50V$	2.5%	3%	0603 $\geq 47nF$	25V	3.5%	---	---	16V	3.5%	5%	0402 $\geq 33nF$ 0603 $\geq 150nF$ 0805 $\geq 680nF$	10V	5.0%	---	---	6.3V	7.5%	---	---	Rated volt.	DF \leq	25~250V	7%	16V	9%	10V	12.5%
Rated volt.	DF \leq	Exception of DF \leq																																	
$\geq 50V$	2.5%	3%	0603 $\geq 47nF$																																
25V	3.5%	---	---																																
16V	3.5%	5%	0402 $\geq 33nF$ 0603 $\geq 150nF$ 0805 $\geq 680nF$																																
10V	5.0%	---	---																																
6.3V	7.5%	---	---																																
Rated volt.	DF \leq																																		
25~250V	7%																																		
16V	9%																																		
10V	12.5%																																		
2	Dissipation Factor (tan δ)	<p>The Capacitance and DF shall be measured at 25°C with HP-4288A</p> <p>NP0 : $C \leq 1000$ pF $1 \pm 0.2V_{rm}$, $f = 1$ MHz; $C > 1000$ pF $1 \pm 0.2V_{rm}$, $f = 1$ kHz;</p> <p>X5R/ X7R/Y5V :</p> <p>$C \leq 10$ μF $1.0 \pm 0.2V_{rm}$ $f = @$ 1kHz $C > 10$ μF $0.5 \pm 0.2V_{rm}$ $f = @$ 120Hz</p>																																	
3	Insulation resistance	<p>The IR shall be measured with HP-4339B at room temperature.</p> <p>Vr (rated voltage) $\leq 500V$ At Vr (rated voltage) for 1 minute Vr (rated voltage) $> 500V$ At 500V for 1 minute</p>	RiCr $\geq 500\Omega \cdot F$, whichever is smaller.																																
4	Dielectric Strength	<p>The withstanding voltage shall be measured with Zentech 9072A.</p> <p>Vr (rated voltage) $\leq 100V$ At 2.5Vr for 5 seconds Vr (rated voltage) $\cong 250V$ At 2Vr+100V for 5 seconds Vr (rated voltage) $\cong 500V$ At 1.5Vr for 5 seconds Vr (rated voltage) $\cong 1000V$ At 1.2Vr for 5 seconds</p>	<p>No breakdown</p> <p>No flashover</p>																																
5	Adhesion	<p>A force of 5 N shall be applied to the line joining the terminations and in a plane parallel to the substrate time: 10 ± 1 s</p>  <p style="margin-left: 150px;">5N, 10 ± 1 s Speed: 1.0mm/s</p>	No visible damage																																
6	Bending Strength	<p>Mounting in accordance with IEC 384 10, para 4.4 conditions: bending 1 mm at a rate of 1 mm/s</p>  <p style="margin-left: 100px;">Pressure Speed: 1mm/sec</p> <p style="margin-left: 100px;">1mm Deflection</p> <p style="margin-left: 100px;">45mm 45mm Supports</p>	<p>No visible damage</p> <p>NPO: $\Delta C/C$ within $\pm 5\%$</p> <p>X7R/X5R: $\Delta C/C$ within $\pm 10\%$</p> <p>Y5V: $\Delta C/C$ within $\pm 30\%$</p>																																

7	Resistance to soldering heat	<p>Preheat the capacitor at 120°C to 150°C for 1 minute. Immerse the capacitor in an eutectic solder solution at 270±5°C for 10±1seconds. After set it at room temperature for 24±2hours (temperature compensation type) or 48±4hours (high dielectric constant type), then measure.</p> <p>*High dielectric constant type : Initial measurement of X7R/X5R and Y5V. Perform a heat treatment at 150±5°C for one hour and then set it at room temperature for 48±4hours. Perform the initial measurement.</p>	<table border="1"> <tr> <td>Dielectric</td> <td>NP0</td> <td>X7R/ X5R</td> <td>Y5V</td> </tr> <tr> <td>Appearance</td> <td colspan="3">No defect</td> </tr> <tr> <td>Capacitance Change</td> <td><±2.5% or <±0.25pF</td> <td>±7.5%</td> <td>±20%</td> </tr> <tr> <td>DF</td> <td colspan="3">The same as No.2</td> </tr> <tr> <td>IR</td> <td colspan="3">More than 500Ω-F (whichever is smaller)</td> </tr> <tr> <td>Dielectric Strength</td> <td colspan="3">No failure</td> </tr> </table>	Dielectric	NP0	X7R/ X5R	Y5V	Appearance	No defect			Capacitance Change	<±2.5% or <±0.25pF	±7.5%	±20%	DF	The same as No.2			IR	More than 500Ω-F (whichever is smaller)			Dielectric Strength	No failure		
			Dielectric	NP0	X7R/ X5R	Y5V																					
Appearance	No defect																										
Capacitance Change	<±2.5% or <±0.25pF	±7.5%	±20%																								
DF	The same as No.2																										
IR	More than 500Ω-F (whichever is smaller)																										
Dielectric Strength	No failure																										
8	Resistance to leaching	The capacitors are dipped into the solder at 260±5 °C for 30±1 seconds, and then check the soldering by measuring the areas covered with solder.	95% of the terminations are to be soldered evenly and continuously.																								
9	Solder ability of termination	Zero hour test, and test after storage (20 to 24 months) in original atmosphere in normal atmosphere; un-mounted chips completely immersed for 2 ± 0.5 s in a solder bath of 235 ± 5°C.	95% of the termination is to be soldered evenly and continuously.																								
10	Rapid change of temperature	<p>NPO/X7R: -55°C to +125°C, 5 cycle</p> <p>X5R: -55°C to +85°C, 5 cycle</p> <p>Y5V: -25°C to +85°C, 5 cycle</p> <p>Duration: 30 mins.</p> <p>Recovery: 24 ± 2 hrs.</p>	<p>No visible damage after 24 h recovery</p> <p>Class I NPO: ΔC/C ≤ 2.5 % or ± 0.25 pF</p> <p>Class II X7R/X5R: ΔC/C ≤ ±15 %</p> <p>Y5V: ΔC/C ≤ ±20 %</p>																								
11	Damp heat, steady state	500±12hours at 40±2°C; 90 to 95 % RH	<p>No visible damage after 24 ± 2 (NPO) or 48 ± 4 hours recovery</p> <p>Class I (NPO)</p> <p>1. ΔC/C ± 5 % or 1 pF, whichever is greater</p> <p>2. C<10pF ; Q ≥ 200+10C 10≤C≤30pF ; Q≥275+5/2C C>30pF ; Q≥350</p> <p>3. IR ≥ 4000 MΩ or RiCR ≥ 40ΩF, whichever is less</p> <p>Class II (X7R/X5R)</p> <p>1.ΔC/C within ± 15 %</p> <p>2.tan δ ≤ 7%</p> <p>3.R ≥ 2000 MΩ or RiCR ≥50ΩF, whichever is less</p> <p>Class II (Y5V)</p> <p>1.ΔC/C within ± 30 %</p> <p>2.50/25V: tan δ ≤ 9%</p> <p>16V: tan δ ≤ 12.5%</p> <p>10V: tan δ ≤ 15%</p> <p>3.IR ≥ 2000 MΩ or RiCR ≥50ΩF, whichever is less</p>																								
12	Endurance	<p>1000 h at maximum temperature</p> <p>Vr (rated voltage) ≤ 250V At 2×Vr Vr (rated voltage) = 500V At 1.5Vr Vr (rated voltage) > 500V At 1.2Vr C>0.1UF,At1.5Vr</p>	<p>No visible damage after 24 ± 2 (NPO) or 48 ± 4 hours recovery</p> <p>Class 1 (NPO)</p> <p>1. ΔC/C ± 2 % or 1 pF, whichever is greater</p> <p>2. tan δ ≤ 2 x specified value</p> <p>3. IR ≥ 4000 MΩ or RiCR ≥40ΩF, whichever is less</p> <p>Class 2 (X7R/X5R)</p> <p>1.ΔC/C within ± 15 %</p> <p>2.tan δ ≤ 7%</p> <p>3.IR ≥ 2000 MΩ or RiCR ≥50ΩF,whichever is less</p> <p>Class 2 (Y5V)</p> <p>1.ΔC/C within ± 30 %</p> <p>2.50/25V: tan δ ≤ 9%</p> <p>16V: tan δ ≤ 12.5%</p> <p>3.IR ≥ 2000 MΩ or RiCR ≥50ΩF, whichever is less</p>																								

5 Packing

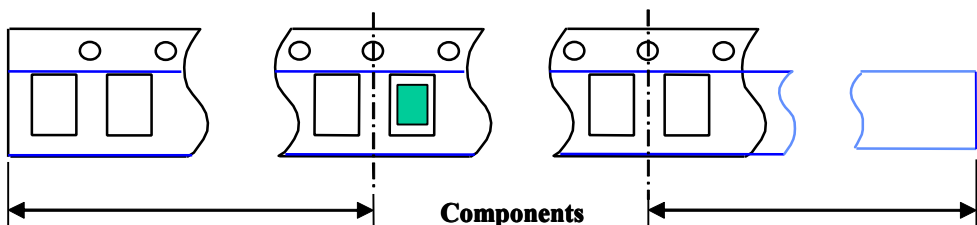
Paper Tape $T \leq 1.1$ mm

Embossed Tape $T \leq 2.60$ mm



All dimensions in mm

Size	Symbol					
	A	B	P	L	T(Paper)	T(Embossed)
0402	0.62±0.05	1.12±0.05	2.00±0.05	8.00±0.20	0.60±0.05	N/A
0603	1.10±0.10	1.90±0.10	4.00±0.10	8.00±0.20	1.00±0.05	N/A
0805	1.65±0.05	2.40±0.05	4.00±0.10	8.00±0.20	1.00±0.05	N/A
1206	2.00±0.10	3.50±0.10	4.00±0.10	8.00±0.20	1.00±0.05	Max.2.0
1210	2.80±0.20	3.70±0.20	4.00±0.10	8.00±0.20	N/A	Max.2.0
1808	2.50±0.30	4.90±0.30	4.00±0.10	12.0±0.20	N/A	Max.2.5
1812	3.60±0.30	4.90±0.30	8.00±0.10	12.0±0.20	N/A	Max.2.5

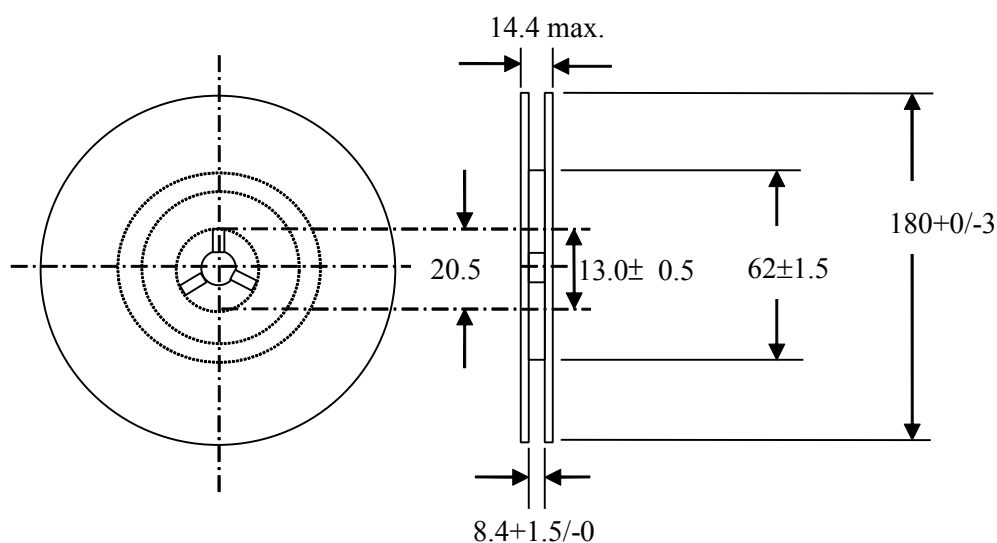


No Components, 180~220 mm

sealed with cover tape

No Components, 220~260 mm

EIA Reel Dimension



All dimensions in mm

Standard Packing Quantity per Reel

Chip Size	Thickness(mm)	Code	Amount per reel	
			Paper	Embossed
0402	0.50 ± 0.05	A	10K	—
0603	0.80 ± 0.10	C	4K	—
0805	0.60 ± 0.10	B	4K	—
	0.80 ± 0.10	C	4K	—
	1.25 ± 0.20	E	—	2K/3K
1206	0.60 ± 0.10	B	4K	—
	0.80 ± 0.10	C	4K	—
	1.25 ± 0.20	E	—	2K/3K
	1.60 ± 0.20	D	—	2K
1210	1.25 ± 0.20	E	—	2K/3K
	1.60 ± 0.20	D	—	2K
	2.00 ± 0.20	K	—	2K
1808	1.25 ± 0.20	E	—	2K/3K
	1.60 ± 0.20	D	—	2K
	2.00 ± 0.20	K	—	2K
1812/2220/2225	1.25 ± 0.20	E	—	1K
	1.60 ± 0.20	D	—	1K
	2.00 ± 0.20	K	—	1K
	2.40 ± 0.20	G	—	700PCS
	2.80 ± 0.20	H	—	500PCS

6.1 Capacitor Classification

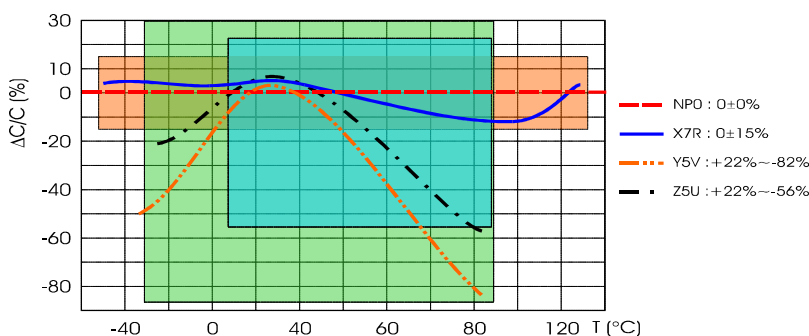
Multi-layer ceramic capacitors are available in wide range of characteristics. Electronic Industries Association (EIA) and the military have established categories to help divide the basic characteristics into more easily specified classes. The basic industry specification for ceramic capacitor is EIA specification RS-198 and as noted in the general section, it specifies temperature-compensating capacitors as class I capacitors. These are specified by the military under specification MIL-C-20. General-purpose capacitors with non-linear temperature coefficients are called Class II capacitors by EIA and specified by military under MIL-C-11015 and MIL-C-39014. The new high reliability military specification, MIL-C-123 covers both class I and class II dielectrics.

Class I — Class I capacitors or temperature-compensating capacitors are usually made from mixtures of titanates where barium titanate is normally not a major part of mix. They have predictable temperature coefficients and in general, do not have an aging characteristic. Thus they are the most stable capacitor available. Normally the T.C.s of Class I temperature-compensating capacitors are NP0 (± 30 ppm/ $^{\circ}$ C).

Class II — General-purpose ceramic capacitors are called Class II capacitors and have become extremely popular because of the high capacitance values available in very small size. These capacitors are ferroelectrics and vary in capacitance value under the influence of the environmental and electrical operating conditions. Class II capacitors are affected by temperature, voltage, frequency and time. Temperature effects for Class II ceramic capacitors are exhibited as non-linear capacitance changes with temperature. Industry standards for Mid-K dielectrics, such as X7R/X5R and High-K dielectrics, such as Z5U.

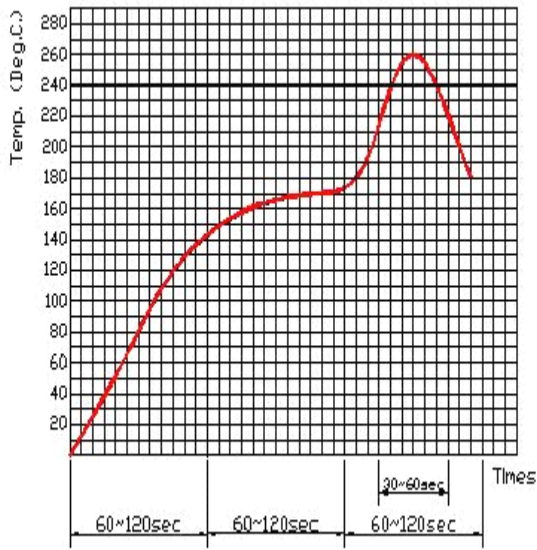
6.2 The Characterization of Materials

Designation	Class	Temperature Range ($^{\circ}$ C)	Temp. Characteristics
NPO(COG)	I	-55 ~ +125	± 30 ppm/ $^{\circ}$ C
X7R	II	-55 ~ +125	± 15 %
X5R	II	-55 ~ +85	± 15 %
Y5V	II	-25 ~ +85	-82 ~ +22 %

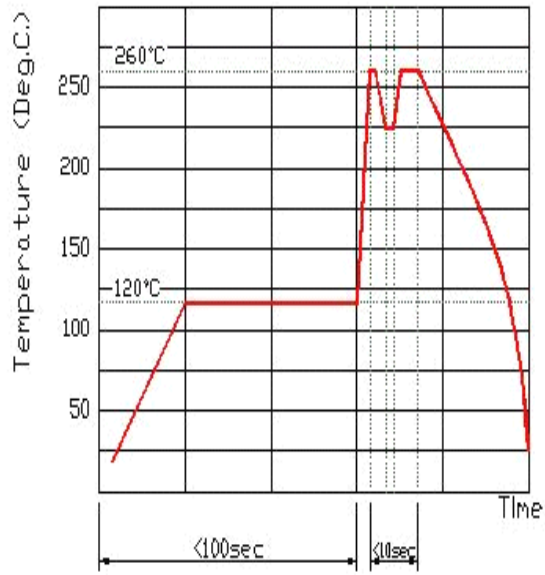


The T.C curve of each material (for reference)

6.3 Recommend IR reflow and wave soldering profile(Pb-Free)



Typical profile band of IR reflow



Typical profile band of wave soldering