

PORH5022P



◆ 特征 Feature

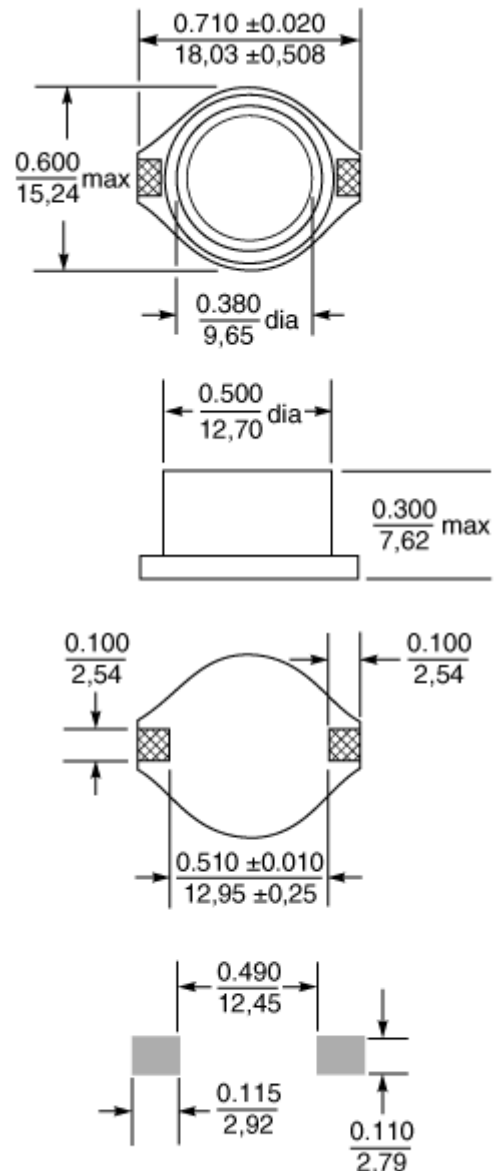
- 闭磁功率电感。
Magnetically shielded.
- 较高的设计电流，达到饱和电流 18A，温升电流 6.5A。
Designed for higher currents-up to 18A Isat, 6.5A Irms.
- 极小的直流电阻值，且功率损失小。
Very low DCR keeps power losses to a minimum.

型号 Part number	电感量 Inductan	直流电阻 DCR	自谐频率 SRF	饱和电流 Isat	温升电流 Irms
Units	(μ H) \pm 20%	(Ω) max	(MHz) typ	(A) 30% drop	(A) 40°C rise
PORH5022P-102ML_	1.0	0.016	130	18.0	6.5
PORH5022P-222ML_	2.2	0.023	70	14.0	5.0
PORH5022P-332ML_	3.3	0.026	60	12.5	4.7
PORH5022P-472ML_	4.7	0.028	40	11.5	4.4
PORH5022P-562ML_	5.6	0.030	33	10.8	4.1
PORH5022P-103ML_	10	0.040	30	8.0	3.9
PORH5022P-153ML_	15	0.048	20	7.0	3.4
PORH5022P-223ML_	22	0.059	18	6.0	3.1
PORH5022P-333ML_	33	0.075	14	5.0	2.8
PORH5022P-473ML_	47	0.097	10	4.0	2.4
PORH5022P-683ML_	68	0.138	9.0	3.0	2.0
PORH5022P-104ML_	100	0.207	7.0	2.4	1.7
PORH5022P-154ML_	150	0.293	6.0	2.1	1.3
PORH5022P-224ML_	220	0.47	5.0	1.9	1.1
PORH5022P-274ML_	270	0.64	4.5	1.4	0.95
PORH5022P-334ML_	330	0.78	4	1.1	0.86
PORH5022P-474ML_	470	1.08	3.0	1.1	0.73
PORH5022P-684ML_	680	1.40	2.5	0.96	0.64
PORH5022P-824ML_	820	1.70	2.2	0.88	0.58
PORH5022P-105ML_	1000	2.01	2.0	0.80	0.53

※ 饱和电流：电感值下降到标准值的 80% 时的电流值。
Isat: This indicates the value of DC current when the inductance decreases to 80% of its nominal value.

※ 温升电流：线圈温度上升 $\Delta T=40^{\circ}\text{C}$ 时的电流值（基准温度 $T_a=20^{\circ}\text{C}$ ）
Irms: The current when temperature of coil becomes $\Delta T=40^{\circ}\text{C}$. ($T_a=20^{\circ}\text{C}$)

◆ 外形尺寸 Dimension



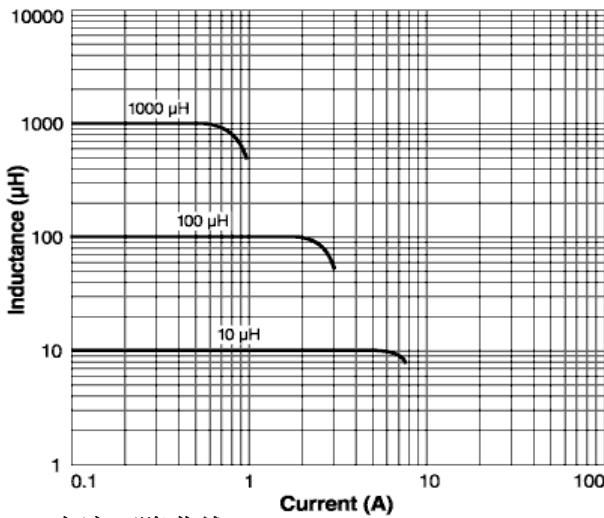
Recommended Land Pattern

Dimensions are in $\frac{\text{inches}}{\text{mm}}$

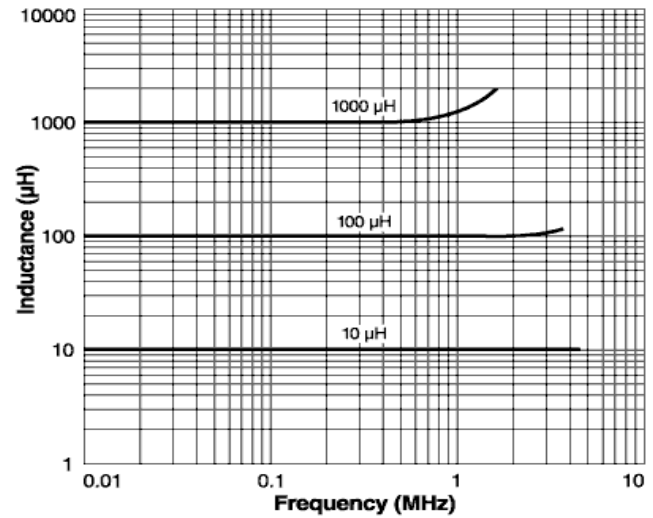
continued on next page 接下一页

continued from previous page 接上页 PORH5022P

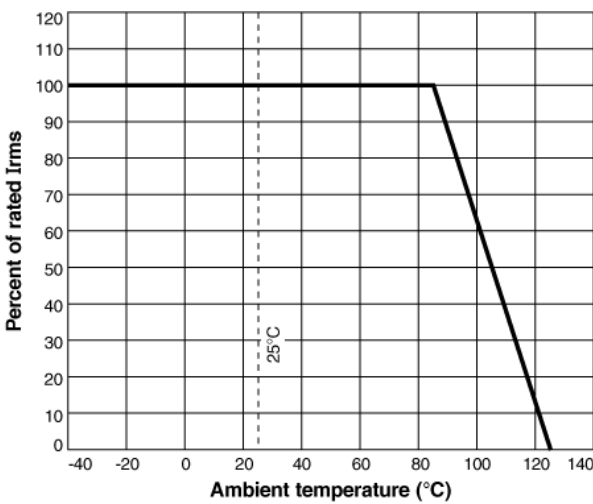
◆ 电感值 vs 电流曲线
Typical L vs Current



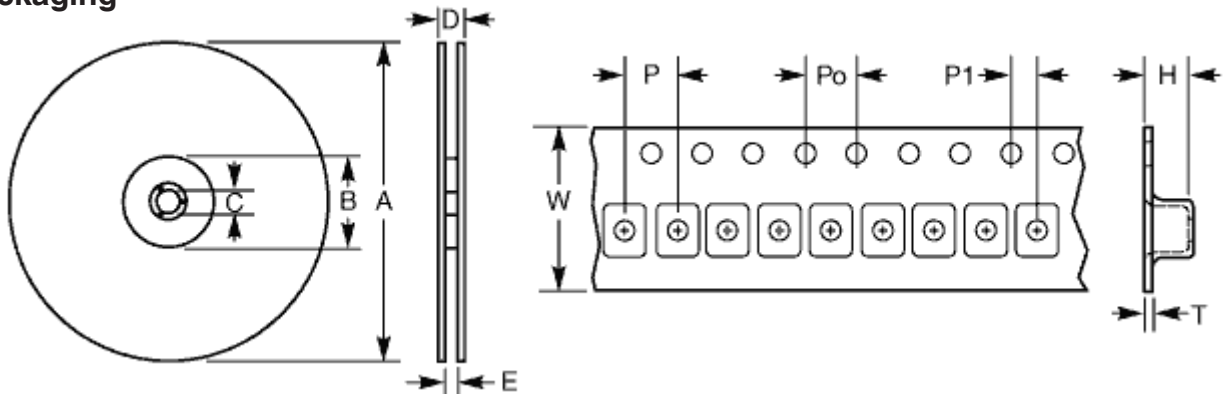
◆ 电感值 vs 频率曲线
Typical L vs Frequency




◆ 电流下降曲线
Irms Derating



◆ 包装方式
Packaging



每盘数量 Parts per reel	卷盘尺寸 Reel dimensions (mm)					卷带尺寸 Tape dimensions (mm)						方向 Orientation
13" (330 mm)	A	B	C	D	E	W	P	Po	P1	H	T	
250	330	100	13	38,4	32,4	32	24	4	2	7,8	0,38	