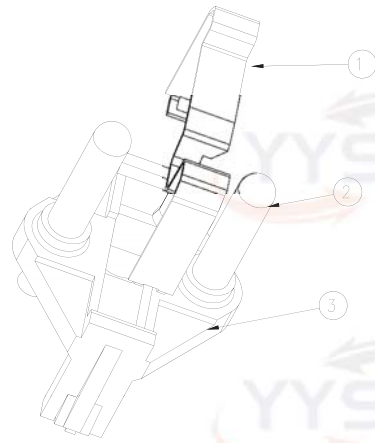
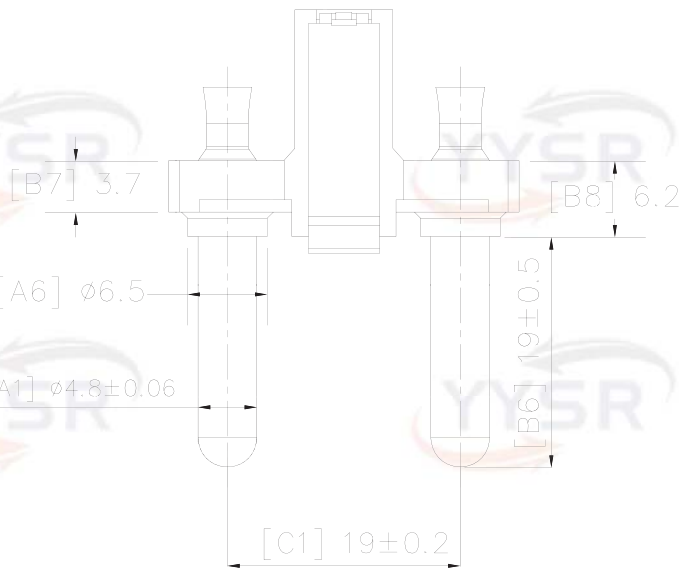
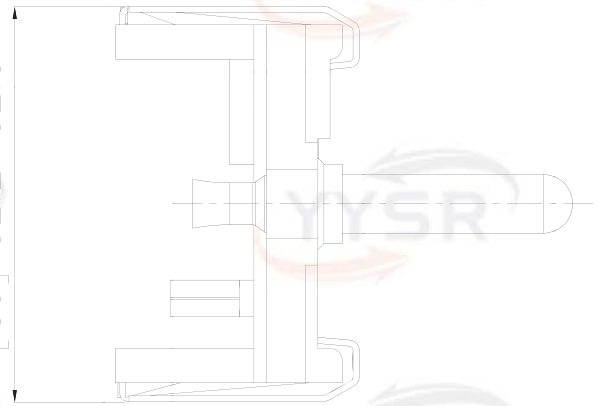
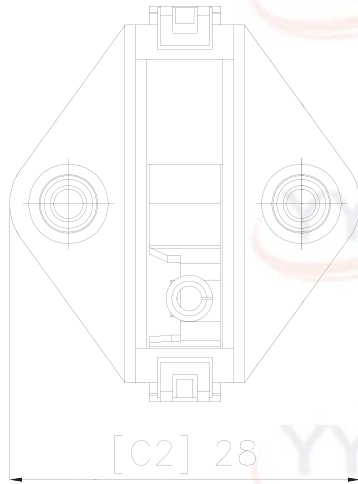


L100-SL

Cixi Yinsheng Electronic Components Factory



Tel: 0086-574-63741948
 Fax: 0086-574-56655007
 Email: info@ysplug.com
 http://www.ysplug.com
 http://www.yinshengdianzi.cn



3		Material	PBT+30%GF,black/white	
2	4831A.1	L/N Pin	H62~65 &=0.5 Plated Nickel	2pc
1	TA50.1	Earth Contact	H62~65 &=0.5 Plated Nickel	1pc
No.	Part No.	Part Name	Description	Qty.

Note:
 1. Material of insulation: PBT+30%GF(Black/White)
 2. Material of pins: H62~65 brass
 Earth contact: H62~65 brass
 3. Finish: Plated Nickel(1.2um Min.)
 4. The pins are not turn when a torque of 0.4N.M is applied in both clockwise & anticlockwise direction.
 5. Voltage Proof: 2000V/1min 0.5mA without failure.
 6. without indentation, damage
注:
 1. 原材料—塑料: 高阻燃 PBT 塑料 (黑色/白色)
 2. 铜材: H62~65 高档铜材 3. 涂层: 镀镍 (最小厚度 1.2um)
 4. 扭力: 大于或等于 0.4N.M 5. 耐压: 2000V 1min 不击穿
 6. 外观无明显缺陷

By	戎南松	<p>寅升电子</p>	
Date	03/13-2013		
Check	周娇娇		
App			
Material:	N/A	Engineering Drawing	
Model	YS-00T	Title	Turkey plug insert
物料编码		产品名称	土耳其支架
版本号		版本号	A