

CATEGORY	DESCRIPTION	P/N #
CONNECTOR	RU45+Transformer 1000Mbps With LED	MJ1B-B211-RNL11T001-1

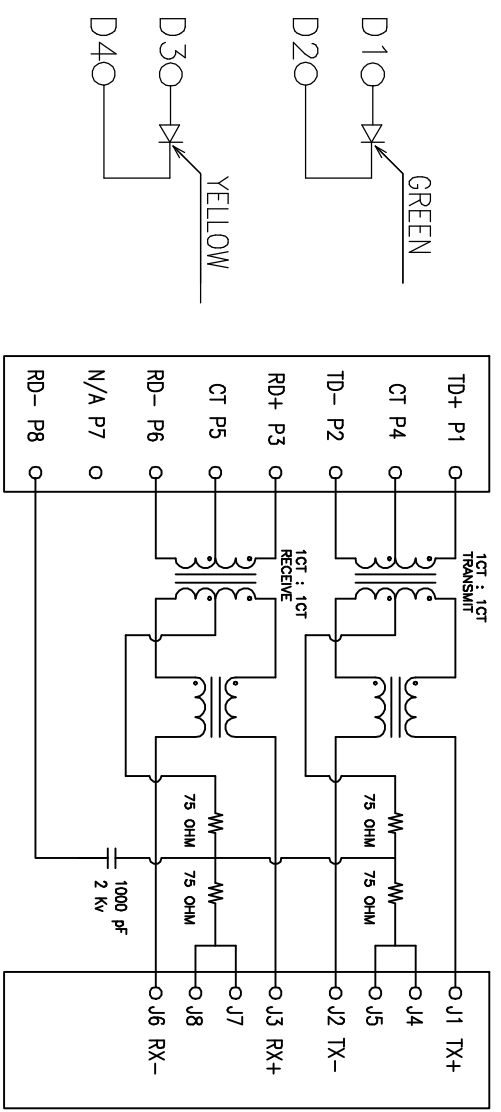
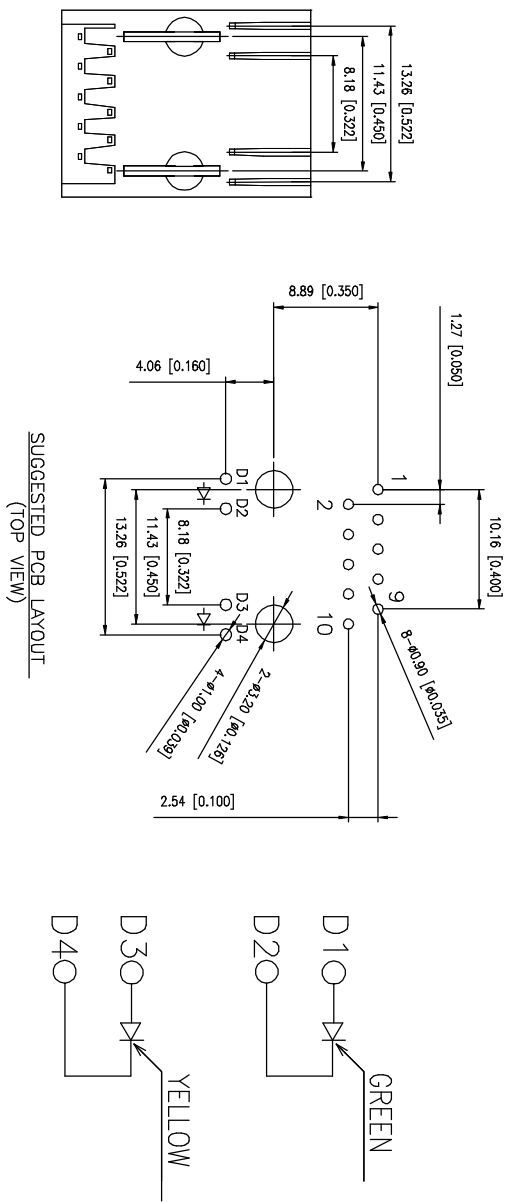
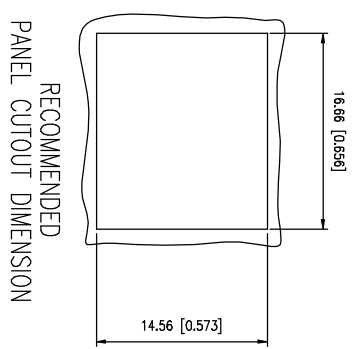
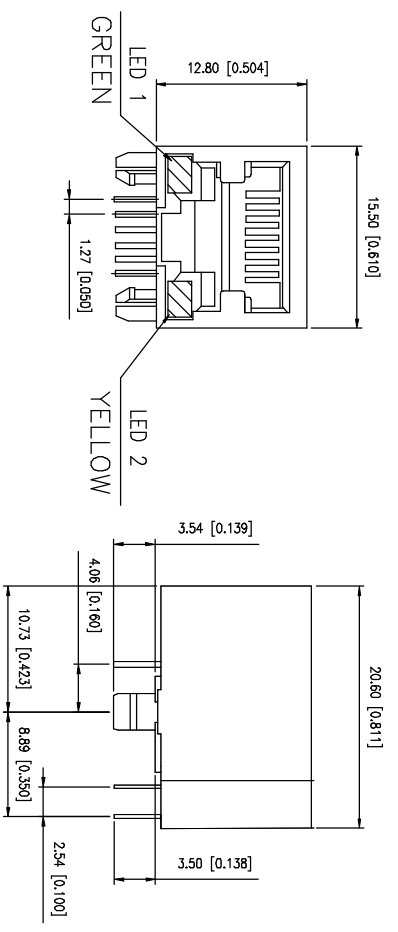
原料料號: MJ001B-B211-RNL11T1
變型料號為: MJ1B-B211-RNL11T001-1

REV.	ECN NO	DESCRIPTION	REVISED	DATE
R01		New Release	Kelly	2009.9.16

ELECTRICAL SPECIFICATIONS @ 25°C+/-5°C unless otherwise noted:

Insertion Loss: 1-100MHZ -1.0dB MAX
 Return Loss: 1-30MHZ -16.0dB MIN
 30-60MHZ -14.0dB MIN
 60-80MHZ -10.0dB MIN

Cross Talk: 1-30MHZ -40.0dB MIN
 30-60MHZ -35.0dB MIN
 60-80MHZ -30.0dB MIN



CMR:1-100MHZ -35.0dB MIN
 Hi-Pot: 1500V AC 6S 1mA
 OCL:350uH MIN @ 100KHZ 100mV 8mA DC
 Turn Ratio: 1CT:1CT+/-3% Housing Material: PBT Black
 Operating temperature range:0°C to +70°C
 Contacts: 0.35mm thick phos bronze plated with 6u' gold in contact area

Product Drawing
DongGuan Heling Electronic Co.,LTD

SCALE:1/1	UNIT: mm	DWG.NO:
SIZE: A3	PAGE:1 OF 1	REV:A
UNLESS OTHERWISE SPECIFIED TOLERANCES		HL-TR-001
UNIT: mm		
.XX :±0.25		
.XXX :±0.13		
APPROVED BY	CHECKED BY	PREPARED BY
Tony	Bill	Kelly

CUSTOMER COPY