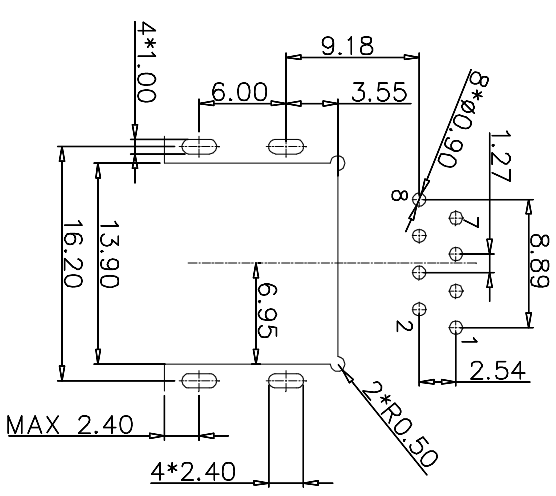
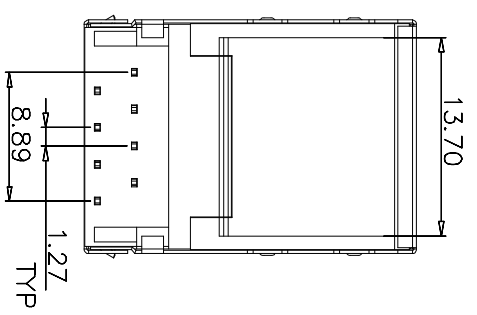
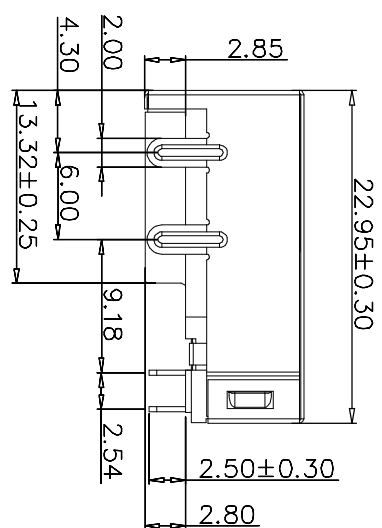
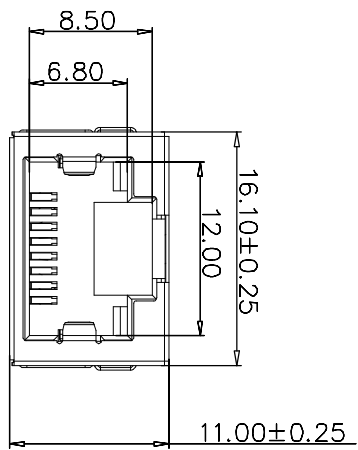


CATEGORY	DESCRIPTION	P/N #
CONNECTOR	RJ45+Transformer 10/100Mbps	M16-B211-QRVT62

原料号: M1002-B211-QRVT62
变更后料号: M16-B211-QRVT62

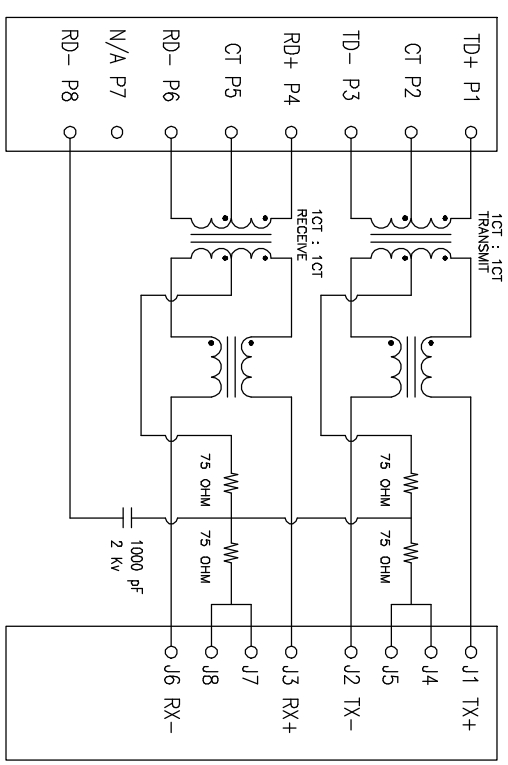
REV.	ECN NO	DESCRIPTION	REVISED	DATE
R01		New Release	Kelly	2012.5.13



RECOMMENDED PCB LAYOUT

ELECTRICAL SPECIFICATIONS @ 25°C+/-5°C unless otherwise noted:

Insertion Loss: 1-100MHZ -1.0dB MAX
 Return Loss: 1-30MHZ -16.0dB MIN
 30-60MHZ -14.0dB MIN
 60-80MHZ -10.0dB MIN
 Cross Talk: 1-30MHZ -40.0dB MIN
 30-60MHZ -35.0dB MIN
 60-80MHZ -30.0dB MIN



CMR:1-100MHZ -35.0dB MIN
 HI-Pot: 1500V AC 6S 1mA
 OCL:350uH MIN @ 100KHZ 100mV 8mA DC
 Turn Ratio: 1CT:1CT+/-3% Housing Material: PBT Black
 Operating temperature range:0°C to +70°C
 Contacts: 0.35mm thick phos bronze plated with 6u' gold in contact area

Product Drawing
DongGuan Heling Electronic Co.,LTD

UNLESS OTHERWISE SPECIFIED TOLERANCES	SCALE:1/1	UNIT: mm	DWG.NO:
UNIT: mm	SIZE: A3	PAGE:1 OF 1	HL-TR-001
.XX ±:0.25	REV:A	CHECKED BY	PREPARED BY
.XXX ±:0.13	APPROVED BY	Bill	Kelly

CUSTOMER COPY