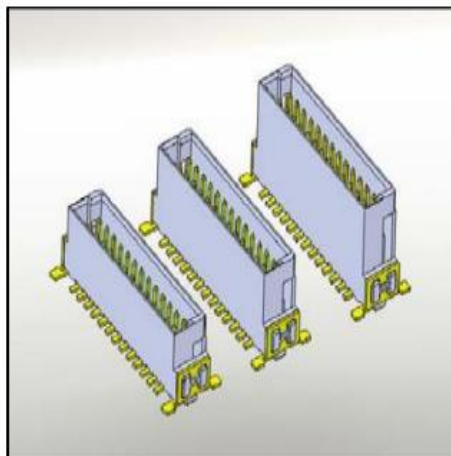


1.27mm Pitch Connectors, Male, Vertical SMT Type

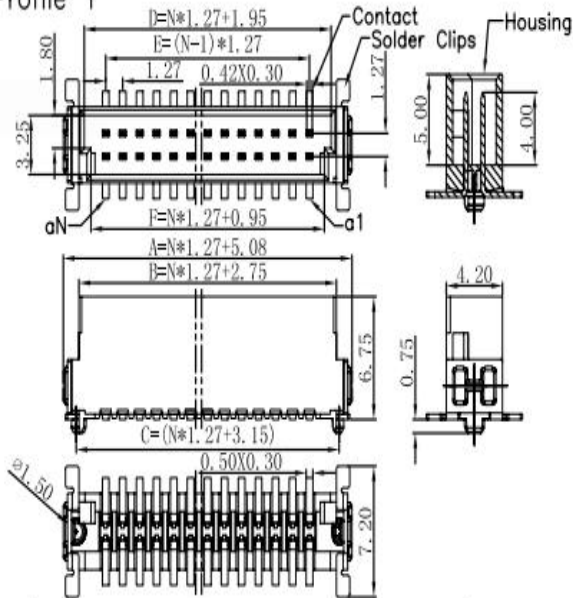
Technical Data :

Insulator Material:	High Temperature Thermoplastic, LCP, UL 94V-0
Contact Material:	stamped and formed, Phosphor Bronze
Clip Material:	stamped and formed, Brass
Contact Plating:	Au or PdNi+Au over Nickel
Clip Plating:	Matt Sn over Nickel
Air- and creepage distance:	0.4mm
Insulator resistance :	10000 Megohms min.
Dielectric withstanding :	AC 500V for 1 Minute.
Operating Temperature:	-55°C to +125°C.
Max. processing Temp:	230°C for 30-60 seconds. 260°C for 10 seconds.
Mates with :	912.913

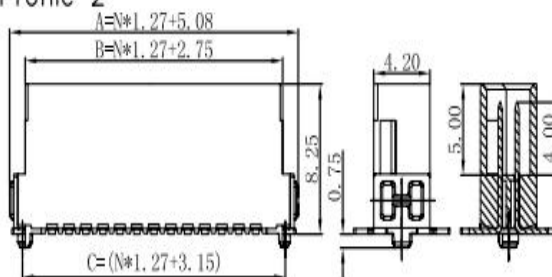
RoHS Compliant



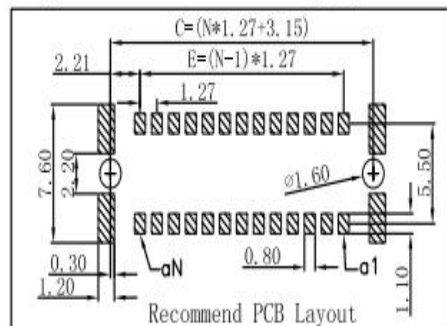
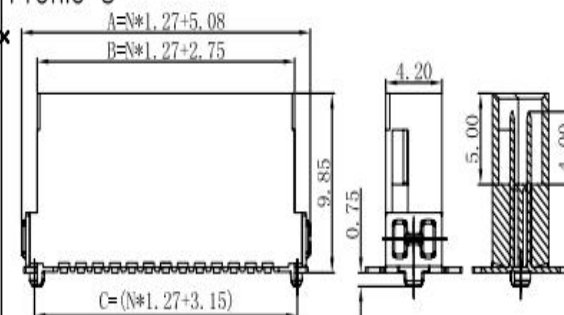
Profile 1



Profile 2



Profile 3



Current Rating :

No of pos	Ambient Temp		
	20°C	70°C	100°C
12	1.6A	1.1A	0.7A
26	1.3A	0.9A	0.6A
50	1.1A	0.8A	0.5A
68	1.0A	0.8A	0.5A
80	1.0A	0.8A	0.5A