

GDT Product Specification

B5G***L DIP Gas Discharge Tube (Φ 5.5×6mm)

RoHS

1、FEATURES

- 2-Electrode DIP Design UL Certificated E232249
- High Current Handling Capability 5,000A @ 8/20μs
- Low Capacitance and Insertion Loss
- Fast Response and Long Service Life
- Reliable to Protect Electrostatic Surge



2、AVAILABLE PART NUMBER AND ELECTRICAL PARAMETER @ T=25°C RH = 45%-75%

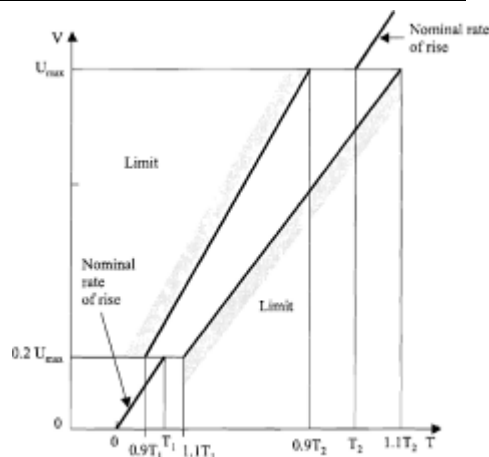
Part Number	DC Breakdown Voltage①	Tolerance of Vs	Impulse Spark-over Voltage	Impulse Discharge Current②	Insulation Resistance		C③ (1MHz)
	100V/s④		1kV/μs④	8/20μs	GΩ	DC	0.3V _{DC}
B5G070L	70V	±25%	≤650V	5,000A	≥1	25V	≤1pF
B5G090L	90V	±25%	≤650V	5,000A	≥1	50V	≤1pF
B5G150L	150V	±25%	≤ 600V	5,000A	≥1	50V	≤1pF
B5G200L	200V	±20%	≤ 550V	5,000A	≥1	100V	≤1pF
B5G230L	230V	±20%	≤ 550V	5,000A	≥1	100V	≤1pF
B5G300L	300V	±20%	≤ 700V	5,000A	≥1	100V	≤1pF
B5G350L	350V	±20%	≤ 750V	5,000A	≥1	100V	≤1pF
B5G420L	420V	±20%	≤ 800V	5,000A	≥1	100V	≤1pF
B5G470L	470V	±20%	≤ 850V	5,000A	≥1	250V	≤1pF
B5G600L	600V	±20%	≤ 950V	5,000A	≥1	250V	≤1pF
B5G800L	800V	±20%	≤ 1200V	5,000A	≥1	250V	≤1pF
B5G1000	1000V	±20%	≤ 1400V	3,000A	≥1	250V	≤1pF
B5G1500	1500V	±20%	≤ 2500V	3,000A	≥1	250V	≤1pF
B5G2000	2000V	±20%	≤ 3000V	3,000A	≥1	250V	≤1pF
B5G2500	2500V	±20%	≤ 3500V	3,000A	≥1	250V	≤1pF
B5G3000	3000V	±20%	≤ 4000V	3,000A	≥1	250V	≤1pF
B5G3600	3600V	±20%	≤ 4700V	3,000A	≥1	250V	≤1pF
B5G4000	4000V	±20%	≤ 5500V	3,000A	≥1	250V	≤1pF
B5G4500	4500V	±20%	≤ 6000V	3,000A	≥1	250V	≤1pF
B5G5500	5500V	±20%	≤ 7500V	3,000A	≥1	250V	≤1pF

- ①、The parameters of all are tested by ITU-T K12
- ②、Total Impulse Discharge Current 5,000A @ 8/20μs by IEC 61000-4-5, 10 shots
- ③、The capacitance are tested by 1MHz @ DC= 0.3V
- ④、The V-T waveform of DCBV and IPBV must lie between the shades.

3、PART NUMBERING SYSTEM

B5G XXX L
 (1) (2) (3)

- ①、5G-Φ5.5×6 (mm)
- ②、8G-Φ8×6 (mm)



GDT Product Specification

B5G***L DIP Gas Discharge Tube (Φ 5.5×6mm)



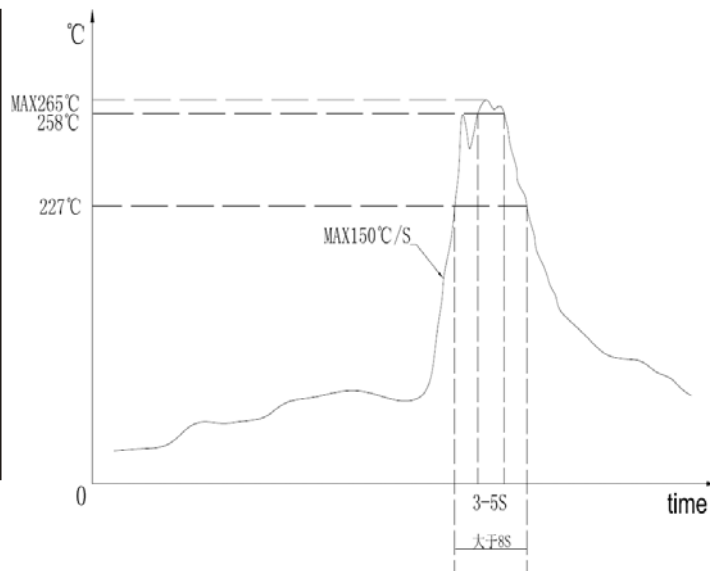
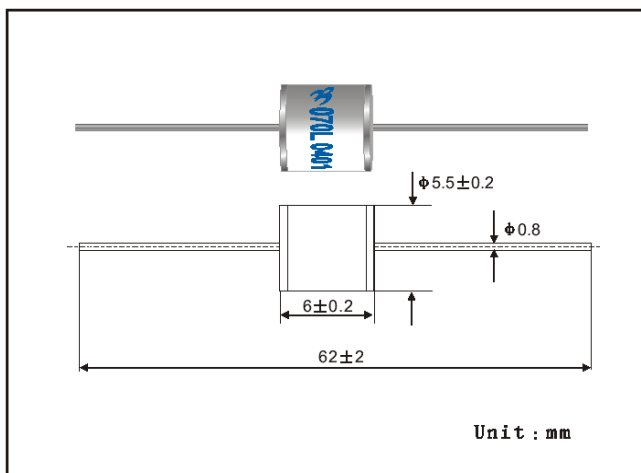
(2) DC Breakdown Voltage, e.g., 070=70V

(3) Surge Rating @8/20 μ s, L=5KA

4、 DIMENSIONS RECOMMENDED FLOW AND MARKING

Dimensions

Recommended Flow



Surface Mark

070L-Part Number

0401-Production Date

04:Year 2004

01:Month 1/January

6、 PACKAGE BOX INFORMATION

OUTLINE	BOX/REEL (PCS)	INSIDE CARTON (PCS)	PER CARTON (PCS)	CARTON SIZE(mm)		
				L	W	H
BOX	100	1,000	6,000	385	355	220
TAPING	1,000	—	6,000	480	350	360

Remark:

Special Notes

Date Issued:2009/06