

General Specification

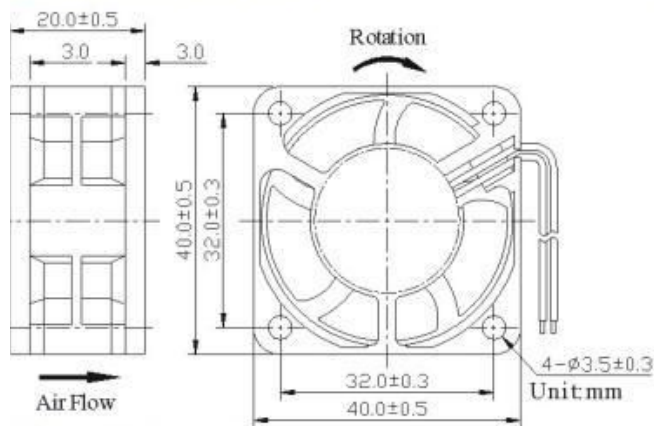
- ◆ Frame and Impeller: Thermal Plastic, UL94 V-0
- ◆ Lead Wires: UL Type
(+): Red (-): Black
- ◆ Operation Temperature: $-10^{\circ}\text{C}\sim 70^{\circ}\text{C}$,
35%~85%RH
- ◆ Storage Temperature: $-40^{\circ}\text{C}\sim 80^{\circ}\text{C}$,
35%~85%RH



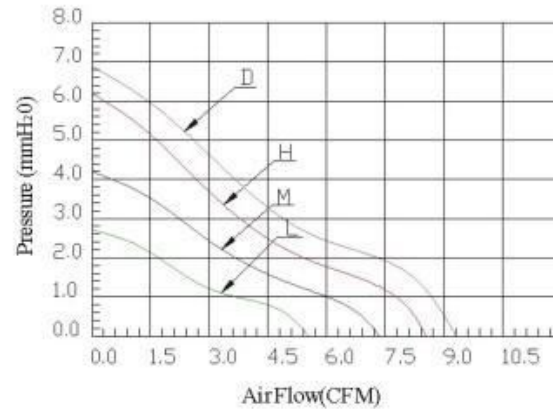
Motor protection

- ◆ Impedance Protected
- ◆ Reverse Polarity Protected
- ◆ Automatic Restart.

Dimensions Drawing



Performance Curves



Specifications

Listed Model	Bearing System	Rated Voltage	Operation Voltage	Rated Current	Rate d Speed	Air Flow	Static Pressure	Noise Level	Available Features Optional				Weight
		VDC	VDC	A	RPM	CFM	mmH ₂ O	dBA	Tachometer Output	Rotation Detector	Thermal Control	Pulse Width Modulation	
SED40 20S 5A	Sleeve	5	3.5~5.75	0.35	8000	9.3	6.9	33					27g
SEH40 20S 5A			3.5~5.75	0.24	7500	8.6	6.1	32					
SEM40 20S 5A			3.5~5.75	0.21	6200	6.9	4.2	27					
SEL40 20S 5A			3.5~5.75	0.18	5000	5.7	2.7	22					
SED40 20B 5A	Ball		3.5~5.75	0.35	8000	9.3	6.9	33					
SEH40 20B 5A			3.5~5.75	0.24	7500	8.6	6.1	32					
SEM40 20B 5A			3.5~5.75	0.21	6200	6.9	4.2	27					
SEL40 20B 5A			3.5~5.75	0.18	5000	5.7	2.7	22					
SED40 20S 1A	Sleeve	12	6.0~13.8	0.17	8000	9.3	6.9	33					
SEH40 20S 1A			6.0~13.8	0.12	7500	8.6	6.1	32					
SEM40 20S 1A			6.0~13.8	0.09	6200	6.9	4.2	27					
SEL40 20S 1A			6.0~13.8	0.07	5000	5.7	2.7	22					
SED40 20B 1A	Ball		6.0~13.8	0.17	8000	9.3	6.9	33					
SEH40 20B 1A			6.0~13.8	0.12	7500	8.6	6.1	32					
SEM40 20B 1A			6.0~13.8	0.09	6200	6.9	4.2	27					
SEL40 20B 1A			6.0~13.8	0.07	5000	5.7	2.7	22					
SED40 20S 2A	Sleeve	24	12.0~27.6	0.12	8000	9.3	6.9	33					
SEH40 20S 2A			12.0~27.6	0.09	7500	8.6	6.1	32					
SEM40 20S 2A			12.0~27.6	0.06	6200	6.9	4.2	27					
SEL40 20S 2A			12.0~27.6	0.05	5000	5.7	2.7	22					
SED40 20B 2A	Ball		12.0~27.6	0.12	8000	9.3	6.9	33					
SEH40 20B 2A			12.0~27.6	0.09	7500	8.6	6.1	32					
SEM40 20B 2A			12.0~27.6	0.06	6200	6.9	4.2	27					
SEL40 20B 2A			12.0~27.6	0.05	5000	5.7	2.7	22					

Notes: All readings are typical values at rated voltage. Specifications subjected to change without notice.